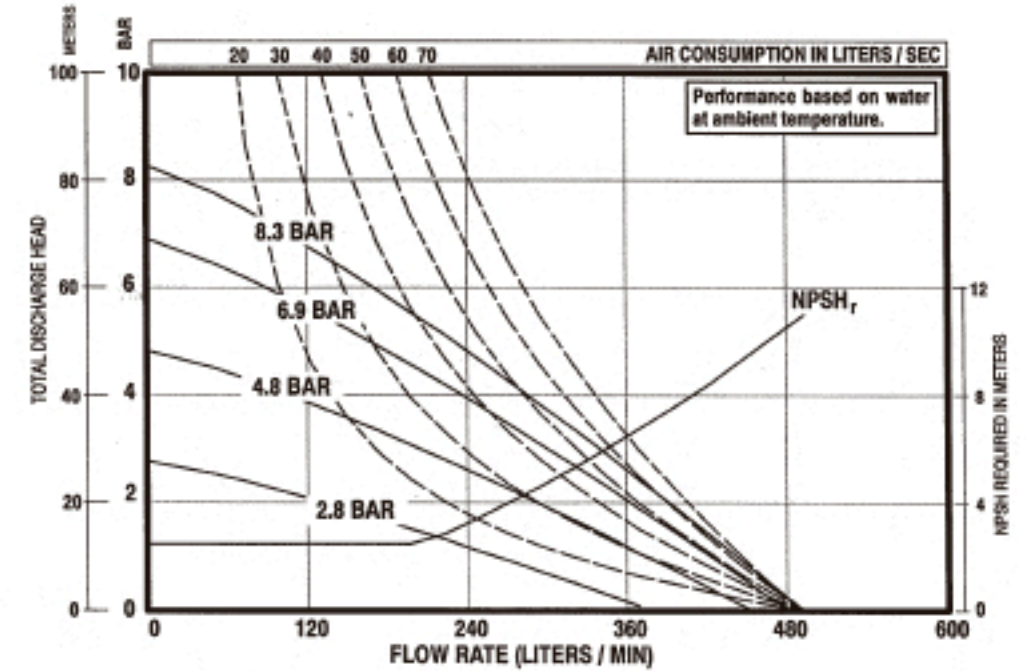
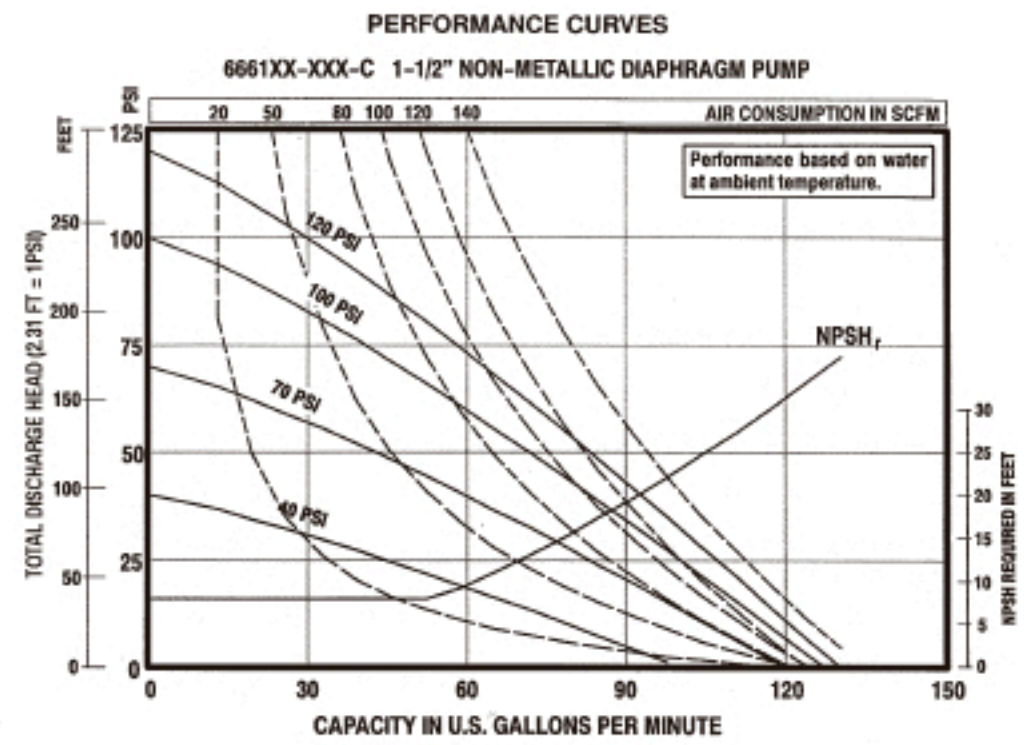


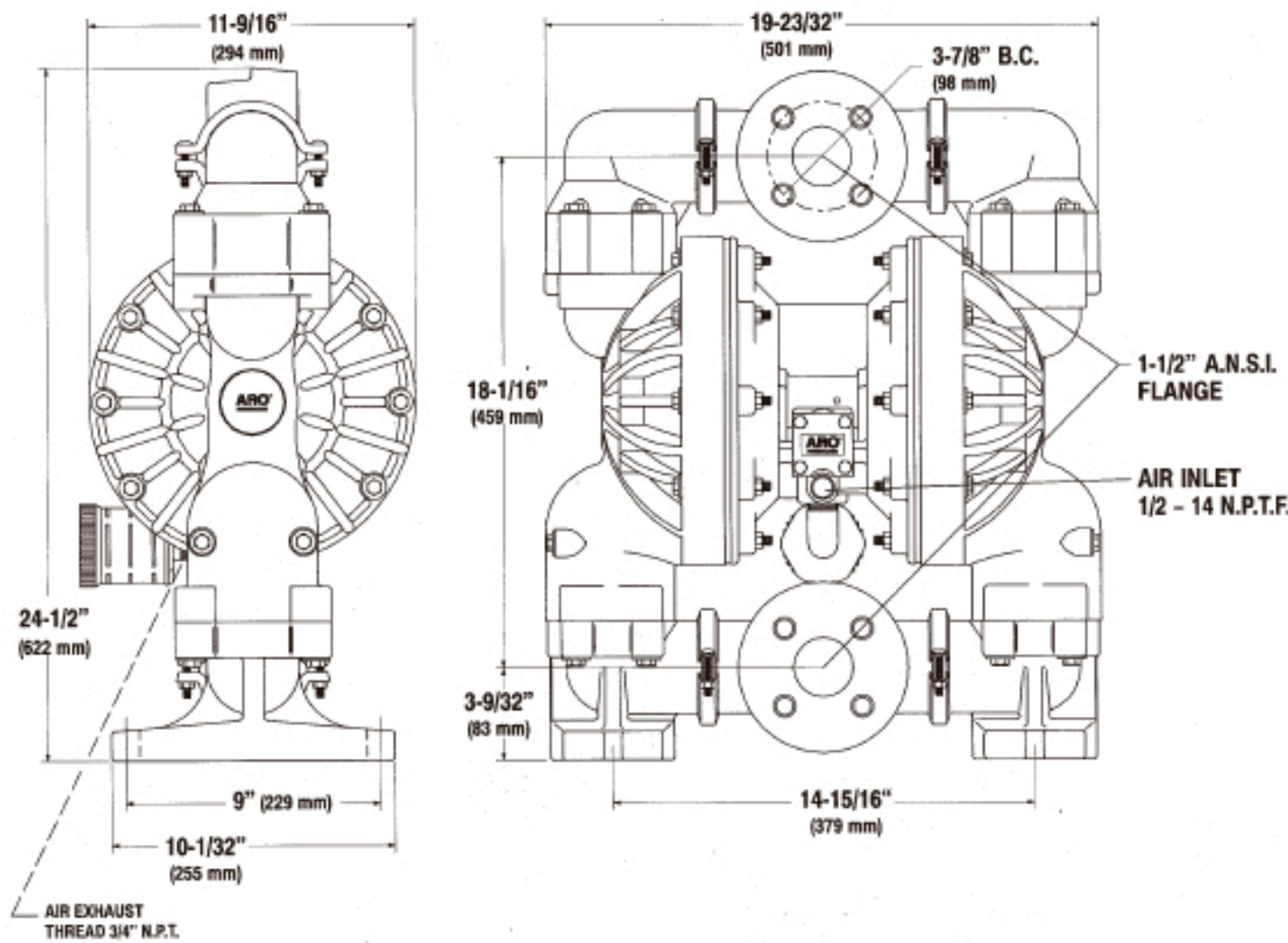
Performance Specifications

RATIO:	1:1
MAXIMUM G.P.M. (Liters):	100 (379)
DISPLACEMENT GALLONS (Liters) PER CYCLE:	.72 (2.7)
AIR INLET:	1/2-inch NPT (F)
FLUID INLET:	ANSI Class 150, 1-1/2-inch Pipe Flange
FLUID OUTLET:	ANSI Class 150, 1-1/2-inch Pipe Flange
MAX. OPERATING PRESSURE PSI (bar):	120 (8.3)
SUSPENDED SOLIDS MAX. DIA. IN. (mm):	1/4-inch (6.4)
WEIGHT - LBS. (Kg):	62 (28) Polypropylene 92 (42) Kynar(PVDF) For Cast Iron center section add 23 lbs. (10.4 kg)
MAX. DRY SUCTION LIFT:	14 ft. (Rubber fitted)



DIAPHRAGM

Dimensional Data



Accessories

Recommended Filter/Regulator
(See Page 36)

Filter / Regulator: P29241-610
67079 - Polypropylene Flange Kit
1-1/2" NPT (F)

For complete airline connection kit, see page 32, item "B".
Pulsation Dampener, see page 25.

For Diaphragm Pump
Accessories see pages 32-34.

For recommended key models, refer to the ARO diaphragm pump price book (Form 2240-2). If the specific model you seek is not in the price book, consult the factory for further selection assistance.



P29241-610

Ordering

Best Selling Models | 6661T3-3EB-C, 6661U3-344-C, 6661T3-344-C, 6661U4-444-C

Base Model	Air Motor	Wetted Parts	Check Valve Seats	Ball Check/ Diaphragm	C
6 6 6 1	X	X	X	X X	-
 1-1/2" Pump	 T Aluminum U Cast Iron	 3 Polypropylene 4 Kynar (PVDF)	 3 Polypropylene 4 Kynar (PVDF) 8 400 SS (400, Hardened)	 22 Nitrile/Nitrile 44 Teflon/Teflon EB Santoprene/Santoprene	

All hardware is 300 Series Stainless Steel.

Perfect for aggressive chemicals

