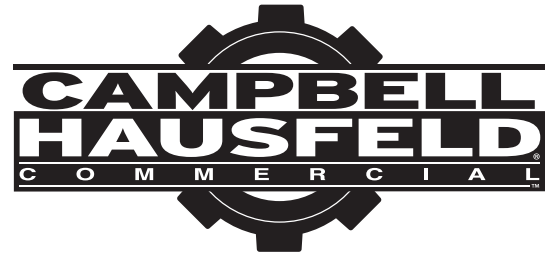


Gasoline Powered Pressure Washers



MODELS: PW2770, PW3270, PW4070



Figure 1

Specifications

Model	Honda Engine	CAT Pump	Pressure	Flow	Nozzle
PW2770	GX160	4DNX25GSI	2750 psi / 18,961 kPa	2.5 GPM	#3.0
PW3270	GX270	4SPX32GII	3200 psi / 22,063 kPa	3.0 GPM	#3.5
PW4070	GX390	67DX39GII	4000 psi / 247,579 kPa	3.5 GPM	#3.5

Please record Model Number and Serial Number for use when contacting the manufacturer:

Model No.: _____

Serial No.: _____

Purchase Date: _____

Purchase Place: _____

For information about this product, call 1-800-330-0712.

Description

These powerful and durable gasoline pressure washers are designed for commercial projects. They are great for projects in maintenance shops, farms, and commercial buildings like concrete drives/sidewalks and heavy equipment.

All carts are durable steel construction, welded and powder-coated for longevity. These pressure washers are proudly built in Kentucky with heavy-duty, reliable Honda engines and commercial-grade pumps.

READ & FOLLOW ALL INSTRUCTIONS

**SAVE THESE INSTRUCTIONS
DO NOT DISCARD**

Safety Guidelines

This manual contains information that is very important to know and understand. If you have any questions, please call 1-800-330-0712 for customer assistance. This information is provided for SAFETY and to PREVENT EQUIPMENT PROBLEMS. To help recognize this information, observe the following symbols.



⚠ DANGER *Danger indicates an imminently hazardous situation which, if not avoided, WILL result in death or serious injury.*

⚠ WARNING *Warning indicates a potentially hazardous situation which, if not avoided, COULD result in death or serious injury.*

⚠ CAUTION *Caution indicates a potentially hazardous situation which, if not avoided, MAY result in minor or moderate injury.*

NOTICE *Notice indicates important information, that if not followed, may cause damage to equipment.*

NOTE: Information that requires special attention.

Safety Guidelines (Continued)

General Safety Information

Safety Symbols

The following Safety Symbols appear throughout this manual to alert you to important safety hazards and precautions.



Read Manual First



Risk of Explosion



Risk of Fire



Risk of Falling



Risk of Personal Injury



Wear Eye and Hearing Protection


▲ WARNING When using tools, basic precautions should always be followed, including the following:

CALIFORNIA PROPOSITION 65

▲ WARNING This product or its power cord may contain chemicals, including lead, known to the State of California to cause cancer and birth defects or other reproductive harm. Wash hands after handling.

▲ WARNING You can create dust when you cut, sand, drill or grind materials such as wood, paint, metal, concrete, cement, or other masonry. This dust often contains chemicals known to cause cancer, birth defects, or other reproductive harm. Wear protective gear.

GENERAL SAFETY





- To reduce the risks of electric shock, fire, and injury to persons, read all the instructions before using the tool. Failure to follow warnings, dangers, and cautions could result in DEATH or SERIOUS INJURY. 
- Be thoroughly familiar with the controls and the proper use of the equipment. Follow all instructions. Contact your Campbell Hausfeld representative if you have any questions.
- Only persons well acquainted with these rules of safe operation should be allowed to use the unit.
- Follow all safety codes as well as the Occupational Safety and Health Act (OSHA).

WORK AREA

- Keep operation area clear of all persons.
- To reduce the risk of injury, close supervision is necessary when the product is used near children.
- Do not operate the tool in explosive atmospheres, such as in the presence of flammable liquids, gases, or dust. The tool is able to create sparks resulting in the ignition of the dust or fumes.
- NEVER spray flammable liquids or use pressure washer in areas containing combustible dust, liquids, or vapors.

- Never operate this machine in a closed building or in or near an explosive environment.

PERSONAL SAFETY

- Stay alert. Watch what you are doing and use common sense when operating the tool. Do not use the tool while tired or under the influence of drugs, alcohol, or medication. A moment of inattention while operating the tool increases the risk of injury to persons.  
- Dress properly. Do not wear loose clothing or jewelry. Contain long hair. Keep hair, clothing, and gloves away from moving parts. Loose clothes, jewelry, or long hair increases the risk of injury to persons as a result of being caught in moving parts.
- Do not overreach. Keep proper footing and balance at all times. Proper footing and balance enables better control of the tool in unexpected situations.  
- Keep clear of nozzle. NEVER direct high pressure spray at a person, animal, or yourself.
- NEVER put hand or fingers over the spray nozzle while operating the unit.
- NEVER try to stop or deflect leaks with any body part. 

▲ WARNING Risk of injection or severe injury. Keep clear of nozzle. Do not discharge streams at persons. This product is to be used only by trained operators. Always remove lance from gun before cleaning debris from nozzle.

▲ WARNING The operator and all other personnel in the work area must wear ANSI Z87 eye protection during operation of tool use. When operating and performing equipment maintenance, other appropriate protection equipment such as head, hearing protection, gloves, rubber boots, and protective clothing must be used when required. Serious eye or permanent hearing loss could result.

TOOL USE AND CARE

▲ WARNING Do not use pressure that exceeds the operating pressure of any of the parts (hoses, fittings, etc.) in the pressurized system. Ensure all equipment and accessories are rated to withstand the maximum working pressure of the unit.

▲ WARNING Explosion hazard:

- Maintain the tool with care. A properly maintained tool reduces the risk of problems and is easier to control.
- Ensure safety devices are operating properly before each use. DO NOT remove or modify any part of the gun or unit.
- NEVER operate the machine without all components properly connected to the machine (handle, gun/wand assembly, nozzle, etc.).
- Know how to stop this product and bleed pressure quickly. Be thoroughly familiar with the controls.
- ALWAYS engage the trigger safety latch in the safe position when spraying is stopped even if only for a few moments.

Safety Guidelines (Continued)

- f. NEVER permanently engage the trigger mechanism on the gun.
- g. ALWAYS follow detergent manufacturer's label recommendations for proper use of detergents. Always protect eyes, skin, and respiratory system from detergent use.
- h. NEVER disconnect the high pressure discharge hose from the machine while the system is pressurized. To depressurize machine, turn power and water supply off, then press the gun trigger 2-3 times.
- i. Do not remove fuel tank cap or fill fuel tank while engine is hot or running (allow engine to cool two minutes before refueling). Always fill the tank slowly.
- j. Follow the maintenance instructions specified in the manual.
- k. ALWAYS turn water supply "ON" before turning pressure washer "ON." Running pump dry causes serious damage.
- l. Do not operate the pressure washer with the inlet water screen removed. Keep screen clear of debris and sediment.
- m. NEVER operate pressure washer with broken or missing parts. Check equipment regularly and repair or replace worn or damaged parts immediately.
- n. Use only the nozzles supplied with this machine.
- o. NEVER leave the wand unattended while the machine is running.
- p. ALWAYS hold gun and wand firmly when starting and operating the machine.
- q. NEVER allow the unit to run with the trigger released (off) for more than one minute. Resulting heat buildup will damage the pump.
- r. NEVER store the pressure washer outdoors or where it could freeze. Freezing temperatures can seriously damage the pump.
- s. NEVER tamper with the engine governor or attempt to alter factory settings. Altering factory settings could damage the unit and will void the warranty.

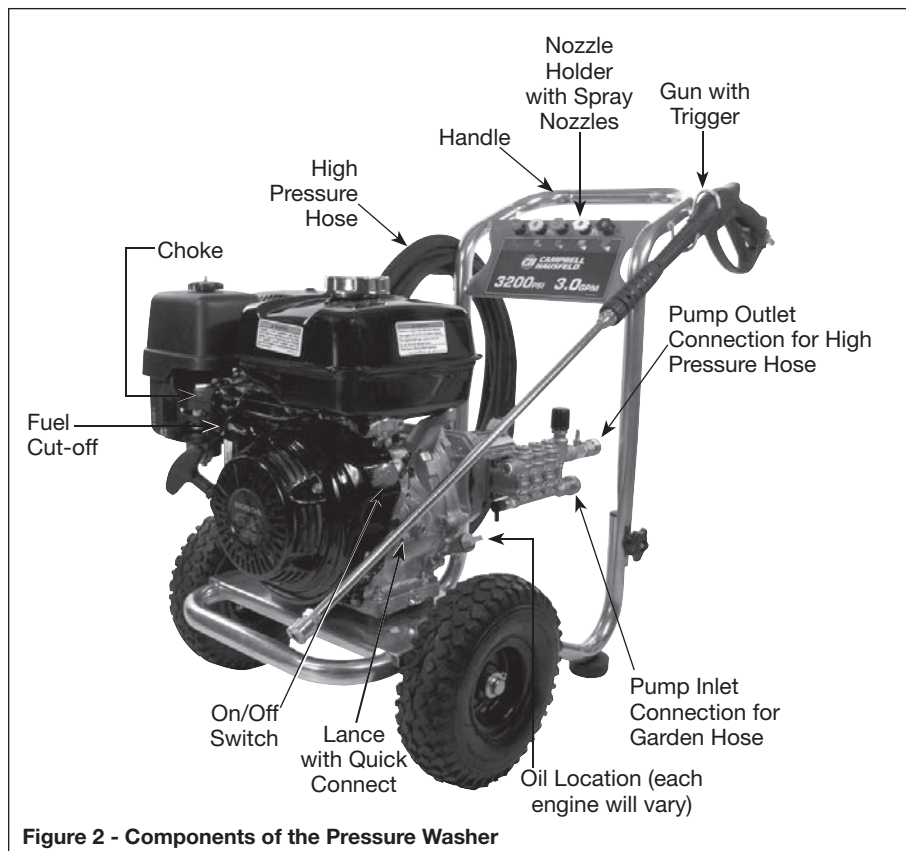
SERVICE

- a. **When servicing a tool, use only identical replacement parts. Use only authorized parts.**

The **DANGER, WARNING, CAUTION, and NOTICE** notifications and instructions in this manual cannot cover all possible conditions and situations that may occur. It must be understood by the operator that caution is a factor which cannot be built into this product, but must be supplied by the operator.

**SAVE THESE INSTRUCTIONS
DO NOT DISCARD**

Getting To Know Your Pressure Washer

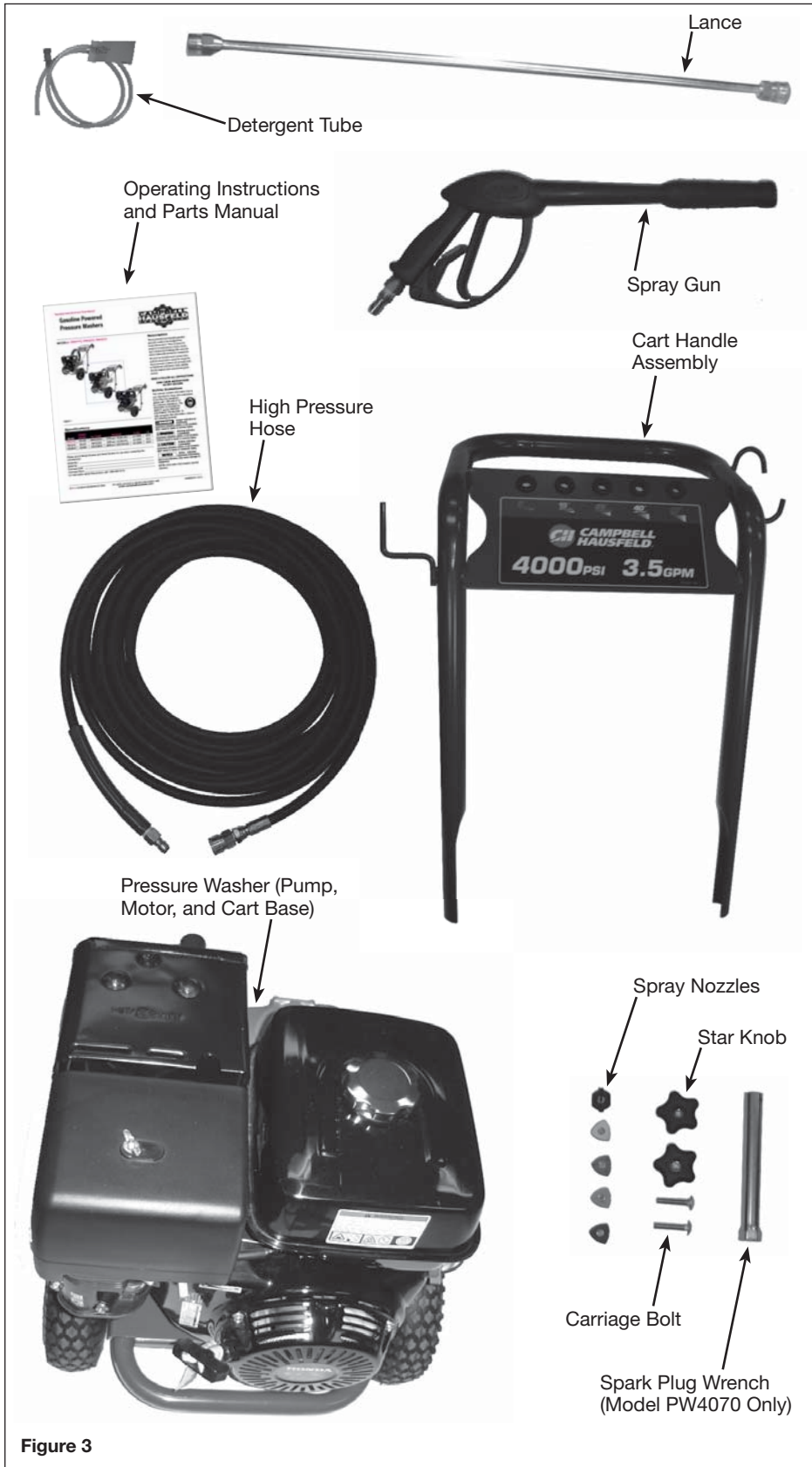


RECOMMENDED USES FOR THIS PRESSURE WASHER

- ◆ Patio
- ◆ Siding
- ◆ Concrete
- ◆ Metal
- ◆ Vehicles
- ◆ Home exteriors
- ◆ Building exteriors
- ◆ Deck
- ◆ Brick
- ◆ Asphalt
- ◆ Wood
- ◆ Garage/Shops

Figure 2 - Components of the Pressure Washer

Unpacking



After unpacking the unit, inspect carefully for any damage that may have occurred during transit. Check for loose, missing or damaged parts. Make sure to tighten fittings, bolts, etc., before using the pressure washer. Check to be sure all supplied accessories are enclosed with the unit. If any parts are missing, **DO NOT RETURN THE UNIT TO THE RETAILER.** Know the unit's model number (located on the serial number tag on the pressure washer frame) and call 1-800-330-0712 for replacement parts.

⚠ WARNING *Do not operate unit if damaged during shipping, handling or use. Damage may result in bursting and cause injury or property damage.*

CONTENTS IN THE CARTON

- ◆ One pressure washer (pump, motor, and cart base)
- ◆ One cart handle assembly
- ◆ One spray gun and quick connect lance
- ◆ Five spray Nozzles
- ◆ One high pressure hose
- ◆ One detergent hose
- ◆ One pack of nuts, bolts, and manuals

ADDITIONAL ITEMS NOT INCLUDED

- ◆ ANSI Z87 Eye Protection
- ◆ Garden Hose

Figure 3

Assembly and Preoperation

ASSEMBLY AND PRE-OPERATION

1. Slide the handle assembly over the lower legs of the cart base. Use the (supplied) star knob and bolts to secure the handle to the legs (See Figure 4).
2. Slide clear plastic detergent hose onto brass hose barb (See Figure 5).
3. Insert quick connect spray nozzles into rubber holders on front of the placard. (See Figure 6).
4. Secure garden hose (not included) to the inlet connection on pump (See Figure 7).
5. Connect the high pressure hose to the pump outlet (See Figure 8).
6. Attach the lance to the gun (See Figure 9).
7. Install quick connect nozzle (See Figure 10).

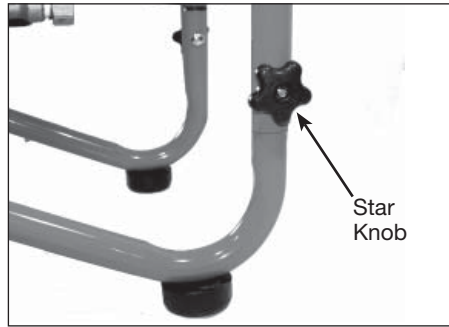


Figure 4 - Assemble handle



Figure 5 - Attach suction tube to barb fitting



Figure 6 - Insert spray nozzles into the holder

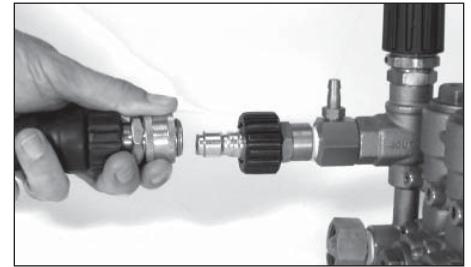


Figure 8 - Connect high pressure hose to pump



Figure 9 - Attach lance to gun

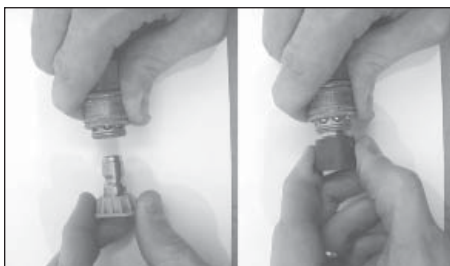


Figure 10 - Quick connect nozzle

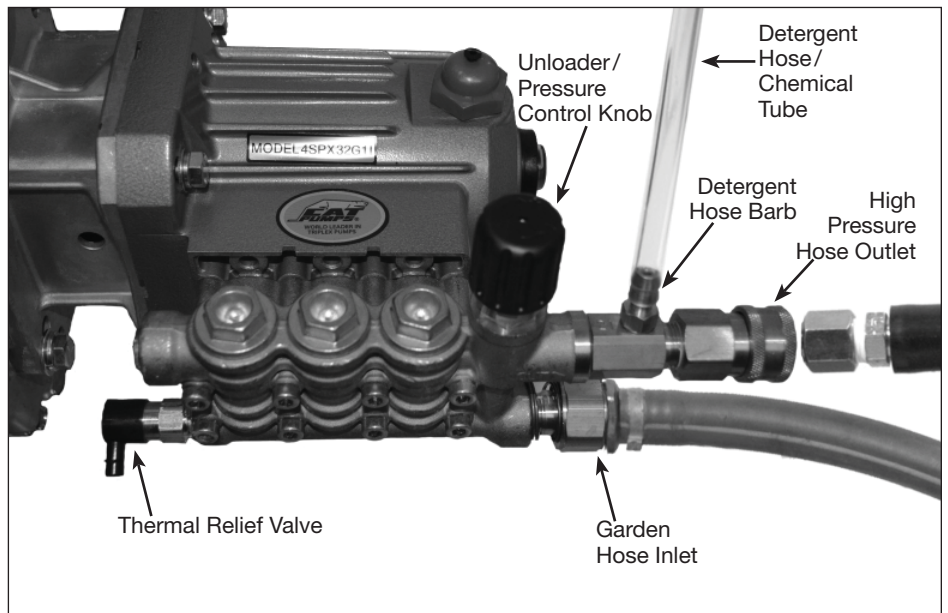


Figure 7 - Pump hook up (PW4070 shown - other models are similar)

TRIGGER SAFETY LATCH

In the engaged position, the trigger safety latch prevents the gun from being triggered accidentally. Push the latch fully up to engage it (See Figure 11 and 12).

Always engage the trigger safety latch when the unit is not in use.



Figure 11 - Trigger locked



Figure 12 - Trigger unlocked

Operation

SURFACE PREPARATION

The following cleaning procedure will help you organize your cleaning task and ensures that you will achieve the best results in the shortest amount of time. Gallons Per Minute (GPM), the more water per minute can mean faster cleaning, especially when washing off materials like mud and road tar. Remember to use the spraying / cleaning techniques mentioned in the following section. Before starting a pressure washer cleaning job, prepare the surface you intend to clean. Clear furniture from the area and make sure that all windows and doors are closed tightly. Also, protect all plants and trees near the cleaning area with a drop cloth. A covering ensures that your plants won't be sprayed by the detergents.

START UP

ALWAYS use this start up procedure to ensure that the unit is started safely and properly.

NOTICE

If water has frozen in the pressure washer, thaw the pressure washer in a warm room before starting. DO NOT pour hot water on or into the pump; internal parts will be damaged.

1. Check engine oil levels. Add oil as necessary.
2. Check fuel level. Add unleaded gasoline (rated 86 octane or higher) as required.

WARNING

DO NOT refuel a hot engine. Refueling a hot engine could cause a fire. Use only fresh, clean regular or unleaded gasoline. Close the fuel shutoff valve during refueling.

3. Attach a garden hose to the inlet side of the pump and connect it to the water supply. Use a hose with an internal diameter (I.D.) of 5/8 in. (1.58 cm) and a length of 50 ft. (15 m) or less.

NOTICE

Some local plumbing codes require backflow prevention when connecting to a fresh water supply. Install a backflow preventer upstream from the pump if necessary.

- a. If inlet water pressure is over 100 psi, install a regulating water valve at the garden hose connection.
- b. Do not exceed 100° F (38° C) inlet water temperature.

NOTE: The inlet water supply must have a minimum flow rate of 5 gpm (19 lpm).

4. Turn the water supply ON.

NOTICE

Never run the unit dry. Be sure the water supply is completely turned on before operating the unit.

5. Trigger the gun until water sprays from the nozzle indicating that all air is purged from the system.
6. Open the fuel shutoff valve by turning the lever to the right / "ON" position. Close the choke (if the engine is cold) by moving the choke lever fully to the left. Move the throttle fully to the left to the "Run" or "Rabbit" position. Turn the ON / OFF switch to the "ON" position (see Figure 13).
7. Start the engine: Grasp the starter rope and brace one foot on the chassis. While squeezing the trigger on the gun, pull the starter rope rapidly and firmly. Continue holding the rope as it returns. Repeat these steps until the engine starts.

CAUTION

When pulling the starter rope, make sure to keep your hand and arm clear of the engine and cart components.

NOTICE

Never let the starter rope return by itself. Doing so could jam the recoil system.

8. If the engine does not start after two or three pulls or if the rope is hard to pull, squeeze the gun trigger to release the pressure that

has built up in the high pressure hose. Repeat Steps 7 and 8 until the engine starts.

INITIAL HIGH PRESSURE RINSE

Spray the cleaning surface with water to clear off any dirt or grime that may have collected on the surface. Doing so allows the detergent to attack the deep down dirt that has worked its way into the cleaning surface.

Trigger the gun 3 to 5 times to get any trapped air out of the system. After the spray becomes constant, you may need to adjust the pressure.

Pressure Adjustment

Please refer to your CAT pump manual for specific pressure adjustment details.

Adjusting the Spray Fan Angle

Five quick connect nozzles are included with this pressure washer. The nozzles have a range of spray fan angles, ranging from 0°, narrow high impact, to a 40° wide fan spray.

Pressure can also be adjusted by moving closer or further away from the cleaning surface and by adjusting the spray fan angle as shown.

Angle to the Cleaning Surface

When spraying water against a surface, you can generate maximum impact by striking the surface head on. However, this type of impact can cause dirt particles to embed in the surface and can prevent the desired cleaning action.

The optimum angle for spraying water against a cleaning surface is 45°.

Spray water against a surface at a 45° angle to achieve the most beneficial impact force and to efficiently remove debris (see Figure 16).

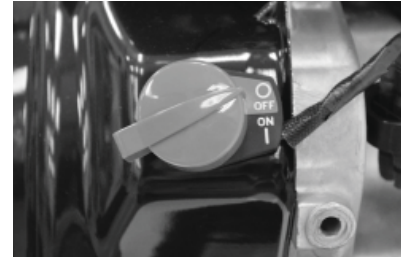


Figure 13 - On/Off switch

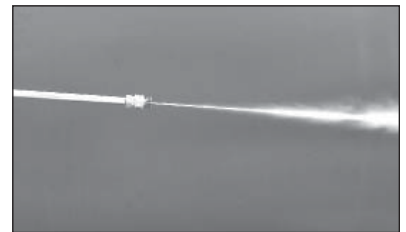


Figure 14 - Narrow high impact stream



Figure 15 - Wide fan pattern



Figure 16 - Optimum angle to cleaning surface

Operation (Continued)

Distance From Cleaning Surface

The distance between the spray nozzle and the cleaning surface is another factor that affects the impact force of the water. The impact force of the water increases as the nozzle is moved closer to the surface.

How to Avoid Damaging Surfaces

Damage to cleaning surfaces occurs because the impact force of the water exceeds the durability of the surface. You can vary the impact force by controlling the spray nozzle angle to the cleaning surface and the distance from the cleaning surface and by changing the spray nozzle. NEVER use a narrow high impact stream on a surface that is susceptible to damage. Avoid spraying windows with a narrow high impact stream. Doing so may break the window. The most sure way to avoid damaging surfaces is to follow these steps:

1. Before triggering the gun, make sure the quick connect nozzle you are using is appropriate for the application.
2. Place the spray nozzle approximately 4-5 feet (1,22-1,52 m) away from the cleaning surface. Then hold the lance and spray nozzle at a 45° angle to the cleaning surface. Trigger the gun.
3. Vary the fan pattern spray angle and the distance to the cleaning surface until optimum cleaning efficiency is achieved without damaging the surface.

DETERGENT APPLICATION

NOTE: Use only detergents formulated for pressure washers. Test detergent in an inconspicuous area before use.

Detergents

The use of detergents can dramatically reduce cleaning time and assist in the removal of difficult stains. Many detergents are customized for pressure washer use on specific cleaning tasks. Pressure washer detergents are as thick as water. Using thicker detergents – like dish soap – will clog the chemical injection system and prevent the application of the detergent.

Once applied to a cleaning surface, detergents take time to break down dirt and grime. Detergents work best when applied at low pressure.

You can effectively clean surfaces by combining the chemical action of detergents with high pressure rinses. On vertical surfaces, apply the detergent starting at the bottom and work your way upward. This method prevents the detergent from sliding down and causing streaks. Begin high pressure rinsing at the top and work your way down. On particularly tough stains, use a brush in combination with detergents and high pressure rinsing.

1. Follow manufacturer's label directions for mixing correct ratios of soap/detergents. The soap detergent to water ration through the pump is approximately 10% (1 to 10).
2. Insert the filter end of the clear plastic detergent tube into the detergent container.
3. Use the black 65° quick connect spray nozzle.

General Cleaning Nozzles

1. Apply the detergent so that it thoroughly covers the cleaning surface. Apply the detergent from bottom to top to prevent the detergent from sliding down and streaking. Wait a couple of minutes for the detergent to break down the dirt and grime. Use a brush to lightly scrub heavily soiled areas. Never allow the detergent to dry on the cleaning surface.
2. To rinse: replace black 65° spray nozzle with another high pressure color nozzle.

▲ WARNING *Never replace quick connect nozzle when gun is triggered. Always engage trigger lock on gun before removing or installing quick connect nozzles.*

3. After using detergents, flush the suction system by placing the detergent suction tube into a bucket of clean water and spraying with the black spray nozzle.

CLEANING POWER

The easiest way to regulate the cleaning power of your pressure washer is by changing the distance from the surface you are cleaning. Begin spraying with a wide fan pattern while standing several feet from the surface. Slowly move closer to the object you are cleaning, adjusting the spray pattern as necessary, until you find the most effective cleaning technique.

NOTE: The unit may also have a pressure adjustment knob on the pump that can adjust the pressure.

FINAL RINSE

The final rinse should start at the top and work downward. Make sure that you thoroughly rinse the surface and that you remove all detergent.

PRESSURE RELIEF PROCEDURE

To reduce the risk of bodily injury or property damage, always follow this procedure whenever spraying is stopped, when work is completed, and before checking or repairing any part of the system.

1. Engage the trigger safety latch.
2. Turn the unit off.
3. Shut off the water supply.
4. Disengage the trigger safety latch and trigger the gun to relieve pressure.
5. Re-engage the trigger safety latch.
6. When checking or repairing unit, remove ignition cable from the spark plug.
7. Before overnight storage, long term storage, or transporting unit, disconnect the water supply and turn off the fuel supply valve.

SHUTDOWN

1. Be sure all detergent is flushed from system.
2. Turn the engine OFF.
3. Turn the water supply OFF.
4. After the motor and water supply are turned off, trigger the gun to depressurize the system.

Operation (Continued)

NOTICE

NEVER turn the water supply off before turning the engine/motor off. Serious damage could occur to the pump and/or engine/motor.

CAUTION

NEVER disconnect the high pressure discharge hose from the machine while the system is pressurized. To depressurize, turn engine/motor off, turn water supply off and squeeze gun trigger 2-3 times.

5. After each use, wipe all surfaces of the pressure washer with a clean, damp cloth.

STORAGE

- Do not store the pressure washer outdoors.
- Do not store the pressure washer where it might freeze unless it has been properly winterized.

Long Term Storage Instructions (more than 30 Days in storage)

1. Remove fuel from the tank and run the pressure washer in a normal operating mode until the engine stops from a lack of fuel. Normal operating mode means actually spraying water from the gun while the engine is running.

Alternate method – Add fuel stabilizer to gas in the tank and run in normal operating mode for at least five minutes.

2. Stop the engine, turn off the water supply, and trigger the gun to release pressure in the high-pressure hose.
3. Disconnect the water supply and high pressure hose from the pump.
4. Allow the engine to cool.
5. Disconnect the spark plug wire and remove the spark plug.
6. Pour 1/2 oz. of engine oil into the spark plug hole.

WARNING

Never pull the starter rope on the engine when the spark plug is removed unless the spark plug hole is covered. Fuel vapor from the hole can ignite by a spark.

7. Place a rag over the spark plug hole and slowly pull the starter rope several times to distribute the oil.

WINTERIZING INSTRUCTIONS

1. Follow and complete the Long Term Storage Instructions above.
2. Disconnect the spark plug wire.
3. Disconnect the high pressure hose from the pump.
4. Insert a 12 in. to 14 in. piece of garden hose into the pump inlet.
5. Place a funnel in the other end of the garden hose.

NOTICE

Read the manufacturer's instructions for safe handling and disposal of RV antifreeze.

6. Pour approximately 6 oz. of RV antifreeze into the funnel.
7. Pull the starter rope several times until the RV antifreeze comes out of the pump outlet.
8. Disconnect the high pressure hose from the gun and drain the hose. Hold the gun and lance in a vertical position and squeeze the trigger to drain the water out.

TIPS FOR EXTENDING THE LIFE OF YOUR PRESSURE WASHER

1. Never operate the unit without water.
2. Your pressure washer is not meant to pump hot water. Never connect your pressure washer to a hot water supply as it will significantly reduce the life of the pump.
3. Running the unit for more than one minute without spraying water causes heat to build up in the pump. Running the unit without spraying water can damage pump components.

Maintenance

Observe regular maintenance intervals to ensure maximum performance and life from the pressure washer. Refer to the schedule for recommended maintenance. If you operate the pressure washer in dusty conditions, perform maintenance checks more often.

ENGINE OIL CHANGING INSTRUCTIONS

CAUTION Before tipping the engine or equipment to drain oil, drain fuel from the fuel tank.

NOTE: Change oil while the engine is cool.

1. Disconnect the spark plug wire from the spark plug.
2. Locate and remove the engine oil drain plug (See Figure 21).
3. Drain old oil.
4. Replace the drain plug and set the unit upright.
5. Refill the unit with new oil of a recommended type and quantity. Fill the unit to the bottom edge of the oil fill neck.

PUMP OIL CHECKING / CHANGING INSTRUCTIONS

Please refer to provided CAT Pump Specification page provided with your Pressure Washer for details.

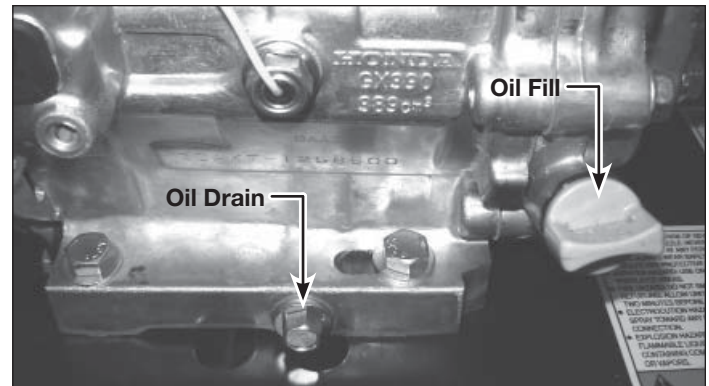


Figure 17 - Oil drain and fill locations

MAINTENANCE SCHEDULE

MAINTENANCE SCHEDULE	ACTION NEEDED
Daily	<ul style="list-style-type: none"> • Check water inlet screen and filter. • Check engine oil levels. Fill as necessary. • Check gasoline level. Fill as necessary.
After first 5 hours of operation	<ul style="list-style-type: none"> • Change engine break-in oil. Use 10W-30 automotive detergent oil. See your Honda Owner's manual for specific information.
Every 25 hours of operation	<ul style="list-style-type: none"> • Change oil if operating under heavy load or high ambient temperature. • Clean or replace paper air cleaner cartridge. Tap gently to remove dirt.
Every 50 hours of operation	<ul style="list-style-type: none"> • Change oil. • Replace spark plug.
Each 100 hours of operation or every 3 months	<ul style="list-style-type: none"> • Replace paper air cleaner cartridge. • Change engine oil.

TECHNICAL AND CONSUMER INFORMATION

HORIZONTAL ORIENTED PRESSURE WASHERS	
Engine Oil Type	SAE 10W-30 (See Honda's Owner Manual)
Engine Oil Capacity	
Honda GX160	20 fl. oz.
Honda GX270	37 fl. oz.
Honda GX390	37 fl. oz.
Engine Fuel Capacity	
Honda GX160	3.3 US quarts (3.1 L)
Honda GX270	5.6 US quarts (5.3 L)
Honda GX390	6.4 US quarts (6.1 L)
Pump Oil Type	CAT pump oil
Pump Oil Capacity	
CAT Pumps	
4DNX25	8.5 fl. oz.
4SPX32	10.15 fl. oz.
67DX39	18 fl. oz.
Pump Detergent Suction	
Water to detergent ratio	10 to 1 (10% detergent)
Water Supply Requirements	
Minimum inlet pressure	20 psi
Maximum inlet pressure	100 psi
Maximum inlet temperature	100° F
Minimum inlet flow rate	5 gpm
Inlet garden hose size	5/8 inch I.D.
Maximum inlet garden hose length	50 feet

Troubleshooting Guide

SYMPTOM	POSSIBLE CAUSE(S)	CORRECTIVE ACTION
Low pressure and /or pump runs rough	<ol style="list-style-type: none"> 1. Worn or wrong size/type of nozzle 2. Inlet filter on pump clogged 3. Worn water seals, abrasives in water, or natural wear 4. Fouled or dirty inlet or discharge valves 5. Restricted inlet 6. Worn inlet or discharge valves 7. Leaking high pressure hose 8. Pump drawing in air 9. Unloader valve seat faulty or worn 	<ol style="list-style-type: none"> 1. Replace with nozzle of proper size 2. Clean. Check more frequently 3. Check filter. Replace water seals. See service center 4. Clean inlet and discharge valve assemblies. Check filter 5. Check garden hose, may be collapsed or kinked. Check inlet water flow 6. Replace worn valves 7. Replace high pressure hose 8. Ensure hoses and fittings are tight 9. Check and replace
Water leakage from under pump manifold	Worn water seals	Install new water seals. See CAT pump service center
Water in pump crankcase (milky oil)	<ol style="list-style-type: none"> 1. Humid air condensing inside crankcase 2. Oil seals leaking 	<ol style="list-style-type: none"> 1. Change oil as specified in maintenance schedule 2. Install new oil seals. See CAT pump service center
Frequent or premature failure of the pump water seals	<ol style="list-style-type: none"> 1. Scored damaged or worn plungers 2. Abrasive material in the fluid 3. Inlet water temperature too high 4. Overpressurizing pump 5. Excessive pressure due to partially plugged or damaged nozzle 6. Pump running too long without spraying 7. Pump running dry 	<ol style="list-style-type: none"> 1. Install new plungers. See CAT pump service center 2. Install proper filtration on pump inlet plumbing 3. Check water temperature; may not exceed 100° F. 4. Do not modify any factory set adjustments. 5. Clean or replace nozzle. 6. Never run pump more than 1 minute without spraying 7. Do not run pump without water
Strong surging at the inlet and low pressure	Foreign particles in the inlet or discharge valve or worn inlet and/or discharge valves	Clean or replace valves. See CAT pump service center
Oil leakage between the engine and the pump	Worn oil seals and/or o-ring	Replace oil seals and/or o-ring. See service center
Fluctuating pressure	<ol style="list-style-type: none"> 1. Valve worn, dirty or stuck 2. Pump drawing in air 3. Nozzle clogged 	<ol style="list-style-type: none"> 1. Discharge or check and replace 2. Ensure hoses and fittings are tight. Purge air from garden hose 3. Check or replace
Pressure drops after period of normal use	<ol style="list-style-type: none"> 1. Worn pump water seals 2. Nozzle worn 3. Valve worn, dirty or stuck 4. Unloader valve seat worn or dirty 	<ol style="list-style-type: none"> 1. Check and replace 2. Check and replace 3. Discharge or Check, clean or replace 4. Check, clean or replace

Continued on next page

Troubleshooting Guide (Continued)

SYMPTOM	POSSIBLE CAUSE(S)	CORRECTIVE ACTION
Engine will not start or is hard to start	<ol style="list-style-type: none"> 1. No gasoline in fuel tank or carburetor 2. Low oil 3. Start/Stop switch in stop position 4. Water in gasoline or old fuel 5. Dirty air cleaner filter 6. Spark plug dirty, wrong gap or wrong type 7. Spray gun closed 8. Other causes 	<ol style="list-style-type: none"> 1. Fill the tank with gasoline, open fuel shut off valve. Check fuel line and carburetor 2. Check oil level. Fill if necessary 3. Move switch to start position 4. Drain fuel tank and carburetor. Use new fuel and dry spark plug 5. Remove and clean or replace 6. Clean, adjust the gap, or replace 7. Trigger spray gun 8. See engine owner's manual
Engine misses or lacks power	<ol style="list-style-type: none"> 1. Partially plugged air cleaner filter 2. Spark plug dirty, wrong gap or wrong type 	<ol style="list-style-type: none"> 1. Remove and clean or replace 2. Clean, adjust the gap, or replace
Pump noisy / pump runs rough	<ol style="list-style-type: none"> 1. Pump drawing in air/low water supply 2. Valves dirty or worn 3. Worn bearings 4. Water too hot 	<ol style="list-style-type: none"> 1. Ensure fittings are tight. Increase water pressure 2. Discharge or check, clean or replace 3. Check and replace 4. Reduce temperature below 100° F
Pressure washer will not spray detergent	<ol style="list-style-type: none"> 1. Not using soap nozzle 2. Clog, kink, or hole in detergent suction hose 3. Hose length too long 4. Lance not functioning properly 	<ol style="list-style-type: none"> 1. Install 65 degree (black) soap nozzle 2. If clean, unkink or replace hose. 3. Use only hose length provided with initial purchase of pressure washer. Detergent suction will not function if more than one section of hose is attached to unit. 4. Remove lance from gun. If detergent is dispensed through gun, the lance must be replaced. If no detergent is dispensed through gun, remove 1 inch tapered detergent barb from pump. Clean the barb, and make sure that ball and spring are properly aligned with tapered portion of the spring facing the ball. The ball should be on top of the spring.

For Replacement Parts or Technical Assistance, Call 1-800-330-0712

Please provide following information:

- Model number
- Serial number (if any)
- Part description and number as shown in parts list

Address any correspondence to:

Campbell Hausfeld
Attn: Customer Service
100 Production Drive
Harrison, OH 45030 U.S.A.

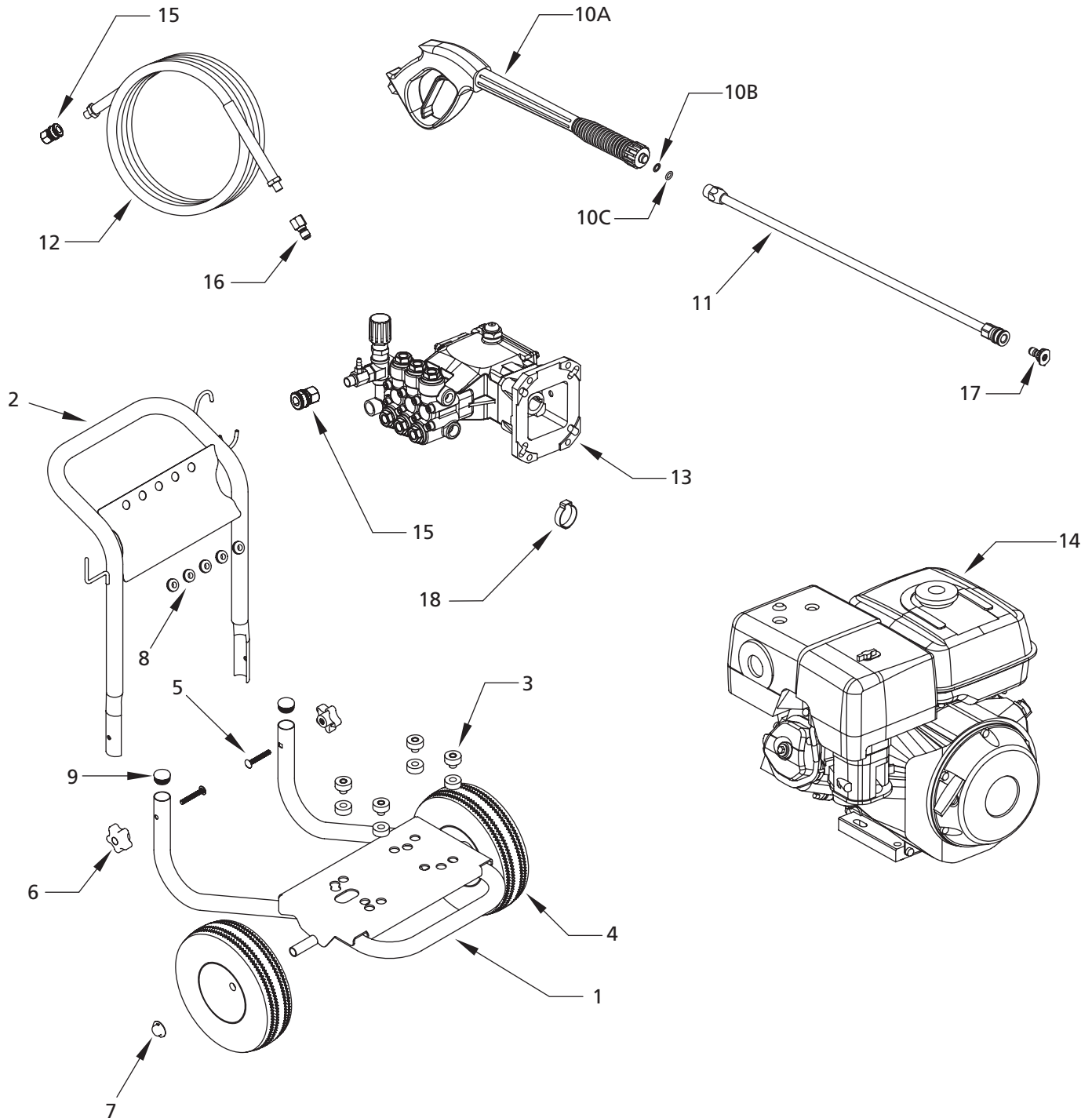


Figure 18 – Repair Parts Illustration

Replacement Parts List

Ref. No.	Description	PW2770	PW3270	PW4070	Qty.
1	Frame Assembly	PM350249SJ	PM350249SJ	PM350249SJ	1
2	Handle Assembly	PM350250SJ	PM350250SJ	PM350250SJ	1
3	ISO Mount Assembly	PM344772SJ	PM344772SJ	PM344772SJ	4 per kit
4	Pneumatic Wheel	WA005621AV	WA005621AV	WA005621AV	2
5	Carriage Bolt	PM344774SJ	PM344774SJ	PM344774SJ	2 per kit
6	Star Knob	PM344773SJ	PM344773SJ	PM344773SJ	2 per kit
7	Palnut	PM344775SJ	PM344775SJ	PM344775SJ	2 per kit
8	Rubber Grommet	MJ110200AV	MJ110200AV	MJ110200AV	5
9	Plug	MJ106802AV	MJ106802AV	MJ106802AV	2
10A	Gun	PM005138AV	PM005138AV	PM005138AV	1
10B	Gun O-Ring	PM345403SJ	PM345403SJ	PM345403SJ	2
10C	Gun Back-Up O-Ring	PM232211SV	PM232211SV	PM232211SV	1
11	Lance	PM351378AV	PM351378AV	PM351378AV	1
12	High Pressure Hose	PM005010AV	PM005012AV	PM005012AV	1
13	Pump Assembly	PM347000SJ	PM347100SJ	PM350251SJ	1
14	Engine	★	★	★	1
15	Socket - Quick Connect	PM068070AV	PM068070AV	PM068070AV	2
16	Plug - Quick Connect	PM068066AV	PM068066AV	PM068066AV	1
17	Quick Connect Nozzles - <i>Orifice size</i>	#3.00	#3.50	#3.50	
	0 (Red)	PM039870AV	PM039700AV	PM039700AV	1
	15 (Yellow)	PM039880AV	PM039710AV	PM039710AV	1
	25 (Green)	PM039890AV	PM039720AV	PM039720AV	1
	40 (White)	PM039900AV	PM039730AV	PM039730AV	1
	Detergent (Black)	PM039820AV	PM039820AV	PM039820AV	1
18	1 inch Hose Clamp	*	*	*	1
*	Standard hardware item				
★	For engine service or replacement parts, call Honda at 1-800-426-7701				

For Replacement Parts or Technical Assistance, Call 1-800-330-0712

Please provide following information:

- Model number
- Serial number (if any)
- Part description and number as shown in parts list

Address any correspondence to:

Campbell Hausfeld
 Attn: Customer Service
 100 Production Drive
 Harrison, OH 45030 U.S.A.

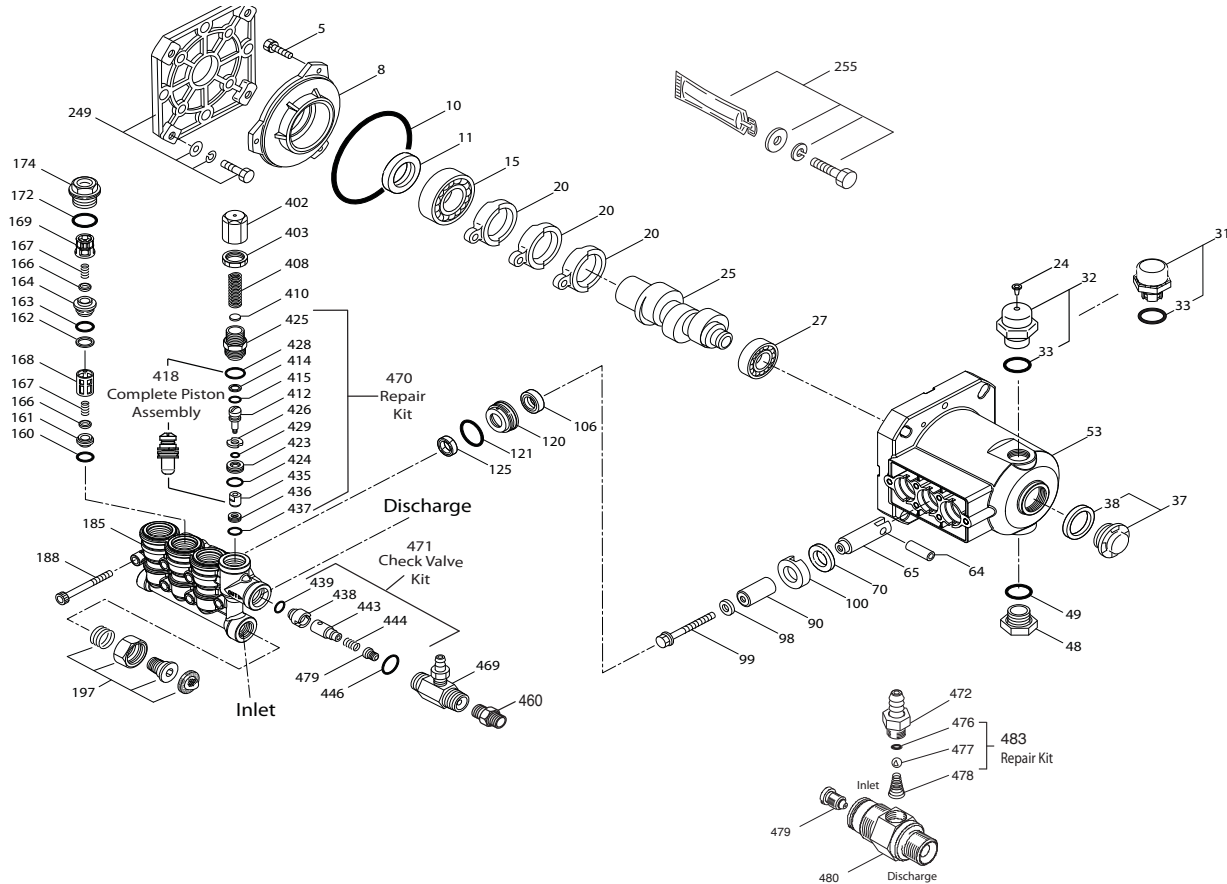


Figure 19 – Repair Parts Illustration for PM347000SJ model PW2770

Replacement Parts List for PM347000SJ

Ref. No.	Description	Part No.	Qty.
5	HH Screw (M6-14)	--	--
8	Bearing Cover	--	--
10	Bearing Cover O-Ring (70D)	--	--
11	Oil Seal (70D)	--	--
15	Inner Ball Bearing	--	--
20	Connecting Rod	--	--
24	Oil Cap Plug	PM900000AV	1
25	Crank Shaft	--	--
27	Ball Bearing	--	--
32	Oil Filler Cap	PM345078SV	1
33	Oil Filler Cap O-Ring (70D)	PM345079SV	1

Ref. No.	Description	Part No.	Qty.
37	Oil Sight Glass	PM900200AV	1
38	Sight Glass Gasket (80D)	--	--
48	Drain Plug	PM900300AV	1
49	Drain Plug O-Ring (70D)	PM900400AV	1
53	Crankcase	--	--
64	Crosshead Pin	--	--
65	Plunger Rod	--	--
69	Oil Seal Washer	--	--
70	Oil Seal	--	--
75	Barrier Slinger	--	--
90	Plunger (M14-25.5)	--	--
98 ▲	Seal Washer (90D)	--	--

Replacement Parts List

Ref. No.	Description	Part No.	Qty.	Ref. No.	Description	Part No.	Qty.
99	Plunger Retainer (M6-35)	--	--	423 ◆	Valve Retainer	--	--
100	Seal Retainer	--	--	424 ●◆	Valve Retainer O-Ring (Outer)	--	--
106 ▲	LPS Seal	--	--	425 ◆	Piston Retainer	--	--
120	Seal Case (80D)	--	--	426 ◆	Washer	--	--
121 ▲	Seal Case O-Ring	--	--	428 ●◆	Piston Retainer O-Ring	--	--
122	Support Ring	--	--	429 ●◆	Valve Retainer O-Ring (Inner)	--	--
125 ▲	HPS Seal	--	--	430	Valve Retainer Backup Ring	--	--
127	V-Packing	--	--	435 ◆	Ball Assembly Valve	--	--
128	Male Adapter	--	--	436 ◆	Seat	--	--
160 ■	Inlet Seat O-Ring	--	--	437 ●◆	Seat O-Ring	--	--
161 ■	Inlet Seat	--	--	438 ▼	Check Valve Seat	--	--
162 ■	Discharge Seat Backup Ring	--	--	439 ●▼	Check Valve Seat O-Ring	--	--
163 ■	Discharge Seat O-Ring	--	--	443 ▼	Check Valve w/ O-Ring	--	--
164 ■	Discharge Seat	--	--	444 ▼	Check Valve Spring	--	--
166 ■	Valve	--	--	446 ●▼	Body O-Ring	--	--
167 ■	Spring	--	--	460	Discharge Fitting (3/8 po NPTF-18)	--	--
168 ■	Inlet Spring Retainer	--	--	469	Fixed Chemical Injector	--	--
169 ■	Discharge Spring Retainer	--	--	483	Injector Repair Kit	PM901500AV	1
172 ■	Valve Plug O-Ring	--	--				
174	Valve Plug	--	--				
185	Manifold Head	--	--				
188	HSH Screw (M6-60)	--	--				
197	Garden Hose Assy	PM900500AV	1				
249	Adapter Mount Assy	--	--				
255	Mounting Bolt Assy	--	--				
401	Adjustment Handle	--	--				
402	Adjusting Cap	--	--				
403	Lock Nut (M18-1)	--	--				
404	Set Screw (M4-1)	--	--				
408	Pressure Spring	--	--				
410	Spring Retainer	--	--				
412 ◆	Piston Stem (M5)	--	--				
414 ●◆	Piston Stem Backup Ring	--	--				
415 ●◆	Piston Stem O-Ring	--	--				
418	Complete Piston Assy	--	--				

ADDITIONAL ACCESSORIES NOT INCLUDED

REPLACEMENT PARTS KITS

▲	Seal Kit	PM900600AV	1
■	Valve Kit	PM900900AV	1
●	O-Ring Kit	PM901300AV	1
◆	Piston Repair Kit	PM901100AV	1
▼	Check Valve Kit	PM901600AV	1
--	Not available		
★	Standard hardware item - available at your local hardware store		
†	Allow 6 to 8 weeks for order		
*	Considered wear items		

For Replacement Parts or Technical Assistance, Call 1-800-330-0712

Please provide following information:

- Model number
- Serial number (if any)
- Part description and number as shown in parts list

Address any correspondence to:

Campbell Hausfeld
 Attn: Customer Service
 100 Production Drive
 Harrison, OH 45030 U.S.A.

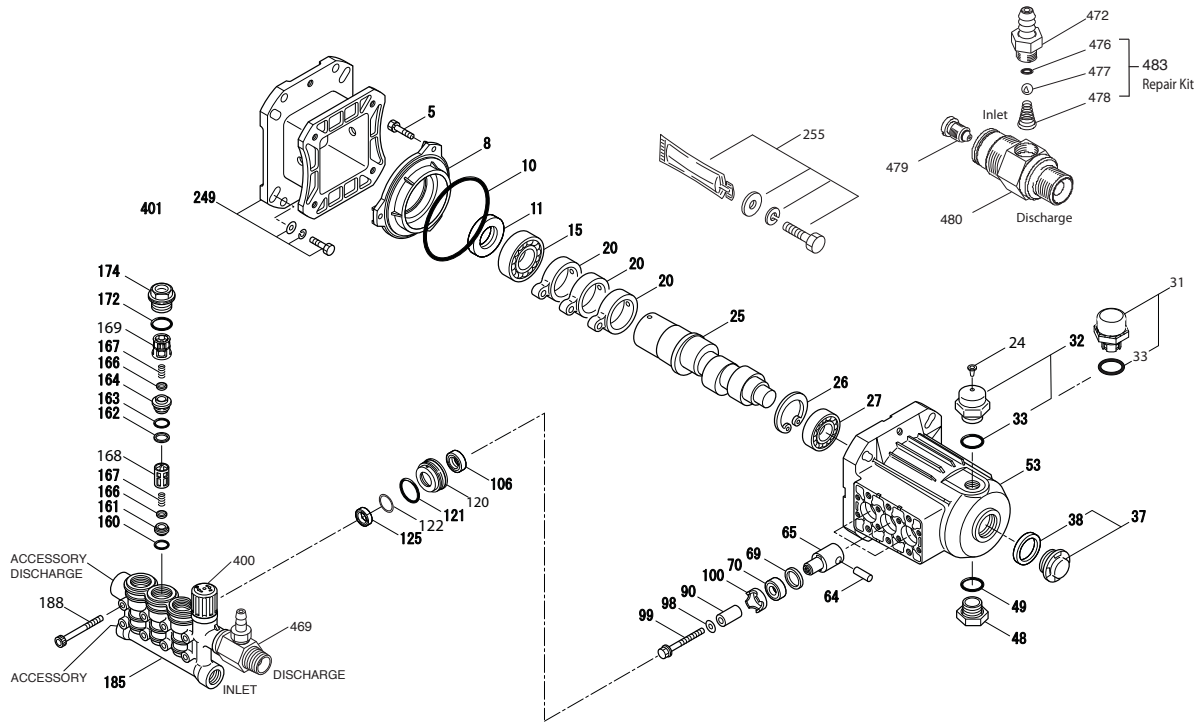


Figure 20 – Repair Parts Illustration for PM347100SJ model PW3270

Replacement Parts List for PM347100SJ

Ref. No.	Description	Part No.	Qty.
5	HH Screw (M6-14)	--	--
8	Bearing Cover	--	--
10	Bearing Cover O-Ring (70D)	--	--
11	Oil Seal (70D)	--	--
15	Inner Ball Bearing	--	--
20	Connecting Rod	--	--
24	Oil Cap Plug	PM900000AV	1
25	Crank Shaft	--	--
27	Ball Bearing	--	--
32	Oil Filler Cap	PM345078SV	1
33	Oil Filler Cap O-Ring (70D)	PM345079SV	1

Ref. No.	Description	Part No.	Qty.
37	Oil Sight Glass	PM900200AV	1
38	Sight Glass Gasket (80D)	--	--
48	Drain Plug	PM900300AV	1
49	Drain Plug O-Ring (70D)	PM900400AV	1
53	Crankcase	--	--
64	Crosshead Pin	--	--
65	Plunger Rod	--	--
69	Oil Seal Washer	--	--
70	Oil Seal	--	--
75	Barrier Slinger	--	--
90	Plunger (M14-25.5)	--	--
98 ▲	Seal Washer (90D)	--	--

Replacement Parts List

Ref. No.	Description	Part No.	Qty.
99	Plunger Retainer (M6-35)	--	--
100	Seal Retainer	--	--
106 ▲	LPS Seal	--	--
120	Seal Case (80D)	--	--
121 ▲	Seal Case O-Ring	--	--
122	Support Ring	--	--
125 ▲	HPS Seal	--	--
127	V-Packing	--	--
128	Male Adapter	--	--
160 ■	Inlet Seat O-Ring	--	--
161 ■	Inlet Seat	--	--
162 ■	Discharge Seat Backup Ring	--	--
163 ■	Discharge Seat O-Ring	--	--
164 ■	Discharge Seat	--	--
166 ■	Valve	--	--
167 ■	Spring	--	--
168 ■	Inlet Spring Retainer	--	--
169 ■	Discharge Spring Retainer	--	--
172 ■	Valve Plug O-Ring	--	--
174	Valve Plug	--	--
185	Manifold Head	--	--
188	HSH Screw (M6-60)	--	--
197	Garden Hose Assy	--	--
249	Adapter Mount Assy	--	--
255	Mounting Bolt Assy	--	--
401	Adjustment Handle	--	--
402	Adjusting Cap	--	--
403	Lock Nut (M18-1)	--	--
404	Set Screw (M4-1)	--	--
408	Pressure Spring	--	--
410	Spring Retainer	--	--
412 ◆	Piston Stem (M5)	--	--
414 ●◆	Piston Stem Backup Ring	--	--
415 ●◆	Piston Stem O-Ring	--	--
418	Complete Piston Assy	--	--

Ref. No.	Description	Part No.	Qty.
423 ◆	Valve Retainer	--	--
424 ●◆	Valve Retainer O-Ring (Outer)	--	--
425 ◆	Piston Retainer	--	--
426 ◆	Washer	--	--
428 ●◆	Piston Retainer O-Ring	--	--
429 ●◆	Valve Retainer O-Ring (Inner)	--	--
430	Valve Retainer Backup Ring	--	--
435 ◆	Ball Assembly Valve	--	--
436 ◆	Seat	--	--
437 ●◆	Seat O-Ring	--	--
438 ▼	Check Valve Seat	--	--
439 ▼	Check Valve Seat O-Ring	--	--
443 ▼	Check Valve w/ O-Ring	--	--
444 ▼	Check Valve Spring	--	--
446 ●▼	Body O-Ring	--	--
460	Discharge Fitting (3/8 po NPTF-18)	--	--
469	Fixed Chemical Injector	--	--
483	Injector Repair Kit	PM901500AV	1

ADDITIONAL ACCESSORIES NOT INCLUDED

REPLACEMENT PARTS KITS

▲	Seal Kit	PM900700AV	1
■	Valve Kit	PM900900AV	1
●	O-Ring Kit	PM901300AV	1
◆	Piston Repair Kit	PM901100AV	1
▼	Check Valve Kit	PM901600AV	1
--	Not available		
★	Standard hardware item - available at your local hardware store		
†	Allow 6 to 8 weeks for order		
*	Considered wear items		

For Replacement Parts or Technical Assistance, Call 1-800-330-0712

Please provide following information:

- Model number
- Serial number (if any)
- Part description and number as shown in parts list

Address any correspondence to:

Campbell Hausfeld
 Attn: Customer Service
 100 Production Drive
 Harrison, OH 45030 U.S.A.

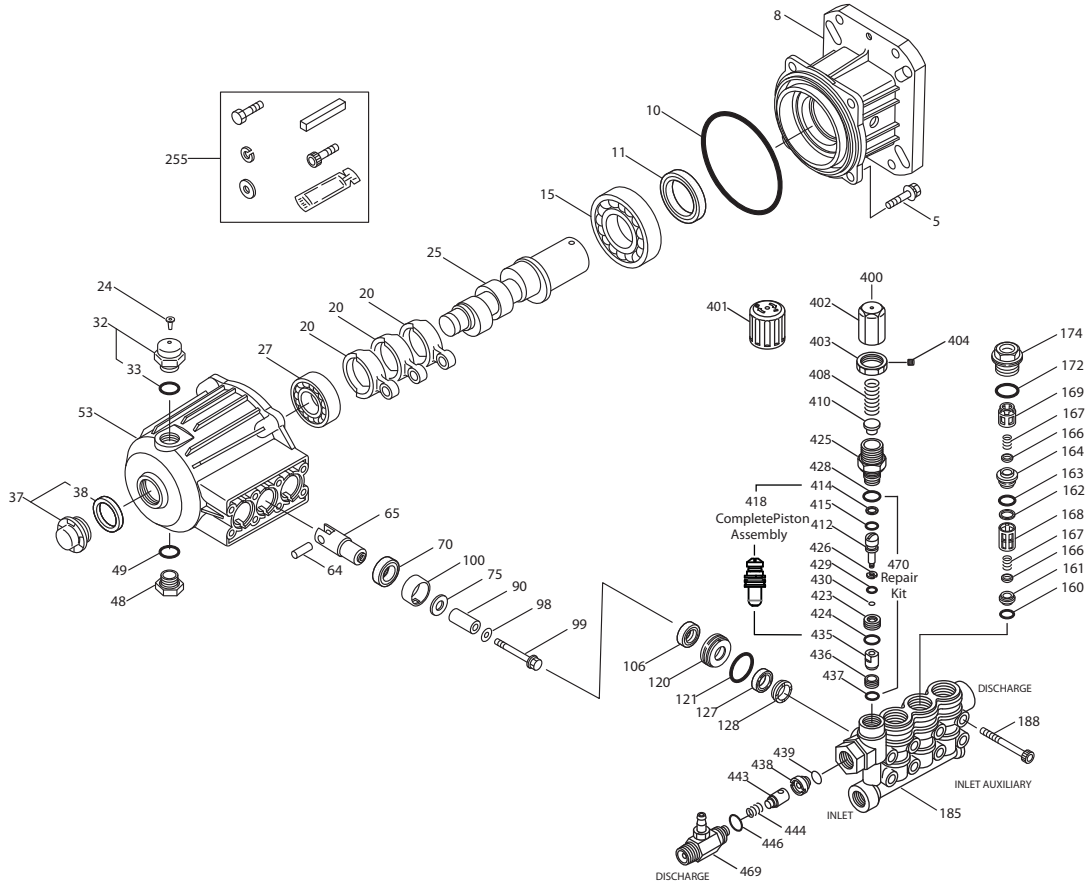


Figure 21 – Repair Parts Illustration for PW350251SJ model PW4070

Replacement Parts List for PM350251SJ

Ref. No.	Description	Part No.	Qty.
5	HH Screw (M6-14)	--	--
8	Bearing Cover	--	--
10	Bearing Cover O-Ring (70D)	--	--
11	Oil Seal (70D)	--	--
15	Inner Ball Bearing	--	--
20	Connecting Rod	--	--
24	Oil Cap Plug	PM900000AV	1
25	Crank Shaft	--	--
27	Ball Bearing	--	--
32	Oil Filler Cap	--	--
33	Oil Filler Cap O-Ring (70D)	--	--

Ref. No.	Description	Part No.	Qty.
37	Oil Sight Glass	PM900200AV	1
38	Sight Glass Gasket (80D)	--	--
48	Drain Plug	PM900300AV	1
49	Drain Plug O-Ring (70D)	PM900400AV	1
53	Crankcase	--	--
64	Crosshead Pin	--	--
65	Plunger Rod	--	--
69	Oil Seal Washer	--	--
70	Oil Seal	--	--
75	Barrier Slinger	--	--
90	Plunger (M14-25.5)	--	--
98 ▲	Seal Washer (90D)	--	--

Replacement Parts List

Ref. No.	Description	Part No.	Qty.
99	Plunger Retainer (M6-35)	--	--
100	Seal Retainer	--	--
106 ▲	LPS Seal	--	--
120	Seal Case (80D)	--	--
121 ▲	Seal Case O-Ring	--	--
122	Support Ring	--	--
125	HPS Seal	--	--
127 ▲	V-Packing	--	--
128 ▲	Male Adapter	--	--
160 ■	Inlet Seat O-Ring	--	--
161 ■	Inlet Seat	--	--
162 ■	Discharge Seat Backup Ring	--	--
163 ■	Discharge Seat O-Ring	--	--
164 ■	Discharge Seat	--	--
166 ■	Valve	--	--
167 ■	Spring	--	--
168 ■	Inlet Spring Retainer	--	--
169 ■	Discharge Spring Retainer	--	--
172 ■	Valve Plug O-Ring	--	--
174	Valve Plug	--	--
185	Manifold Head	--	--
188	HSH Screw (M6-60)	--	--
197	Garden Hose Assy	--	--
249	Adapter Mount Assy	--	--
255	Mounting Bolt Assy	--	--
401	Adjustment Handle	--	--
402	Adjusting Cap	--	--
403	Lock Nut (M18-1)	--	--
404	Set Screw (M4-1)	--	--
408	Pressure Spring	--	--
410	Spring Retainer	--	--
412 ◆	Piston Stem (M5)	--	--
414 ●◆	Piston Stem Backup Ring	--	--
415 ●◆	Piston Stem O-Ring	--	--
418	Complete Piston Assy	--	--

Ref. No.	Description	Part No.	Qty.
423 ◆	Valve Retainer	--	--
424 ●◆	Valve Retainer O-Ring (Outer)	--	--
425 ◆	Piston Retainer	--	--
426 ◆	Washer	--	--
428 ●◆	Piston Retainer O-Ring	--	--
429 ●◆	Valve Retainer O-Ring (Inner)	--	--
430 ●◆	Valve Retainer Backup Ring	--	--
435 ◆	Ball Assembly Valve	--	--
436 ◆	Seat	--	--
437 ●◆	Seat O-Ring	PM901700AV	1
438	Check Valve Seat	PM901800AV	
439 ●	Check Valve Seat O-Ring	--	--
443	Check Valve w/ O-Ring	PM901900AV	1
444	Check Valve Spring	PM902000AV	1
446 ●	Body O-Ring	PM902100AV	
460	Discharge Fitting (3/8 po NPTF-18)	--	--
469	Fixed Chemical Injector	--	--

ADDITIONAL ACCESSORIES NOT INCLUDED

REPLACEMENT PARTS KITS

▲	Seal Kit	PM900800AV	1
■	Valve Kit	PM901000AV	1
●	O-Ring Kit	PM901400AV	1
◆	Piston Repair Kit	PM901200AV	1
▼	Check Valve Kit	PM901600AV	1
--	Not available		
★	Standard hardware item - available at your local hardware store		

† Allow 6 to 8 weeks for order

* Considered wear items

REGISTER YOUR PRODUCT ONLINE NOW!
<http://reg.ch-commercial.com>

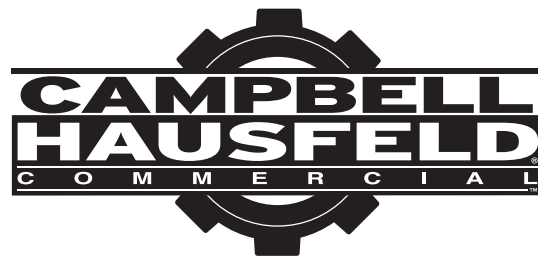
Limited Warranty

1. **DURATION:** From the date of purchase by the original purchaser as follows: Three (3) years pressure washer unit, two (2) years pump and motor, and 90 days for wear items.
2. **WHO GIVES THIS WARRANTY (WARRANTOR):** Campbell Hausfeld / Scott Fetzer Company, 100 Production Drive, Harrison, OH 45030, Telephone: 1-800-330-0712.
3. **WHO RECEIVES THIS WARRANTY (PURCHASER):** The original purchaser (other than for purposes of resale) of the Campbell Hausfeld pressure washer.
4. **WHAT PRODUCTS ARE COVERED UNDER THIS WARRANTY:** This Campbell Hausfeld Pressure Washer.
5. **WHAT IS COVERED UNDER THIS WARRANTY:** Substantial defects on material and workmanship which occur within the duration of the warranty period with the exceptions noted below.
6. **WHAT IS NOT COVERED UNDER THIS WARRANTY:**
 - A. Implied warranties, including those of merchantability and FITNESS FOR A PARTICULAR PURPOSE ARE LIMITED FROM THE DATE OF ORIGINAL PURCHASE AS STATED IN THE DURATION. Some states do not allow limitation on how long an implied warranty lasts, so the above limitations may not apply to you.
 - B. ANY INCIDENTAL, INDIRECT, OR CONSEQUENTIAL LOSS, DAMAGE, OR EXPENSE THAT MAY RESULT FROM ANY DEFECT, FAILURE, OR MALFUNCTION OF THE CAMPBELL HAUSFELD pressure washer. Some States do not allow the exclusion or limitation of incidental or consequential damages, so the above limitation or exclusion may not apply to you.
 - C. Any failure that results from shipping damage, accident, purchaser's abuse, neglect or failure to install and operate pressure washer in accordance with instructions provided in the owner's manual(s) supplied with product.
 - D. Pre-delivery service, i.e. assembly, oil or lubricants and adjustment.
 - E. Items or service normally required to maintain the pressure washer.
 - F. Additional items not covered under the warranty:
 1. Normal wear items such as high pressure hoses, water and oil seals, o-rings, valves, lances and spray nozzles.
 2. Cosmetic defects that do not interfere with functionality.
 3. Rusted components.
 4. Pump wear or valve damage caused by using improper oil, oil contamination or by failure to follow proper oil maintenance guidelines.
 - G. Gasoline engine and components are expressly excluded from coverage under this limited warranty. Such components should be returned by the purchaser to the original manufacturer or to its authorized repair stations for service.
7. **RESPONSIBILITIES OF WARRANTOR UNDER THIS WARRANTY:** Repair or replace, at Warrantor's option, pressure washer or component which is defective, has malfunctioned and/or failed to conform within duration of the warranty period.
8. **RESPONSIBILITIES OF PURCHASER UNDER THIS WARRANTY:**
 - A. Provide dated proof of purchase and maintenance records.
 - B. Deliver or ship the Campbell Hausfeld pressure washer or component to nearest Campbell Hausfeld Authorized Service Center. Freight costs, if any, must be borne by the purchaser.
 - C. Use reasonable care in the operation and maintenance of the pressure washer as described in the owner's manual(s).
9. **WHEN WARRANTOR WILL PERFORM REPAIR OR REPLACEMENT UNDER THIS WARRANTY:** Repair or replacement will be scheduled and serviced according to the normal work flow at the servicing location, and depending on the availability of replacement parts.

This Limited Warranty applies in the U.S., Canada and Mexico only and gives you specific legal rights. You may also have other rights which vary from state to state or country to country.

REMINDER: Keep your dated proof of purchase for warranty purposes!
Attach it to this manual or file it for safekeeping.

Nettoyeur haute pression à essence



MODÈLES: PW2770, PW3270, PW4070



Figure 1

Spécifications

Modèle	Honda Moteur	CAT Pompe	Pression	Débit	Buse
PW2770	GX160	4DNX25GSI	2750 psi / 18,961 kPa	2.5 GPM	#3.0
PW3270	GX270	4SPX32GII	3200 psi / 22,063 kPa	3.0 GPM	#3.5
PW4070	GX390	67DX39GII	4000 psi / 247,579 kPa	3.5 GPM	#3.5

Veuillez inscrire le No de modèle et le No de série à utiliser pour contacter le fabricant :

N° de modèle : _____

N° de série : _____

Date d'achat : _____

Lieu d'achat : _____

Pour obtenir de l'information sur le produit, veuillez appeler le 1-800-330-0712.

Description

Ces nettoyeurs à pression à l'essence puissants et durables sont conçus pour des projets commerciaux. Ils sont parfaits pour des projets dans des ateliers d'entretien, dans des fermes et dans des bâtiments commerciaux comme des entrées/ trottoirs en béton et pour des équipements lourds.

Tous les chariots sont construits en acier durable, soudé et enduit de poudre pour assurer la longévité.

Ces nettoyeurs à pression sont fièrement construits en Kentucky avec des moteurs Honda renforcés, fiables et des pompes de qualité commerciale.

LIRE ET SUIVRE TOUTES LES INSTRUCTIONS.

Conserver ces instructions

Ne les jetez pas

Directives De Sécurité

Ce manuel contient de l'information très importante qui est fournie pour la SÉCURITÉ et pour ÉVITER LES PROBLÈMES D'ÉQUIPEMENT. Rechercher les symboles suivants pour cette information.

▲ DANGER Danger indique une situation dangereuse imminente qui MÈNERA à la mort ou à des blessures graves si elle n'est pas évitée.

▲ AVERTISSEMENT Avertissement indique une situation potentiellement dangereuse qui, si elle n'est pas évitée, POURRAIT mener à la mort ou à de graves blessures.

▲ ATTENTION Attention indique une situation potentiellement dangereuse qui, si elle n'est pas évitée, PEUT mener à des blessures mineures ou modérées.

AVIS Avis indique de l'information importante qui pourrait endommager l'équipement si elle n'est pas respectée.

IMPORTANT : Information qui exige une attention spéciale.

Directives De Sécurité (suite)

Généralités sur la Sécurité

Symboles De Sécurité

Les symboles de sécurité suivants apparaissent dans l'ensemble de ce manuel pour vous aviser des dangers et précautions importants de sécurité.



Lire le manuel d'abord



Risque d'explosion



Risque d'incendie



Risque de tomber



Risque de blessure



Protection oculaire et auditive

INSTRUCTIONS PORTANT SUR UN RISQUE D'INCENDIE, UN CHOC ÉLECTRIQUE OU DES BLESSURES AUX PERSONNES

Ce manuel contient des informations concernant la sécurité, le fonctionnement et l'entretien. Si vous avez des questions, appeler le 1-800-330-0712 pour le service à la clientèle.



AVERTISSEMENT En utilisant les outils, il faut suivre les précautions de base, y compris ce qui suit :

PROPOSITION 65 DE CALIFORNIE



AVERTISSEMENT Ce produit ou son cordon peuvent contenir des produits chimiques, y compris du plomb, relevés par l'État de Californie comme cause de cancer, d'anomalies congénitales ou d'autres problèmes reproductifs. Lavez-vous les mains après toute manipulation.

GÉNÉRALITÉ

- a. Pour réduire les risques de chocs électriques, d'incendie ou de blessures aux personnes, lire toutes les instructions avant d'utiliser l'outil. Ne pas suivre les avertissements, les dangers et les mises en garde pourrait causer la MORT ou de GRAVES BLESSURES.



- b. Se familiariser avec ce produit, ses commandes et son utilisation. Suivez toutes les instructions. Contacter votre représentant Campbell Hausfeld si vous avez des questions.
- c. Seules les personnes familières avec ces règles d'utilisation sans danger devraient utiliser cette unité.
- d. Suivez tous les codes de sécurité ainsi que l'Occupational Safety and Health Act (OSHA).

AIRE DE TRAVAIL

- a. Gardez le secteur d'opération libre de toutes personnes.
- b. Garder l'aire de travail propre et bien éclairée. Les établis encombrés et les coins sombres augmentent les risques de chocs électriques, d'incendie et de blessures aux personnes.
- c. Ne pas faire fonctionner l'outil dans une atmosphère explosive comme en présence de liquides, gaz ou poussières inflammables. L'outil peut produire des étincelles menant à une inflammation de poussières ou de fumées.
- d. NE pulvériser JAMAIS de liquides inflammables et n'utilisez jamais le pulvérisateur haute pression dans des endroits

contenant de la poussière, des liquides ou des vapeurs combustibles.

- e. Ne faites jamais fonctionner cet appareil dans un édifice fermé ou dans ou près d'un environnement explosif.

SÉCURITÉ PERSONNELLE

- a. Rester vigilant. Il faut regarder ce que vous faites et utiliser son sens commun en faisant fonctionner un outil. Ne pas faire fonctionner l'appareil si vous êtes fatigué ou sous l'influence de drogues, d'alcool ou de médicaments. Un moment d'inattention en faisant fonctionner l'outil augmente le risque de blessures.



- b. Il faut s'habiller correctement. Ne pas porter de bijoux ou de vêtements amples. Attacher les cheveux longs. Garder les cheveux, les vêtements et les gants loin des pièces mobiles. Les vêtements amples, les bijoux ou les cheveux longs augmentent le risque de blessures si quelque chose se prend dans les pièces mobiles.



- c. Ne pas trop se pencher. Garder bon pied et bon équilibre en tout temps. Ceci permet d'avoir un meilleur contrôle de l'outil dans les situations imprévues.



AVERTISSEMENT Risque d'injection ou de blessures graves. Restez loin du gicleur. Ne déchargez pas de jets vers les personnes. Ce produit doit être utilisé seulement par un opérateur formé. Retirez toujours la tige du pistolet avant de nettoyer les débris de l'embout.



- d. Restez loin du gicleur. NE dirigez JAMAIS le jet haute pression vers une personne, un animal, ou vous-même.



- e. Ne mettez jamais la main ou les doigts sur l'embout de pulvérisation en opérant l'appareil.

- f. N'essayez jamais d'arrêter ou de dévier les fuites vers toute partie du corps.



AVERTISSEMENT S'assurer que l'outil n'est utilisé que lorsque l'opérateur et tout autre personnel dans l'aire de travail portent un équipement de protection oculaire ANSI Z87, et s'il y a lieu, d'autre équipement de protection approprié comme une protection de la tête, auditive, des gants, des bottes de caoutchouc, des vêtements protecteurs en utilisant et exécutant la maintenance. De graves blessures oculaires ou une perte auditive permanente pourraient en résulter.



UTILISATION ET ENTRETIEN DE L'OUTIL



AVERTISSEMENT N'utilisez pas de pression qui dépasse la pression d'exploitation de toute pièce (flexibles, raccords, etc.) du système sous pression. Assurez-vous que tout équipement et accessoires sont du calibre voulu pour résister à la pression d'exploitation maximum de l'appareil.

- a. Il faut entretenir l'outil avec soin. Un outil bien entretenu réduit le risque de problèmes et est plus facile à contrôler.
- b. Assurez-vous que tous les dispositifs de sécurité fonctionnent correctement avec chaque utilisation. NE retirez PAS et ne modifiez pas toute pièce du pistolet ou de l'appareil.
- c. Ne jamais faire fonctionner la machine sans les appareils branchés correctement la machine (poignée, Assemblée de pistolet/lance, buse, etc..).
- d. Pointer le pistolet dans une direction sans danger. L'unité commencera à pulvériser lorsque la gâchette est pressée

Directives De Sécurité (suite)

- si l'interrupteur « marche/arrêt » est à la position «ON» (Pulvérisateur à pression (marche)).
- Sachez comment arrêter ce produit et dégager rapidement la pression. Soyez bien au fait des contrôles.
 - Engagez toujours le verrou de sécurité de la gâchette en position sûre à la fin de la pulvérisation même si ce n'est que pour quelques instants.
 - N'engagez jamais en permanence le mécanisme de la gâchette sur le pistolet.
 - Suivez toujours les recommandations du fabricant de détergents pour la bonne utilisation du produit. Protégez toujours les yeux, la peau et le système respiratoire du détergent.
 - Ne débranchez jamais le flexible de décharge de haute pression de la machine tandis que le système est sous pression. Pour décompresser, coupez le courant et l'eau, puis pressez la gâchette du pistolet 2 ou 3 fois.
 - Débrancher l'appareil lorsqu'il n'est pas utilisé.
 - Suivez les instructions d'entretien spécifiées dans le manuel.
 - NE faites JAMAIS fonctionner le pulvérisateur haute pression avec des pièces brisées ou manquantes. Vérifiez régulièrement l'équipement et réparez immédiatement toutes pièces usées ou endommagées.
 - Utilisez seulement le gicleur fourni avec l'appareil.
 - Ne laissez jamais la rallonge sans surveillance tandis que la machine est en marche.
 - Tenez toujours le pistolet et la rallonge bien fermement en démarrant et en faisant fonctionner l'appareil.
 - Ne laissez JAMAIS l'appareil fonctionner avec la gâchette délogée (arrêt) pendant plus d'une minute. L'accumulation de chaleur pourrait endommager la pompe.
 - NE rangez JAMAIS le pulvérisateur haute pression à l'extérieur ou à des endroits où il pourrait geler. Le gel peut endommager gravement la pompe.

AVIS

Dompage à l'équipement.

- Mettez TOUJOURS l'eau à "ON" avant de mettre le pulvérisateur haute pression en marche "ON". **Faire** fonctionner la pompe à sec cause de graves dommages.
- Ne faites pas fonctionner le pulvérisateur haute pression avec l'écran d'entrée d'eau retiré. Gardez l'écran libre de tous débris et sédiments.

SERVICE

- En réparant ou faisant l'entretien d'un outil, utiliser **seulement des pièces de rechange identiques. Utiliser seulement des pièces autorisées.**

CONSERVER CES INSTRUCTIONS NE LES JETEZ PAS

NOTE : Les symboles **DANGER, AVERTISSEMENT, ATTENTION ET AVIS** ainsi que les instructions de ce manuel ne peuvent pas couvrir toutes les conditions et situations qui pourraient se produire. L'opérateur doit comprendre que le bon sens et des précautions sont des facteurs qui ne peuvent pas être inclus dans ces produits, mais doivent être fournis par l'opérateur.

Apprendre à connaître votre laveuse à pression

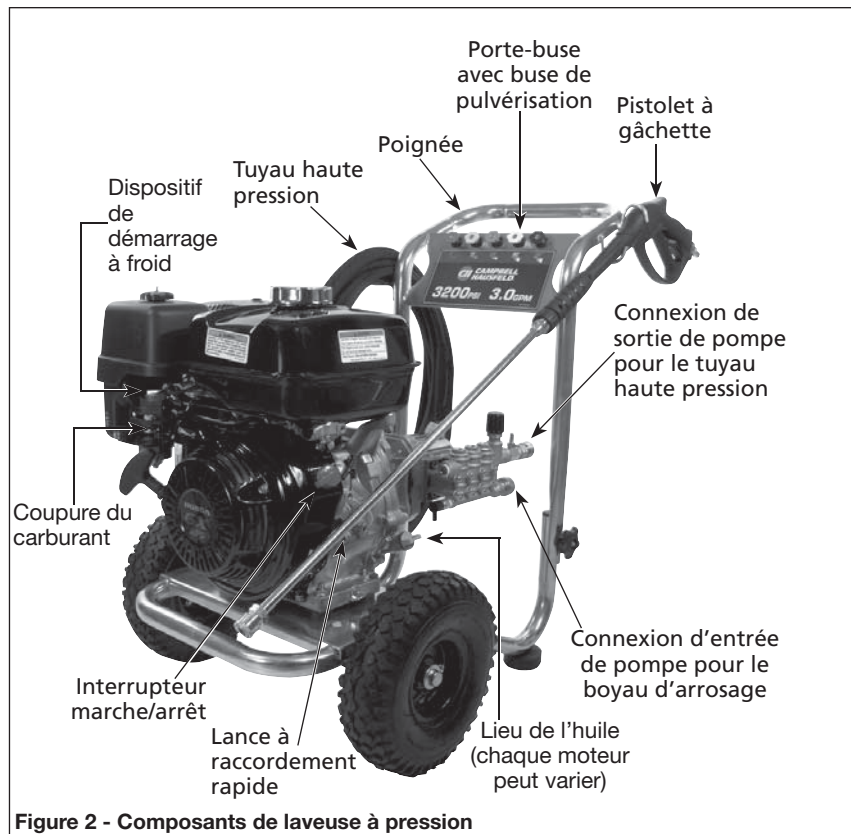
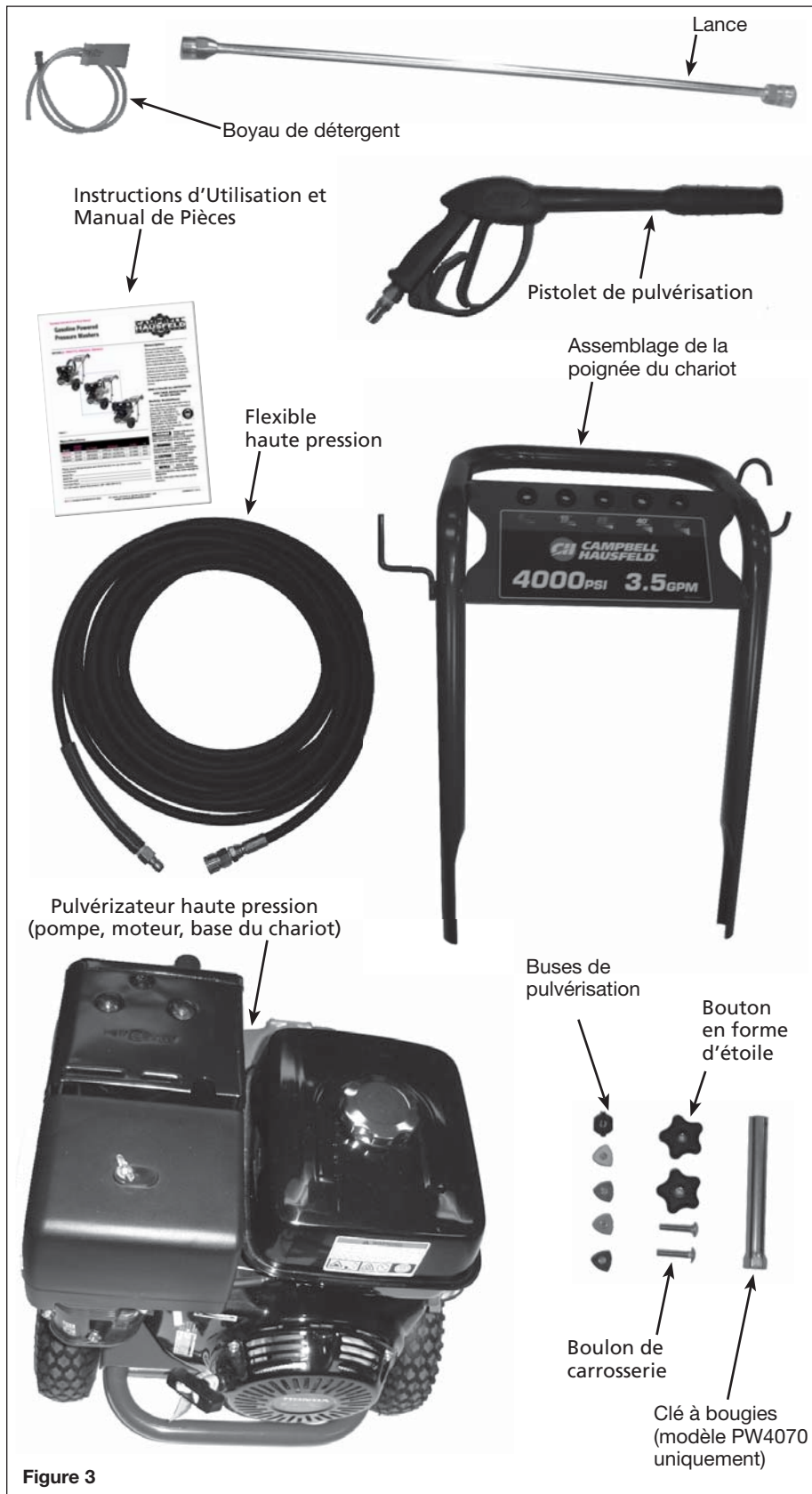


Figure 2 - Composants de laveuse à pression

UTILISATIONS RECOMMANDÉES POUR CETTE LAVEUSE À PRESSION

- ◆ Terrasses
- ◆ Revêtement
- ◆ Béton
- ◆ Métal
- ◆ Véhicules
- ◆ Extérieures des maisons
- ◆ Extérieures des bâtiments
- ◆ Terrasse
- ◆ Briques
- ◆ Asphalte
- ◆ Bois
- ◆ Garage/Ateliers

Déballage



Dès que l'appareil est déballé, inspectez-le attentivement pour tout signe de dommages en transit. Vérifiez s'il y a des pièces desserrées, manquantes ou endommagées. Assurez-vous de resserrer tous les raccords, boulons, etc. avant d'utiliser la laveuse à pression. Vérifiez pour vous assurer que tous les accessoires fournis sont inclus avec l'appareil. S'il manque toute pièce, **NE RETOURNEZ PAS L'APPAREIL AU DÉTAILLANT**. Consultez le numéro de modèle de l'appareil (sur l'étiquette du numéro de série du cadre de la laveuse à pression) et appelez le 1-800-330-0712 pour les pièces de rechange.

⚠ AVERTISSEMENT *Ne faites pas fonctionner l'appareil s'il est endommagé pendant l'expédition, la manipulation ou l'utilisation. Des dommages peuvent mener à l'éclatement et provoquer des blessures ou des dommages à la propriété.*

CONTENU DE LA BOÎTE

- ◆ Un pulvérisateur haute pression (pompe, moteur, base du chariot)
- ◆ Un assemblage de poignée du chariot
- ◆ Un pistolet de pulvérisation et une lance à raccord rapide
- ◆ Cinq buses de pulvérisation
- ◆ Un flexible haute pression
- ◆ Un détergent de flexible
- ◆ Un paquet d'écrous, boulons et manuels

AUTRES ARTICLES NON INCLUS

- ◆ ANSI Z87 Protection oculaire
- ◆ Boyau d'arrosage

Figure 3

Assemblage et préopération

ASSEMBLAGE ET PRÉOPÉRATION

1. Glissez l'assemblage de poignée sur les pieds inférieurs de la base du chariot. Utilisez le bouton en étoile (fourni) et les boutons pour fixer la poignée aux pieds (voir la figure 4).
2. Faites glisser le tuyau souple clair de détergent en plastique sur le raccord cannelé en laiton (voir la figure 5).
3. Insérez les buses de pulvérisation à connexion rapide dans les supports en caoutchouc sur le devant de la plaquette (voir la figure 6).
4. Fixez le tuyau d'arrosage (non inclus) au raccord d'entrée de la pompe (voir Figure 7).
5. Connectez le flexible haute pression à la sortie de la pompe (voir la Figure 8).
6. Fixez la lance au pistolet (voir la Figure 9).
7. Installez la buse à raccordement rapide (voir la figure 10).

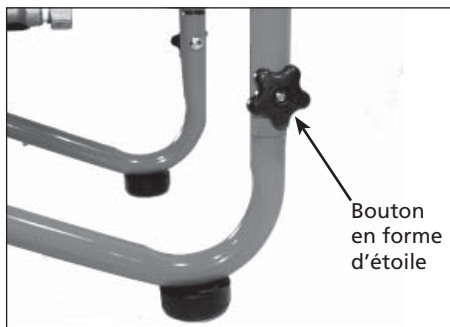


Figure 4 - Assemblez la poignée



Figure 5 - Fixez le tube souple d'aspiration au raccord cannelé



Figure 6 - Insérer des buses de pulvérisation dans le support

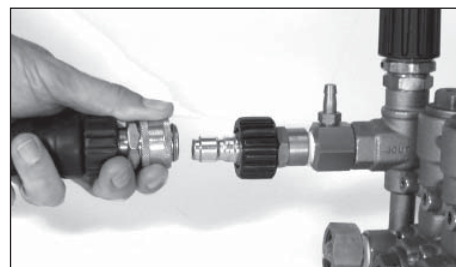


Figure 8 - Connectez le tuyau souple de haute pression à la pompe



Figure 9 - Fixer la lance au pistolet

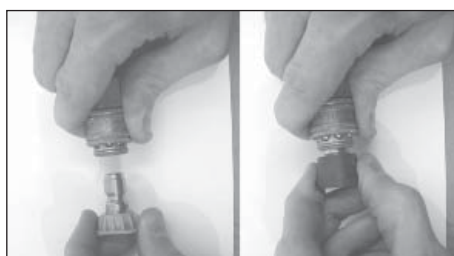


Figure 10 - Buse à raccordement rapide

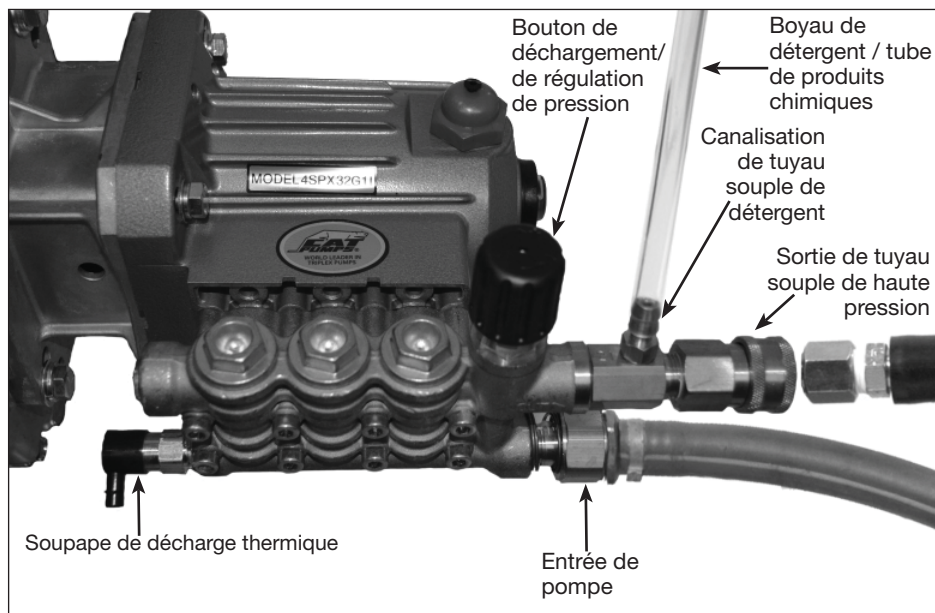


Figure 7 - Raccord de pompe (PW4070 illustré - les autres modèles sont similaires)

VERROU DE SÉCURITÉ DE LA GÂCHETTE

En position engagée, le verrou de sécurité de la gâchette empêche le déclenchement accidentel du pistolet. Poussez entièrement le verrou vers le bas pour l'engager (voir les Figures 11 et 12).

Engagez toujours le verrou de sécurité de la gâchette lorsque vous n'utilisez pas l'appareil.



Figure 11 - Gâchette verrouillée



Figure 12 - Gâchette déverrouillée

Opération

PRÉPARATION DE LA SURFACE

La procédure de nettoyage suivante vous aide à vous organiser pour la tâche de nettoyage et pour vous assurer d'atteindre les meilleurs résultats dans le temps le plus court. gallons à la minute (G/min) plus d'eau à la minute peut se traduire par un nettoyage plus rapide, tout particulièrement en lavant des matériaux comme la boue et le goudron. Rappelez-vous d'utiliser les techniques de pulvérisation/ nettoyage mentionnées dans les sections suivantes.

Avant de commencer un travail de nettoyage à haute pression, préparez la surface à nettoyer. Enlevez les meubles et assurez-vous que toutes les fenêtres et portes sont bien fermées. Protégez aussi toutes vos plantes et arbres près du secteur à nettoyer en couvrant d'une toile pour ne pas les pulvériser de détergent.

DÉMARRAGE

Utilisez TOUJOURS cette procédure de démarrage pour assurer un démarrage exact et sans danger.

AVIS

Si l'eau a gelé dans le pulvérisateur à haute pression, laissez-la dégeler à température ambiante avant de commencer. NE versez PAS d'eau chaude sur ou dans la pompe; les pièces intérieures seraient endommagées.

1. Vérifier le niveau d'huile à moteur. Ajoutez de l'huile si nécessaire.
2. Vérifier le niveau d'essence. Ajouter de l'essence sans plomb (octane classé 86 ou ultérieure) selon les besoins.

⚠ WARNING

NE PAS faire le ravitaillement d'un moteur chaud. Moteur chaud peut provoquer un incendie. Utilisez uniquement de l'essence sans plomb ou ordinaire frais et propre. Fermez la vanne d'arrêt de carburant pendant le ravitaillement.

3. Fixez un tuyau d'arrosage à côté de l'entrée de la pompe et connectez-le à l'alimentation en eau. Utilisez un tuyau d'un diamètre intérieur (D.I.) de 1,58 cm (5/8 po) et d'une longueur de 15 m (50 pieds) ou moins.

⚠ AVERTISSEMENT

Certains codes de plomberie locaux exigent un dispositif de prévention de retour d'eau en connectant à une source d'eau fraîche. Installez un dispositif de prévention de retour en amont de la pompe, au besoin.

- a. Si la pression d'eau d'alimentation dépasse 690 kPa, installez une soupape régulatrice d'eau au raccord du tuyau d'arrosage.
- b. Ne dépassez pas 38° C de température d'eau d'alimentation.

NOTE : L'approvisionnement d'eau d'alimentation doit avoir un débit minimum de 19 lpm (5 gpm).

4. Ouvrez l'alimentation d'eau.

AVIS

Ne laissez jamais l'appareil fonctionner à sec. Assurez-vous que l'alimentation d'eau est en marche avant de faire fonctionner l'appareil.

5. Enfoncez et tenez la gâchette du pistolet jusqu'à ce que la pulvérisation d'eau de la buse indique que tout l'air est sorti du système.
6. Ouvrez la vanne d'arrêt de carburant en tournant le levier vers la droite/position « ON » (marche). Fermez le dispositif de démarrage à froid (si le moteur est froid) en déplaçant le dispositif de démarrage à froid vers la gauche. Déplacez l'accélérateur complètement vers la gauche sur la position « Run » (marche) ou « Rabbit » (lapin). Tournez l'interrupteur

ON/OFF (MARCHÉ/ARRÊT) à la position « ON » (marche) (voir la figure 13).

7. Démarrez le moteur : saisissez le câble du démarreur et maintenez un pied sur le châssis. Tout en appuyant sur le déclencheur du pistolet, tirez rapidement et fermement sur le câble de démarreur. Continuez à tenir le câble lorsqu'il retourne à sa position. Répétez ces étapes jusqu'à ce que le moteur démarre.

⚠ CAUTION

Lorsque vous tirez sur le câble du démarreur, veillez de garder votre main et votre bras à l'écart des composants du moteur et du chariot.

NOTICE

Ne laissez jamais le câble du démarreur retourner à sa position sans le tenir. Cela pourrait bloquer le système de recul.

8. Si le moteur ne démarre pas après deux ou trois tirages de câble ou si le câble est difficile à tirer, pressez la gâchette de pistolet pour relâcher la pression qui s'est accumulée dans le tuyau souple de haute pression. Répétez les étapes 7 et 8 jusqu'à ce que le moteur démarre.

RINÇAGE INITIAL À HAUTE PRESSION

Pulvérisez d'eau la surface à nettoyer pour enlever toute poussière ou saleté accumulée sur la surface. Ceci permet au détergent de s'attacher à la poussière en profondeur qui a pénétré dans la surface à nettoyer.

Enfoncer la gâchette du pistolet 3 à 5 fois

pour sortir tout air enfermé dans le système. Après que la pulvérisation devienne constante, vous devriez peut-être ajuster la pression.

Réglage de pression

Veillez vous référer au manuel de votre pompe CAT pour obtenir les détails spécifiques du réglage de la pression.

Ajuster l'angle d'éventail de pulvérisation

Cinq buses à connexion rapide sont incluses avec ce nettoyeur à pression. Les buses ont une gamme d'angles de dispersion,



Figure 13 - Interrupteur marche/arrêt

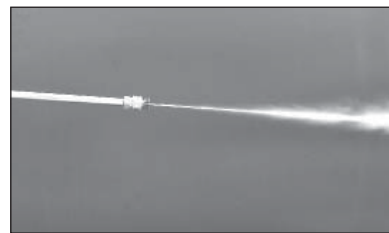


Figure 14 - Jet étroit à fort impact

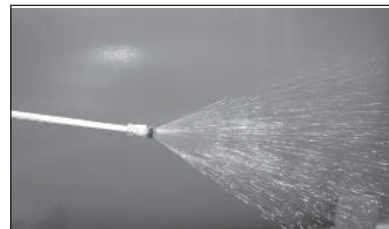


Figure 15 - Motif à éventail large



Figure 16 - Angle optimum par rapport à la surface à nettoyer

Opération (suite)

allant de 0°, étroite à fort impact, à un angle de dispersion plus large de 40°.

La pression s'ajuste aussi en se déplaçant plus près ou plus loin de la surface de nettoyage et en ajustant l'angle d'éventail de pulvérisation tel qu'indiqué.

Angle à la surface de nettoyage

En pulvérisant l'eau contre une surface, vous pouvez obtenir un impact maximum en frappant la surface directement. Ce type d'impact peut toutefois faire pénétrer les particules de poussières dans la surface et ainsi empêcher d'avoir l'action recherchée.

L'angle optimum de pulvérisation d'eau contre une surface de nettoyage est de 45 degrés.

Pulvériser l'eau contre une surface à un angle de 45 degrés pour atteindre le meilleur impact et retirer efficacement les débris.

Distance de la surface à nettoyer

La distance entre l'embout de pulvérisation et la surface de nettoyage est un autre facteur qui affecte la force d'impact de l'eau. La force d'impact de l'eau augmente lorsque l'embout se rapproche de la surface.

Comment éviter d'endommager les surfaces

Les dommages aux surfaces à nettoyer se produisent à cause de la force d'impact de l'eau qui dépasse la durabilité de la surface. Vous pouvez varier la force d'impact en contrôlant l'angle de la buse de pulvérisation sur la surface de nettoyage et la distance de la surface de nettoyage et en changeant de buse de pulvérisation. N'utilisez JAMAIS de jet étroit à fort impact sur une surface qui pourrait être endommagée. Évitez de pulvériser les fenêtres avec un jet étroit à fort impact. Ceci pourrait casser la fenêtre. Le meilleur moyen d'éviter d'endommager les surfaces est de suivre ces étapes :

1. Avant de tirer le pistolet, assurez-vous que la buse à raccordement rapide que vous utilisez est appropriée pour l'application.
2. Placez la buse de pulvérisation à environ 1,22 à 1,52 m (4 à 5 pieds) de la surface de nettoyage. Tenez ensuite la lance et la buse de pulvérisation à un angle de 45 degrés sur la surface de nettoyage. Tirez de la gâchette du pistolet.
3. Variez l'angle du jet à éventail et la distance à la surface à nettoyer jusqu'à ce que vous atteigniez l'efficacité optimale de nettoyage sans endommager la surface.

APPLICATION DE DÉTERGENT

REMARQUE : Utilisez seulement les détergents formulés pour les pulvérisateurs haute pression. Testez le détergent dans un endroit retiré avant de l'utiliser.

Détergents

Utiliser des détergents peut réduire de beaucoup le temps de nettoyage et aider à retirer les taches rebelles. De nombreux détergents sont faits pour le pulvérisateur haute pression pour des tâches de nettoyage précises. Les détergents de pulvérisateur haute pression sont aussi épais que l'eau. Le fait d'utiliser des détergents plus épais - comme le savon

de vaisselle - bloquera le système d'injection chimique et empêchera l'application de détergent.

Appliqués sur la surface, les détergents prennent du temps pour s'attaquer à la poussière et à la saleté. Les détergents fonctionnent mieux appliqués à basse pression.

Vous pouvez nettoyer efficacement les surfaces en combinant l'action chimique des détergents avec les rinçages à haute pression. Pour les surfaces verticales, appliquez le détergent en commençant au bas pour aller vers le haut. La méthode empêche le détergent de glisser vers le bas et de faire des coulisses. Commencez le rinçage haute pression au bas et allez vers le haut. Pour les taches particulièrement rebelles, utilisez une brosse en plus des détergents et du rinçage haute pression.

1. Suivez les directives du fabricant sur l'étiquette pour les bonnes concentrations de mélange de savon/détergents. La proportion de détergent savon à eau dans la pompe est d'environ 10% (1 à 10).
2. Insérez l'extrémité du filtre du tube de détergent de plastique transparent dans le contenant de détergent.
3. Utilisez la buse de pulvérisation à raccordement rapide noire de 65°.

Conseils Généraux de Nettoyage

1. Appliquez le détergent pour couvrir entièrement la surface à nettoyer, de bas en haut pour éviter qu'il ne glisse vers le bas et fasse des marques. Attendez quelques minutes pour que le détergent s'attaque à la poussière et à la saleté. Utilisez une brosse pour frotter un peu les endroits rebelles. Ne laissez jamais le détergent sécher sur la surface à nettoyer.
 2. Pour rincer : remplacez haute pression la buse de pulvérisation noire de 65° par une buse d'une autre couleur.
- ⚠ WARNING**
- Ne remplacez jamais la buse de pulvérisation à raccordement rapide lorsque le pistolet est engagé. Engagez toujours le verrou de la gâchette avant de retirer ou d'installer les buses à raccordement rapide.*
3. Après avoir utilisé les détergents, rincez le système d'aspiration en plaçant le tube d'aspiration de détergent dans un seau d'eau propre et rincez en pulvérisant avec la buse de pulvérisation noire.

PUISSANCE DE NETTOYAGE

Le moyen le plus facile de contrôler la puissance de nettoyage de votre nettoyeur à pression est de changer la distance de la surface à nettoyer. Commencez à pulvériser avec un motif large d'éventail tout en vous plaçant à quelques pieds de la surface. Rapprochez-vous lentement de l'objet que vous nettoyez et ajustez le motif de pulvérisation au besoin jusqu'à ce que vous trouviez la technique de nettoyage la plus efficace.

REMARQUE : L'appareil pourrait aussi avoir un bouton d'ajustement de pression sur la pompe qui peut ajuster la pression.

DERNIER RINÇAGE

Le dernier rinçage devrait commencer du bas vers le haut. Assurez-vous de bien rincer toute la surface et de retirer toute trace de détergent.

PROCÉDURE DE DÉCOMPRESSION

Pour réduire les risques de blessures ou de dommages à la propriété, suivez toujours cette procédure lorsque la

Opération (suite)

pulvérisation est arrêtée, à la fin du travail et avant de vérifier ou réparer toute pièce du système.

1. Engagez le verrou de sécurité de la gâchette.
2. Fermez l'appareil.
3. Coupez l'alimentation d'eau.
4. Désengagez le verrou de sécurité de la gâchette et pressez sur la gâchette pour décompresser.
5. Réengagez le verrou de sécurité de la gâchette.
6. En vérifiant ou réparant l'appareil, retirez la fiche de la prise murale du mur.
7. Avant le stockage nocturne, le stockage à long terme, ou le transport de l'appareil, vous devez couper l'alimentation en eau et fermer la vanne d'alimentation en carburant.

ARRÊT

1. Assurez-vous que tout le détergent est vidé du système.
2. Coupez le moteur.
3. Fermez l'alimentation d'eau.
4. Après avoir coupé le moteur et l'alimentation d'eau, engagez le pistolet pour retirer la pression du système.

AVIS

NE fermez jamais l'alimentation d'eau avant de couper le moteur. Cela pourrait

endommager la pompe et/ou moteur.

ATTENTION

NE déconnectez jamais le flexible de décharge de haute pression de l'appareil tandis que le système est sous pression. Décompressez en coupant le moteur, fermant l'alimentation d'eau et pressant la gâchette 2 ou 3 fois.

5. Après chaque utilisation, essuyez les surfaces du pulvérisateur haute pression avec un chiffon propre et humide.

RANGEMENT

- Ne rangez pas le pulvérisateur haute pression à l'extérieur.
- Ne rangez pas le pulvérisateur haute pression à un endroit où il pourrait geler à moins de le préparer pour l'hiver.

Instructions pour le stockage à long terme (stockage pendant plus de 30 jours)

1. Retirez le carburant du réservoir et faites fonctionner le nettoyeur à haute pression dans un mode de fonctionnement normal jusqu'à ce que le moteur s'arrête en raison d'un manque de carburant. Une mode de fonctionnement normal signifie une pulvérisation de l'eau du pistolet lorsque le moteur est en marche.

Méthode alternative – ajoutez le stabilisateur de carburant à l'essence dans le réservoir et faites fonctionner en mode de fonctionnement normal pendant au moins cinq minutes.

2. Arrêtez le moteur, coupez l'alimentation en eau, et déclenchez le pistolet pour relâcher la pression dans le tuyau souple de haute pression.
3. Débranchez l'alimentation en eau et le tuyau souple de haute pression de la pompe.
4. Laissez refroidir le moteur.
5. Débranchez le fil de bougie et retirez la bougie.

6. Versez 1/2 oz de l'huile à moteur dans le trou de bougie.

AVERTISSEMENT

Ne tirez jamais sur câble du démarreur sur le moteur lorsque la bougie est retirée sauf si le trou de la bougie est couvert. Les vapeurs de carburant du trou peuvent être enflammées par une étincelle.

7. Placez un chiffon sur le trou de la bougie et tirez lentement le câble du démarreur à plusieurs reprises pour faire distribuer l'huile.

Instructions Pour L'hiver

1. Veuillez suivre et compléter les instructions de stockage à long terme ci-dessus.
2. Débranchez le fil de la bougie.
3. Déconnectez le flexible haute pression de la pompe.
4. Insérez une longueur de tuyau d'arrosage de 12 à 14 po dans l'entrée de la pompe.
5. Placez un entonnoir dans l'autre extrémité du tuyau d'arrosage.

AVIS

Lisez les instructions du fabricant pour manipuler et éliminer correctement

l'antigel RV.

6. Versez environ 0,18 L d'antigel RV dans l'entonnoir.
7. Tirer le câble du démarreur à plusieurs reprises jusqu'à ce que l'antigel RV sorte de la sortie de la pompe.
8. Déconnectez le flexible haute pression du pistolet et drainez le flexible. Tenez le pistolet et la tige en position verticale et pressez la gâchette pour drainer toute l'eau.

CONSEILS POUR PROLONGER LA DURÉE DE VIE DE VOTRE PULVERIZATEUR HAUTE PRESSION

1. Ne faites jamais fonctionner l'appareil sans eau.
2. Votre pulvérisateur haute pression ne doit pas pomper d'eau chaude. Ne connectez jamais votre pulvérisateur haute pression à une source d'eau chaude car cela réduira de beaucoup la vie de la pompe.
3. Faire fonctionner l'appareil pendant plus d'une minute sans pulvériser d'eau fera accumuler la chaleur dans la pompe. Faire fonctionner l'appareil sans pulvériser d'eau pourrait endommager les composants de la pompe.

Entretien

Respectez les intervalles d'entretien régulier pour assurer une performance maximum et une longue durée de vie du pulvérisateur. Reportez-vous à l'horaire d'entretien recommandé. Si vous faites fonctionner votre pulvérisateur haute pression dans des conditions poussiéreuses, faites les vérifications d'entretien plus souvent.

INSTRUCTION POUR LA VIDANGE D'HUILE DU MOTEUR

ATTENTION

Avant de basculer le moteur ou l'équipement pour vidanger l'huile, vous devez vidanger le carburant du réservoir de carburant.

Entretien (suite)

REMARQUE : VIDANGEZ L'HUILE LORSQUE LE MOTEUR EST FROID.

1. Débranchez le fil de bougie de la bougie.
2. Localisez et retirez le bouchon de vidange d'huile de moteur (voir la figure 21).
3. Vidangez la vieille huile.
4. Remplacez le bouchon de vidange et réglez l'appareil en position verticale.
5. Remplissez l'appareil avec une nouvelle huile avec un type et une quantité recommandés. Remplissez l'appareil jusqu'au bord inférieur du col de remplissage d'huile.

VERIFICATION DE LA POMPE A HUILE/INSTRUCTIONS DE CHANGEMENT

Veillez vous référer à la page prévue de Spécifications de la pompe AR fournie avec votre nettoyeur à pression pour obtenir plus de détails.

HORAIRE D'ENTRETIEN

HORAIRE D'ENTRETIEN	ACTION NÉCESSAIRE
Chaque jour	<ul style="list-style-type: none"> • Vérifiez le tamis d'entrée d'eau et le filtre • Vérifiez les niveaux d'huile du moteur. Remplissez si nécessaire. • Vérifiez le niveau d'essence. Remplissez si nécessaire.
Après les 5 premières heures de fonctionnement	<ul style="list-style-type: none"> • Changez l'huile de rodage du moteur. Utilisez une huile détergente automobile 10W-30. Consultez le manuel du propriétaire Honda pour obtenir des informations spécifiques.
Chaque 25 heures de fonctionnement	<ul style="list-style-type: none"> • Changez l'huile en cas de fonctionnement sous forte charge ou à une température ambiante élevée. • Nettoyez ou remplacez la cartouche en papier du filtre à air. Tapotez doucement pour enlever la saleté.
Chaque 50 heures de fonctionnement	<ul style="list-style-type: none"> • Changez l'huile. • Remplacez la bougie.
Chaque 100 heures de fonctionnement ou tous les 3 mois	<ul style="list-style-type: none"> • Remplacez la cartouche en papier du filtre à air. • Changez l'huile du moteur.

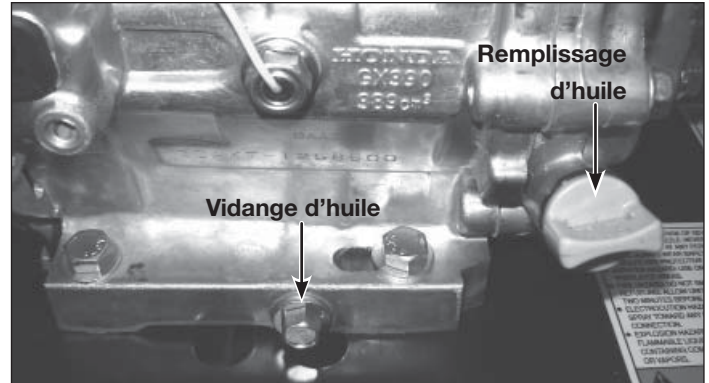


Figure 17 - Vidange d'huile et emplacements de remplissage

INFORMATION TECHNIQUE ET POUR LES CONSOMMATEURS

LAVEUSES À PRESSION À ORIENTATION HORIZONTALE	
Type d'huile à moteur	SAE 10W-30 (voir le manuel du propriétaire de Honda)
Capacité de l'huile à moteur	
Honda GX160	20 oz liq.
Honda GX270	37 oz liq.
Honda GX390	37 oz liq.
Capacité de l'essence à moteur	
Honda GX160	3.1 L (3.3 US quarts)
Honda GX270	5.3 L (5.6 US quarts)
Honda GX390	6.1 L (6.4 US quarts)
Type d'huile de la pompe	d'huile de la CAT pompe
Capacité d'huile de la pompe	
CAT pompes	
4DNX25GSI	251.345 mL (8,5 oz liq.)
4SPX32G1I	300.1355 mL (10,15 oz liq.)
67DX39G1I	532.26 mL (18 oz liq.)
Aspiration de détergent de la pompe	
Rapport d'eau à détergent	10 à 1 (10 % détergent)
Exigences d'alimentation d'air	
Pression d'entrée minimale	138 kPa (20 lb/po ²)
Pression d'entrée maximale	690 kPa (100 lb/po ²)
Température d'entrée maximale	37,7 °C (100 °F)
Débit d'entrée minimal	5 g/min (19 l/min)
Taille de boyau d'arrosage d'entrée	15,9 mm (5/8 po) de D.I.
Longueur de boyau d'arrosage d'entrée maximale	15,24 m (50 pi)

Guide de dépannage

SYMPTÔME	CAUSE(S) POSSIBLE(S)	ACTION CORRECTIVE
Faible pression et/ou pompe tourne de manière irrégulière	<ol style="list-style-type: none"> 1. Embout usé ou de mauvaise taille 2. Filtre d'entrée de la pompe bloquée 3. Joints hydrauliques usés, abrasifs dans l'eau ou usure normale 4. Entrée ou soupapes de décharge polluées ou sales 5. Entrée restreinte 6. Entrée ou soupapes de décharge usées 7. Fuite de flexible haute pression 8. Pompe aspire de l'air 9. Joint de soupape de décharge défectueux ou usé 	<ol style="list-style-type: none"> 1. Remplacez en utilisant un embout de la bonne taille 2. Nettoyez. Vérifiez plus souvent 3. Vérifiez le filtre. Remplacez les joints hydrauliques. Consultez le centre de réparations 4. Nettoyez les assemblages de soupape de décharge et d'entrée. Vérifiez le filtre 5. Vérifiez le tuyau d'arrosage qui pourrait être enfoncé ou tortillé. Vérifiez le débit d'eau d'entrée 6. Remplacez les soupapes usées 7. Remplacez le flexible haute pression 8. Assurez-vous que les tuyaux et raccords soient bien serrés 9. Vérifiez et remplacez
Fuite d'eau sous le collecteur de pompe	Joints hydrauliques usés	Installez de nouveaux joints hydrauliques. Consultez CAT le centre de réparations.
De l'eau dans le carter de la pompe (huile crémeuse)	<ol style="list-style-type: none"> 1. Condensation d'air humide dans le carter 2. Fuites d'huile 	<ol style="list-style-type: none"> 1. Changez l'huile tel qu'indiqué dans l'horaire d'entretien 2. Installez de nouveaux joints d'huile. Consultez CAT le centre de réparations.
Défaillance fréquente ou prématurée des joints hydrauliques de la pompe	<ol style="list-style-type: none"> 1. Pistons usés ou endommagés et rayés 2. Matériau abrasif dans le fluide 3. Température d'eau d'entrée trop élevée 4. Surpression de la pompe 5. Trop de pression suite à un embout endommagé ou partiellement bloqué 6. Pompe tourne trop longtemps sans pulvériser 7. Pompe tourne à sec 	<ol style="list-style-type: none"> 1. Installez de nouveaux pistons. Consultez le centre de réparations. 2. Installez la bonne filtration sur la plomberie d'entrée de la pompe 3. Vérifiez la température de l'eau; ne doit pas dépasser 38°C. 4. Ne modifiez pas les réglages en usine 5. Nettoyez ou remplacez l'embout 6. Ne faites jamais fonctionner la pompe pendant plus de 2 minutes sans pulvériser 7. Ne pompez pas sans eau
Forte pompage à l'entrée et faible pression	Particules étrangères dans la soupape d'entrée ou de décharge ou soupapes de décharge et/ou entrée usées	Nettoyez ou remplacez les soupapes. Consultez CAT le centre de réparations.
Fuite d'huile entre le moteur et la pompe	Joints d'huile et/ou joint torique usés	Remplacez les joints d'huile et/ou joints toriques. Consultez CAT le centre de réparations.
Pression fluctuante	<ol style="list-style-type: none"> 1. Soupape usée, sale ou bloquée 2. Pompe aspire de l'air 3. Embout bloqué 	<ol style="list-style-type: none"> 1. Vidage, vérifiez et remplacez 2. Assurez-vous que les flexibles et raccords sont serrés. Drainez l'air du tuyau d'arrosage 3. Vérifiez ou remplacez
Chutes de pression après la période d'utilisation normale	<ol style="list-style-type: none"> 1. Joints hydrauliques de pompe usés 2. Gicleur usé 3. Soupape usée, sale ou bloquée 4. Joint de soupape de décharge usé ou sale 5. Embout en position de faible kPa 	<ol style="list-style-type: none"> 1. Vérifiez et remplacez 2. Vérifiez et remplacez 3. Vidage, vérifiez, nettoyez ou remplacez 4. Vérifiez, nettoyez ou remplacez 5. Reculez l'embout à la position de haute pression

Suite à la page suivante

Guide de dépannage (suite)

SYMPTÔME	CAUSE(S) POSSIBLE(S)	ACTION CORRECTIVE
Le moteur ne démarre pas ou il est difficile à démarrer	<ol style="list-style-type: none"> 1. Pas d'essence dans le réservoir de carburant ou dans le carburateur 2. Bas niveau d'huile 3. Interrupteur Start/Stop (Marche/Arrêt) en position d'arrêt 4. L'eau présente dans l'essence ou dans le carburant usagé 5. Filtre d'épurateur d'air sale 6. La bougie est sale, un mauvais écartement ou un mauvais type est utilisé 7. Pistolet fermé 8. Autres causes 	<ol style="list-style-type: none"> 1. Remplissez le réservoir avec de l'essence, ouvrez la vanne de coupure de carburant. Vérifiez la canalisation de carburant et le carburateur 2. Vérifier le niveau d'huile. Remplissez si nécessaire 3. Déplacez l'interrupteur à la position de démarrage 4. Videz le réservoir de carburant et le carburateur. Utilisez un nouveau carburant et une bougie sèche 5. Démontez et nettoyez ou remplacez 6. Nettoyez, réglez l'écartement ou remplacez 7. Pistolet vaporisateur à déclenchement 8. Consultez le manuel du propriétaire du moteur
Le moteur manque de puissance	<ol style="list-style-type: none"> 1. Filtre à air partiellement bloqué 2. La bougie est sale, un mauvais écartement ou un mauvais type est utilisé 	<ol style="list-style-type: none"> 1. Démontez et nettoyez ou remplacez 2. Nettoyez, réglez l'écartement ou remplacez
Pompe bruyante/pompe fonctionne de manière irrégulière	<ol style="list-style-type: none"> 1. Pompe aspire de l'air/faible alimentation d'eau 2. Soupapes sales ou usées 3. Roulements usés 4. Eau trop chaude 	<ol style="list-style-type: none"> 1. Assurez-vous que les raccords sont bien serrés. Augmentez la pression d'eau 2. Vidage, vérifiez, nettoyez ou remplacez 3. Vérifiez et remplacez 4. Réduisez la température sous 38°C
Ne tire pas de détergent	<ol style="list-style-type: none"> 1. N'utilise pas la buse de savon 2. Blocage, tortillement ou trou dans le flexible d'aspiration du détergent 3. Flexible trop long 4. Le jet ne fonctionne pas correctement 	<ol style="list-style-type: none"> 1. Installez une buse de savon de 65 degrés (noire) 2. Si c'est propre, étirez ou remplacez le flexible. 3. Utilisez seulement la longueur fournie lors de l'achat initial du pulvérisateur haute pression. L'aspiration de détergent ne fonctionne pas si plus d'une section de flexible est fixé à l'appareil. 4. Retirez le jet du pistolet. Si le détergent est distribué par le pistolet, le jet doit être remplacé. Si aucun détergent n'est distribué par le pistolet, retirez 1 po de tétine de détergent effilée de la pompe. Nettoyez la tétine et assurez-vous que la boule et le ressort soient bien alignés avec la partie effilée du ressort face à la boule. La boule devrait être sur le ressort.

Pour pièces de rechange ou assistance technique, appeler 1-855-504-5678

S'il vous plaît fournir l'information suivante :

- Numéro de Modèle
- Numéro de série (si présent)
- Description et numéro de la pièce

Adresser toute correspondance à :

Campbell Hausfeld
Attn: Customer Service
100 Production Drive
Harrison, OH 45030 U.S.A.

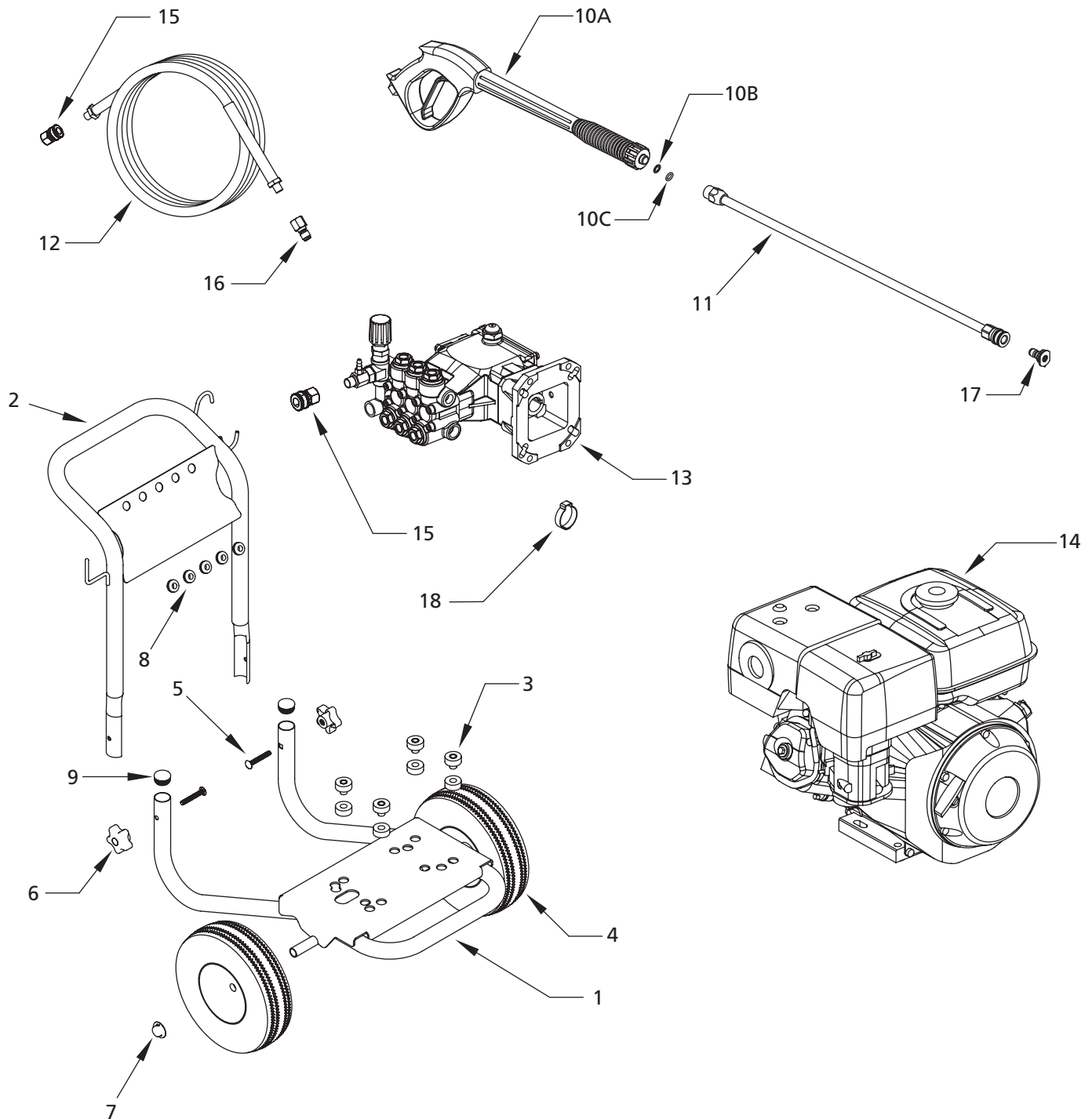


Figure 18 – Illustrations des pièces de réparation

LISTE DE PIÈCES DE RECHANGE

No. de Ref.	Description	PW2770	PW3270	PW4070	Qté.
1	Assemblage de cadre	PM350249SJ	PM350249SJ	PM350249SJ	1
2	Manche équipé	PM350250SJ	PM350250SJ	PM350250SJ	1
3	Assemblage de montage ISO	PM344772SJ	PM344772SJ	PM344772SJ	4 par kit
4	Roue à bandage pneumatique	WA005621AV	WA005621AV	WA005621AV	2
5	Boulon de carrosserie	PM344774SJ	PM344774SJ	PM344774SJ	2 par kit
6	Bouton en forme d'étoile	PM344773SJ	PM344773SJ	PM344773SJ	2 par kit
7	Écrou autofiletteur	PM344775SJ	PM344775SJ	PM344775SJ	2 par kit
8	Passe-fil de caoutchouc	MJ110200AV	MJ110200AV	MJ110200AV	5
9	Bouchon	MJ106802AV	MJ106802AV	MJ106802AV	2
10A	Pistolet	PM005138AV	PM005138AV	PM005138AV	1
10B	Joint torique de pistolet	PM345403SJ	PM345403SJ	PM345403SJ	2
10C	Joint torique de soutien de pistolet	PM232211SV	PM232211SV	PM232211SV	1
11	Lance	PM351378AV	PM351378AV	PM351378AV	1
12	Tuyau haute pression	PM005010AV	PM005012AV	PM005012AV	1
13	Montage de pompe	PM347000SJ	PM347100SJ	PM350251SJ	1
14	Moteur	★	★	★	1
15	Prise - Connexion rapide	PM068070AV	PM068070AV	PM068070AV	2
16	Fiche électrique - connexion rapide	PM068066AV	PM068066AV	PM068066AV	1
17	Buse, Raccord rapide - <i>Taille de l'orifice</i>	#3.00	#3.50	#3.50	
	0° (Rouge)	PM039870AV	PM039700AV	PM039700AV	1
	15° (Jaune)	PM039880AV	PM039710AV	PM039710AV	1
	25° (Vert)	PM039890AV	PM039720AV	PM039720AV	1
	40° (Blanc)	PM039900AV	PM039730AV	PM039730AV	1
	Détergent (Noir)	PM039820AV	PM039820AV	PM039820AV	1
18	1 pouce (2,54 cm) Collier de serrage	*	*	*	1

* Article normal de quincaillerie

★ Pour obtenir un service du moteur ou des pièces de rechange, veuillez appeler Honda au 1-800-426-7701

Pour pièces de rechange ou assistance technique, appeler 1-855-504-5678

S'il vous plaît fournir l'information suivante :

- Numéro de Modèle
- Numéro de série (si présent)
- Description et numéro de la pièce

Adresser toute correspondance à :

Campbell Hausfeld
 Attn: Customer Service
 100 Production Drive
 Harrison, OH 45030 U.S.A.

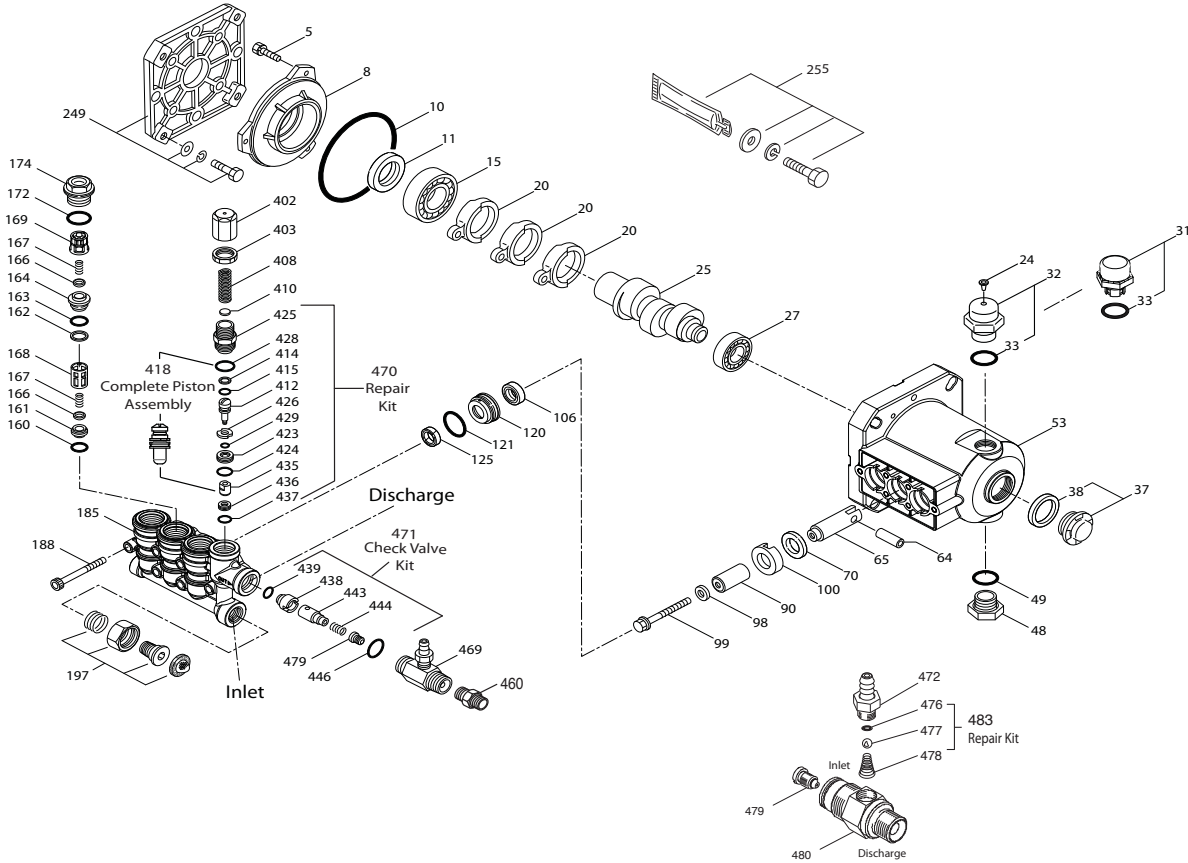


Figure 19 – Illustrations des pièces de réparation pour PM347000SJ modèle PW2770

Liste de Pièces de Rechange pour PM347000SJ

No. de Ref.	Description	Numéro de pièce	Qté.
5	Vis HH (M6-14)	--	--
8	Couvercle de palier	--	--
10	Joint torique du couvercle de palier (70D)	--	--
11	Bague d'étanchéité d'huile (70D)	--	--
15	Palier à roulement à billes intérieur	--	--
20	Bielle	--	--
24	Capuchon de bouchon de l'huile	PM900000AV	1
25	Vilebrequin	--	--
27	Roulements à billes	--	--
32	Capuchon de bouchon de remplissage d'huile	PM345078SV	1

No. de Ref.	Description	Numéro de pièce	Qté.
33	Joint torique du capuchon de remplissage d'huile (70D)	PM345079SV	1
37	Voyant d'huile	PM900200AV	1
38	Joint du verre de la jauge visuelle (80D)	--	--
48	Bouchon de vidange	PM900300AV	1
49	Joint torique du bouchon de vidange (70D)	PM900400AV	1
53	Carter	--	--
64	Tige du croisillon	--	--
65	Tige du plongeur	--	--
69	Joint d'étanchéité d'huile	--	--
70	Joint d'étanchéité d'huile	--	--

LISTE DE PIÈCES DE RECHANGE

No. de Ref.	Description	Numéro de pièce	Qté.
75	Bague de projection d'huile	--	--
90	Plongeur (M14-25.5)	--	--
98 ▲	Rondelle d'étanchéité (90D)	--	--
99	Retenue du plongeur (M6-35)	--	--
100	Retenue du joint d'étanchéité	--	--
106 ▲	LPS Joint		1
120	Joint du verre de la jauge visuelle (80D)	--	--
121 ▲	Affaire de joint torique	--	1
122	Bague de support	--	--
125 ▲	HPS Joint	--	--
127	V-Garniture	--	--
128	Adaptateur mâle	--	--
160 ■	Joint torique du siège d'admission	--	--
161 ■	Siège d'admission	--	--
162 ■	Anneau d'appui du siège de décharge	--	--
163 ■	Joint torique du siège de décharge	--	--
164 ■	Siège de décharge	--	--
166 ■	Soupape	--	--
167 ■	Ressort	--	--
168 ■	Attache de ressort d'entrée	--	--
169 ■	Attache de ressort de sortie	--	--
172 ■	Joint torique de la vanne	--	--
174	Tournant	--	--
185	Tête du collecteur	--	--
188	HSH Vis (M6-60)	--	--
197	Boyau d'arrosage Montage	PM900500AV	1
249	Montage de l'adaptateur assemblée	--	--
255	Boulons de montage	--	--
401	Poignée d'ajustement	--	--
402	Capuchon d'ajustement	--	--
403	Écrou de serrage (M18-1)	--	--
404	Vis de pression (M4-1)	--	--
408	Ressort de pression	--	--
410	Organe de retenue de ressort	--	--
412 ◆	Tige du piston (M5)	--	--
414 ● ◆	Anneau d'appui de la tige de piston	--	--

No. de Ref.	Description	Numéro de pièce	Qté.
415 ● ◆	Joint torique de la tige du piston	--	--
418	Assemblage de piston complet	--	--
423 ◆	Attache de vanne	--	--
424 ● ◆	Joint torique de l'attache de vanne (externe)	--	--
425 ◆	Attache de piston	--	--
426 ◆	Rondelle	--	--
428 ● ◆	Joint torique de l'attache de piston	--	--
429 ● ◆	Soupape de retenue joint torique (Interne)	--	--
430	Anneau d'appui de l'attache de vanne	--	--
435 ◆	Vanne d'assemblage de balle	--	--
436 ◆	Siège	--	--
437 ● ◆	Siège du joint torique	--	--
438 ▼	Siège du clapet antiretour	--	--
439 ● ▼	Joint torique du siège du clapet antiretour	--	--
443 ▼	Clapet antiretour avec joint torique	--	--
444 ▼	Ressort du clapet antiretour	--	--
446 ● ▼	Corps du joint torique	--	--
460	Raccord de décharge (3/8 po NPTF-18)	--	--
469	Injecteur de produits chimiques fixe	--	--
483	Trousses de réparation de l'injecteur	PM901500AV	1

**ACCESSOIRES COMPLÉMENTAIRES NON COMPRIS
NÉCESSAIRES DE PIÈCES DE RECHANGE**

▲	Nécessaire de joint	PM900600AV	1
■	Nécessaire de soupape	PM900900AV	1
●	Nécessaire de joint torique	PM901300AV	1
◆	Nécessaire de piston pièce de rechange	PM901100AV	1
▼	Nécessaire de clapet	PM901600AV	1
--	Pas disponible		
★	Article normal de quincaillerie - disponible à votre quincaillerie locale		

† Veuillez prévoir de 6 à 8 semaines pour la commande

* Considérés des articles d'usure normale

Pour pièces de rechange ou assistance technique, appeler 1-855-504-5678

S'il vous plaît fournir l'information suivante :

- Numéro de Modèle
- Numéro de série (si présent)
- Description et numéro de la pièce

Adresser toute correspondance à :

Campbell Hausfeld
 Attn: Customer Service
 100 Production Drive
 Harrison, OH 45030 U.S.A.

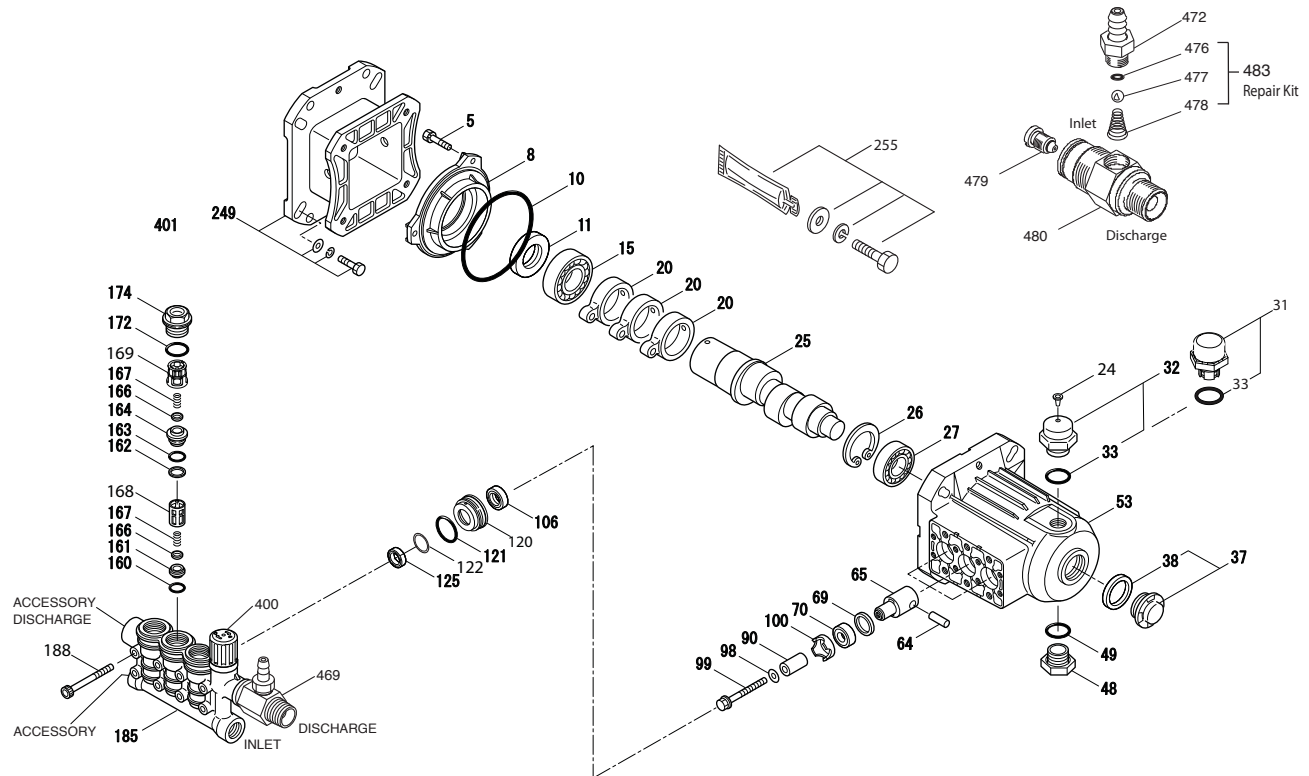


Figure 20 – Illustrations des pièces de réparation pour PM347100SJ modèle PW3270

Liste de Pièces de Rechange pour PM347100SJ

No. de Ref.	Description	Numéro de pièce	Qté.
5	Vis HH (M6-14)	--	--
8	Couvercle de palier	--	--
10	Joint torique du couvercle de palier (70D)	--	--
11	Bague d'étanchéité d'huile (70D)	--	--
15	Palier à roulement à billes intérieur	--	--
20	Bielle	--	--
24	Capuchon de bouchon de l'huile	PM900000AV	1
25	Vilebrequin	--	--
27	Roulements à billes	--	--
32	Capuchon de bouchon de remplissage d'huile	PM345078SV	1
33	Joint torique du capuchon de remplissage d'huile (70D)	PM345079SV	1

No. de Ref.	Description	Numéro de pièce	Qté.
37	Voyant d'huile	PM900200AV	1
38	Joint du verre de la jauge visuelle (80D)	--	--
48	Bouchon de vidange	PM900300AV	1
49	Joint torique du bouchon de vidange (70D)	PM900400AV	1
53	Carter	--	--
64	Tige du croisillon	--	--
65	Tige du plongeur	--	--
69	Joint d'étanchéité d'huile	--	--
70	Joint d'étanchéité d'huile	--	--
75	Bague de projection d'huile	--	--
90	Plongeur (M14-25.5)	--	--
98 ▲	Rondelle d'étanchéité (90D)	--	--

LISTE DE PIÈCES DE RECHANGE

No. de Ref.	Description	Numéro de pièce	Qté.
99	Retenue du plongeur (M6-35)	--	--
100	Retenue du joint d'étanchéité	--	--
106 ▲	LPS Joint	--	--
120	Joint du verre de la jauge visuelle (80D)	--	--
121 ▲	Affaire de joint torique	--	--
122	Bague de support	--	--
125 ▲	HPS Joint	--	--
127	V-Garniture	--	--
128	Adaptateur mâle	--	--
160 ■	Joint torique du siège d'admission	--	--
161 ■	Siège d'admission	--	--
162 ■	Anneau d'appui du siège de décharge	--	--
163 ■	Joint torique du siège de décharge	--	--
164 ■	Siège de décharge	--	--
166 ■	Soupape	--	--
167 ■	Ressort	--	--
168 ■	Attache de ressort d'entrée	--	--
169 ■	Attache de ressort de sortie	--	--
172 ■	Joint torique de la vanne	--	--
174	Tournant	--	--
185	Tête du collecteur	--	--
188	HSH Vis (M6-60)	--	--
197	Boyau d'arrosage Montage	--	--
249	Montage de l'adaptateur assemblée	--	--
255	Boulons de montage	--	--
401	Poignée d'ajustement	--	--
402	Capuchon d'ajustement	--	--
403	Écrou de serrage (M18-1)	--	--
404	Vis de pression (M4-1)	--	--
408	Ressort de pression	--	--
410	Organe de retenue de ressort	--	--
412 ◆	Tige du piston (M5)	--	--
414 ●◆	Anneau d'appui de la tige de piston	--	--
415 ●◆	Joint torique de la tige du piston	--	--
418	Assemblage de piston complet	--	--

No. de Ref.	Description	Numéro de pièce	Qté.
423 ◆	Attache de vanne	--	--
424 ●◆	Joint torique de l'attache de vanne (externe)	--	--
425 ◆	Attache de piston	--	--
426 ◆	Rondelle	--	--
428 ●◆	Joint torique de l'attache de piston	--	--
429 ●◆	Soupape de retenue joint torique (Interne)	--	--
430	Anneau d'appui de l'attache de vanne	--	--
435 ◆	Vanne d'assemblage de balle	--	--
436 ◆	Siège	--	--
437 ●◆	Siège du joint torique	--	--
438 ▼	Siège du clapet antiretour	--	--
439 ●▼	Joint torique du siège du clapet antiretour	--	--
443 ▼	Clapet antiretour avec joint torique	--	--
444 ▼	Ressort du clapet antiretour	--	--
446 ●▼	Corps du joint torique	--	--
460	Raccord de décharge (3/8 po NPTF-18)	--	--
469	Injecteur de produits chimiques fixe	--	--
483	Trousses de réparation de l'injecteur	PM901500AV	1

ACCESSOIRES COMPLÉMENTAIRES NON COMPRIS

NECESSAIRES DE PIÈCES DE RECHANGE

▲	Nécessaire de joint	PM900700AV	1
■	Nécessaire de soupape	PM900900AV	1
●	Nécessaire de joint torique	PM901300AV	1
◆	Nécessaire de piston pièce de rechange	PM901100AV	1
▼	Nécessaire de clapet	PM901600AV	1
--	Pas disponible		
★	Article normal de quincaillerie - disponible à votre quincaillerie locale		

† Veuillez prévoir de 6 à 8 semaines pour la commande

* Considérés des articles d'usure normale

Pour pièces de rechange ou assistance technique, appeler 1-855-504-5678

S'il vous plaît fournir l'information suivante :

- Numéro de Modèle
- Numéro de série (si présent)
- Description et numéro de la pièce

Adresser toute correspondance à :

Campbell Hausfeld
 Attn: Customer Service
 100 Production Drive
 Harrison, OH 45030 U.S.A.

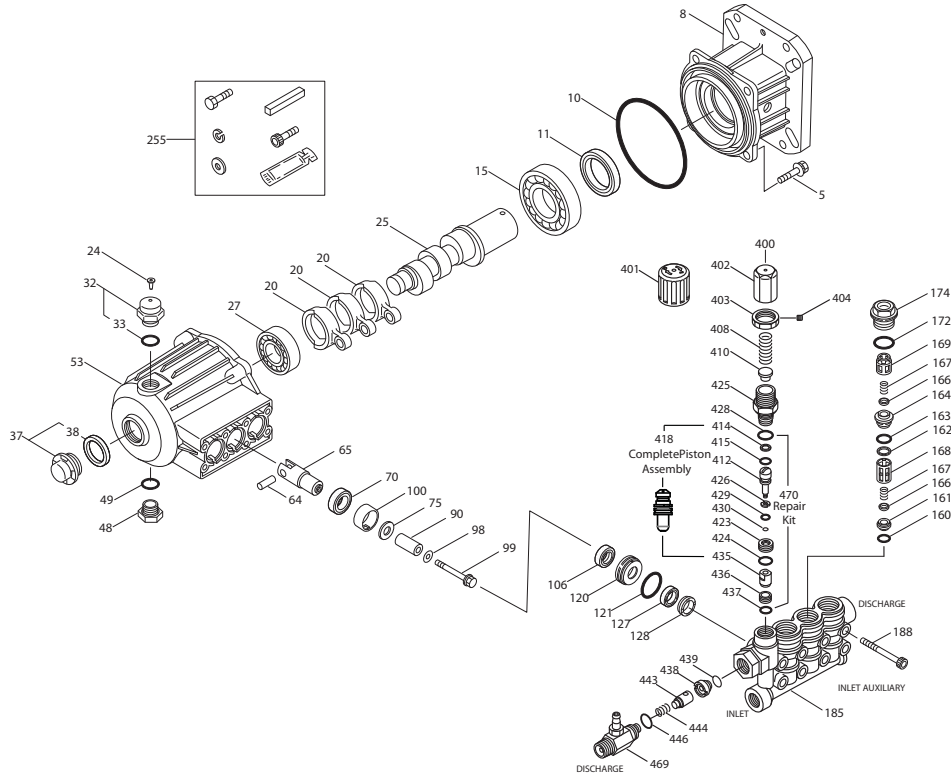


Figure 21 – Illustrations des pièces de réparation pour PW350251SJ modèle PW4070

Liste de Pièces de Rechange pour PM350251SJ

No. de Ref.	Description	Numéro de pièce	Qté.
5	Vis HH (M6-14)	--	--
8	Couvercle de palier	--	--
10	Joint torique du couvercle de palier (70D)	--	--
11	Bague d'étanchéité d'huile (70D)	--	--
15	Palier à roulement à billes intérieur	--	--
20	Bielle	--	--
24	Capuchon de bouchon de l'huile	PM900000AV	1
25	Vilebrequin	--	--
27	Roulements à billes	--	--
32	Capuchon de bouchon de remplissage d'huile	PM900100AV	1
33	Joint torique du capuchon de remplissage d'huile (70D)	--	--

No. de Ref.	Description	Numéro de pièce	Qté.
37	Voyant d'huile	PM900200AV	1
38	Joint du verre de la jauge visuelle (80D)	--	--
48	Bouchon de vidange	PM900300AV	1
49	Joint torique du bouchon de vidange (70D)	PM900400AV	1
53	Carter	--	--
64	Tige du croisillon	--	--
65	Tige du plongeur	--	--
69	Joint d'étanchéité d'huile	--	--
70	Joint d'étanchéité d'huile	--	--
75	Bague de projection d'huile	--	--
90	Plongeur (M14-25.5)	--	--
98 ▲	Rondelle d'étanchéité (90D)	--	--

LISTE DE PIÈCES DE RECHANGE

No. de Ref.	Description	Numéro de pièce	Qté.
99	Retenue du plongeur (M6-35)	--	--
100	Retenue du joint d'étanchéité	--	--
106 ▲	LPS Joint	--	--
120	Joint du verre de la jauge visuelle (80D)	--	--
121 ▲	Affaire de joint torique	--	--
122	Bague de support	--	--
125	HPS Joint	--	--
127 ▲	V-Garniture	--	--
128 ▲	Adaptateur mâle	--	--
160 ■	Joint torique du siège d'admission	--	--
161 ■	Siège d'admission	--	--
162 ■	Anneau d'appui du siège de décharge	--	--
163 ■	Joint torique du siège de décharge	--	--
164 ■	Siège de décharge	--	--
166 ■	Soupape	--	--
167 ■	Ressort	--	--
168 ■	Attache de ressort d'entrée	--	--
169 ■	Attache de ressort de sortie	--	--
172 ■	Joint torique de la vanne	--	--
174	Tournant	--	--
185	Tête du collecteur	--	--
188	HSH Vis (M6-60)	--	--
197	Boyaux d'arrosage Montage	--	--
249	Montage de l'adaptateur assemblée	--	--
255	Boulons de montage	--	--
401	Poignée d'ajustement	--	--
402	Capuchon d'ajustement	--	--
403	Écrou de serrage (M18-1)	--	--
404	Vis de pression (M4-1)	--	--
408	Ressort de pression	--	--
410	Organe de retenue de ressort	--	--
412 ◆	Tige du piston (M5)	--	--
414 ● ◆	Anneau d'appui de la tige de piston	--	--
415 ● ◆	Joint torique de la tige du piston	--	--
418	Assemblage de piston complet	--	--

No. de Ref.	Description	Numéro de pièce	Qté.
423 ◆	Attache de vanne	--	--
424 ● ◆	Joint torique de l'attache de vanne (externe)	--	--
425 ◆	Attache de piston	--	--
426 ◆	Rondelle	--	--
428 ● ◆	Joint torique de l'attache de piston	--	--
429 ● ◆	Soupape de retenue joint torique (Interne)	--	--
430 ● ◆	Anneau d'appui de l'attache de vanne	--	--
435 ◆	Vanne d'assemblage de balle	--	--
436 ◆	Siège	--	--
437 ● ◆	Siège du joint torique	PM901700AV	1
438	Siège du clapet antiretour	PM901800AV	1
439 ●	Joint torique du siège du clapet antiretour	--	--
443	Clapet antiretour avec joint torique	PM901900AV	1
444	Ressort du clapet antiretour	PM902000AV	1
446 ●	Corps du joint torique	PM902100AV	1
460	Raccord de décharge (3/8 po NPTF-18)	--	--
469	Injecteur de produits chimiques fixe	--	--

ACCESSOIRES COMPLÉMENTAIRES NON COMPRIS

NECESSAIRES DE PIÈCES DE RECHANGE

▲	Nécessaire de joint	PM900800AV	1
■	Nécessaire de soupape	PM901000AV	1
●	Nécessaire de joint torique	PM901400AV	1
◆	Nécessaire de piston pièce de rechange	PM901100AV	1
▼	Nécessaire de clapet	PM901600AV	1
--	Pas disponible		
★	Article normal de quincaillerie - disponible à votre quincaillerie locale		

† Veuillez prévoir de 6 à 8 semaines pour la commande

* Considérés des articles d'usure normale

ENREGISTREZ VOTRE PRODUIT EN LIGNE MAINTENANT !
<http://reg.ch-commercial.com>

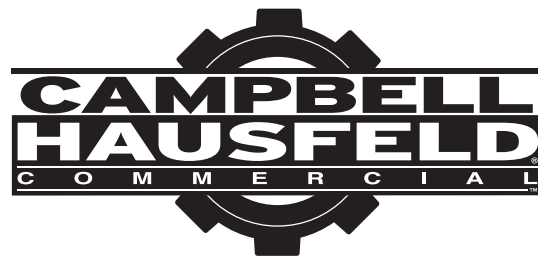
Garantie Limitée

1. DURÉE: À partir de la date d'achat par l'acheteur originel comme suit: Trois (3) ans d'appareil de laveuse à pression, deux (2) ans de pompe et moteur et 90 jours pour les articles d'usure.
2. GARANTIE ACCORDÉE PAR (GARANT): Campbell Hausfeld / Scott Fetzer Company, 100 Production Drive, Harrison, OH 45030, Téléphone: (800) 330-0712.
3. BÉNÉFICIAIRE DE CETTE GARANTIE (ACHETEUR): L'acheteur originel (sauf en cas de revente) du pulvérisateur de lavage Campbell Hausfeld.
4. PRODUITS COUVERTS PAR CETTE GARANTIE: Cette Pulvérisateurs de Lavage Campbell Hausfeld.
5. COUVERTURE DE LA PRÉSENTE GARANTIE: Défauts de matière et de fabrication considérables qui se révèlent pendant la période de validité de la garantie avec les exceptions indiquées ci-dessous.
6. LA PRÉSENTE GARANTIE NE COUVRE PAS:
 - A. Les garanties implicites, y compris celles de commercialisabilité et D'ADAPTION À UNE FONCTION PARTICULIÈRE SONT LIMITÉES À PARTIR DE LA DATE D'ACHAT INITIALE TELLE QU'INDIQUÉE DANS LA SECTION DURÉE. Quelques Provinces (États) n'autorisent pas de limitations de durée pour les garanties implicites. Les limitations précédentes peuvent donc ne pas s'appliquer.
 - B. TOUT DOMMAGE, PERTE OU DÉPENSE FORTUIT OU INDIRECT POUVANT RÉsulTER DE TOUT DÉFAUT, PANNE OU MAUVAIS FONCTIONNEMENT DU PULVÉRISATEUR CAMPBELL HAUSFELD. Quelques Provinces (États) n'autorisent pas l'exclusion ni la limitation des dommages fortuits ou indirects. La limitation ou exclusion précédente peut donc ne pas s'appliquer.
 - C. Toute panne résultant d'un accident, de dommage pendant l'expédition, d'une utilisation abusive, de la négligence ou d'une utilisation ne respectant pas les instructions données dans le(s) manuel(s) accompagnant le produit.
 - D. Service avant livraison; montage, huile ou lubrifiants, et réglages par exemple.
 - E. Articles ou service normalement requis pour l'entretien du pulvérisateur de lavage.
 - F. Articles additionnels qui ne sont pas couverts sous cette garantie:
 1. Articles d'usure normal tels que; tuyaux haute pression, joints d'huile et hydrauliques, joints toriques, soupapes, lances, et buses de pulvérisation.
 2. Les défauts esthétiques qui n'affectent pas la fonction.
 3. Pièces détachées rouillées.
 4. Usure de la pompe ou le dommage aux soupapes causé par l'utilisation de type d'huile incorrect, la contamination de l'huile ou par le manque de suivre les directives d'entretien d'huile.
 - G. Moteur à essence et composants sont expressément exclus de la couverture de cette garantie limitée. Ces composants doivent être retournés par l'acheteur au fabricant d'origine ou à ses stations de réparation agréées pour réaliser des réparations.
7. RESPONSABILITÉS DU GARANT AUX TERMES DE CETTE GARANTIE: Réparation ou remplacement, au choix du Garant, du pulvérisateur de lavage ou de pièce détachée qui se sont révélés défectueux pendant la durée de la garantie.
8. RESPONSABILITÉS DE L'ACHETEUR AUX TERMES DE CETTE GARANTIE:
 - A. Fournir une preuve d'achat datée et un état d'entretien.
 - B. La livraison ou expédition du pulvérisateur de lavage ou pièce détachée Campbell Hausfeld au Centre De Service Autorisé Campbell Hausfeld. Taux de frais, si applicables, sont la responsabilité de l'acheteur.
 - C. Utilisaton et entretien du pulvérisateur de lavage avec un soin raisonable, ainsi que le descri(vent)t le(s) manuel(s) d'utilisation.
9. RÉPARATION OU REMPLACEMENT EFFECTUÉ PAR LE GARANT AUX TERMES DE LA PRÉSENTE GARANTIE: La réparation ou le remplacement sera prévu et exécuté en fonction de la charge de travail dans le centre de service et dépendra de la disponibilité des pièces de rechange.

Cette Garantie Limitée s'applique aux É.-U., au Canada et au Mexique seulement et vous donne des droits juridiques précis. L'acheteur peut également jouir d'autres droits qui varient d'une Province, d'un État ou d'un Pays à l'autre.

MÉMENTO: Gardez votre preuve datée d'achat à fin de la garantie!
Joignez-la à ce manuel ou classez-la dans un dossier pour plus de sécurité.

Lavadoras a presión con motor a gasolina



MODELOS: PW2770, PW3270, PW4070



Figura 1

Descripción

Estas potentes y duraderas lavadoras a presión a gasolina están diseñadas para proyectos industriales. Son estupendas para proyectos en talleres de mantenimiento, granjas y edificios comerciales como por ejemplo para senderos o aceras de hormigón y equipo pesado.

Todos los carros tienen una estructura de acero duradera, están soldados y cubiertos con pintura pulverizada para una larga duración. Estas lavadoras a presión son orgullosamente fabricadas en Kentucky con motores Honda confiables y de trabajo pesado y con bombas de grado comercial.

LEA Y SIGA TODAS LAS INSTRUCCIONES

GUARDE ESTAS INSTRUCCIONES – NO LAS DESECHE

Medidas de Seguridad

Este manual contiene información que es muy importante que sepa y comprenda. Esta información se la suministramos como medida de SEGURIDAD y para EVITAR PROBLEMAS CON EL EQUIPO. Debe reconocer los siguientes símbolos.

⚠ PELIGRO Esto le indica que hay una situación inmediata que **LE OCASIONARIA la muerte o heridas de gravedad.**

⚠ ADVERTENCIA Esto le indica que hay una situación que **PODRIA ocasionarle la muerte o heridas de gravedad.**

⚠ PRECAUCION Esto le indica que hay una situación que **PODRIA ocasionarle heridas no muy graves.**

AVISO Esto le indica una información importante, que de no seguirla, le podría ocasionar daños al equipo.

NOTA: Nota indica información adicional referente al producto o a su uso correcto.

Especificaciones

Modelo	Honda Motor	CAT Bomba	PRESIÓN	FLUJO	BOQUILLA
PW2770	GX160	4DNX25GSI	189,6 BAR / 2750 psi	9,5 L/M	N.º 3.0
PW3270	GX270	4SPX32GII	220,6 BAR / 3200 psi	11,4 L/M	N.º 3.5
PW4070	GX390	67DX39GII	275,8 BAR / 4000 psi	13,3 L/M	N.º 3.5

Sírvase registrar el N° de modelo y el N° de serie para usarlos cuando se ponga en contacto con el fabricante:

N° de modelo: _____

N° de serie: _____

Fecha de compra: _____

Lugar de compra: _____

Para mayor información sobre este producto, comuníquese con el distribuidor de Campbell Hausfeld más cercano a su domicilio.

Medidas de Seguridad

Símbolos de Seguridad

Los siguientes símbolos de seguridad aparecen a lo largo de este manual para advertirle de importantes peligros y precauciones de seguridad.



Lea primero el manual



Riesgo de explosión



Riesgo de incendio



Use protección para los ojos y los oídos



Riesgo de caída



Riesgo de lesiones personales

Importantes Instrucciones De Seguridad

INSTRUCCIONES EN REFERENCIA AL PELIGRO DE INCENDIOS, CHOQUE ELÉCTRICO O LESIONES PERSONALES

Este manual contiene información sobre seguridad, funcionamiento y mantenimiento. Si tiene preguntas, llame al 1-800-330-0712 para obtener asistencia al cliente.

⚠ ADVERTENCIA Cuando se usen herramientas, siempre se deberán seguir precauciones básicas, incluyendo las siguientes:

PROPOSICIÓN 65 DE CALIFORNIA

⚠ ADVERTENCIA Este producto o su cable de corriente pueden contener químicos, incluido plomo, que es conocido por el Estado de California como causante de cáncer y defectos de nacimiento u otros daños reproductivos. Lávese las manos después de manipularlo.

GENERAL

- Para reducir el riesgo de choque eléctrico, incendio y lesiones personales, lea todas las instrucciones antes de usar la herramienta. Si no respeta las advertencias, los riesgos y las recomendaciones, eso podría resultar en la MUERTE o en LESIONES GRAVES.
- Familiarícese con los controles y el uso adecuado del equipo. Siga todas las instrucciones. Póngase en contacto con su representante Campbell Hausfeld si tiene alguna pregunta.
- Sólo se les debe permitir usar esta unidad a aquellas personas bien familiarizadas con estas reglas de manejo seguro.
- Cumpla con todos los códigos de seguridad así como también con la Ley de salud y seguridad ocupacional (OSHA).



ÁREA DE TRABAJO

- Mantenga a todas las personas alejadas del área de funcionamiento.
- Mantenga el área de trabajo limpia y bien iluminada. Los bancos desordenados y las áreas oscuras aumentan el riesgo de choque eléctrico, incendio y lesiones personales.
- No haga funcionar la herramienta en entornos explosivos, como por ejemplo cuando haya polvo, líquidos o gases inflamables. La herramienta puede crear chispas y provocar la ignición de polvo o vapores.
- NUNCA rocíe líquidos inflamables ni use la lavadora a presión en áreas que contengan polvo, líquidos o vapores combustibles.

- Nunca ponga esta máquina en funcionamiento en un edificio cerrado o dentro o cerca de un entorno explosivo.

SEGURIDAD PERSONAL

- Manténgase alerta. Mire lo que está haciendo y use el sentido común cuando haga funcionar la herramienta. No use la herramienta si está cansado o bajo la influencia de drogas, alcohol o medicamentos. Un momento de desatención mientras hace funcionar la herramienta aumenta el riesgo de lesiones personales.
- Vístase adecuadamente. No use alhajas ni vestimenta suelta. Sujétese el cabello largo. Mantenga el cabello, vestimenta y guantes alejados de las piezas móviles. La vestimenta suelta, las alhajas o el cabello largo aumentan el riesgo de lesiones personales como resultado de quedar atrapados en las piezas móviles.
- No intente alcanzar lugares alejados. Mantenga un buen soporte y equilibrio en todo momento. Un soporte y equilibrio adecuados permiten un mejor control de la herramienta en situaciones inesperadas.



⚠ ADVERTENCIA

Riesgo de inyección o lesiones graves. Manténgase alejado de la boquilla. No descargue chorros hacia las personas. Este producto está diseñado para que lo usen únicamente operadores capacitados. Siempre retire la lanza de la pistola antes de limpiar los residuos de la boquilla.

- Manténgase alejado de la boquilla. NUNCA dirija el rociado de alta presión a ninguna persona, animal ni a usted mismo.
- NUNCA coloque la mano ni los dedos sobre la boquilla de rociado mientras opera la unidad.
- NUNCA intente detener ni desviar las pérdidas con partes de su cuerpo.



⚠ ADVERTENCIA

Asegurarse de que la herramienta se use únicamente cuando el operador y todo el resto del personal en el área de trabajo estén usando equipo de protección ocular ANSI Z87, y cuando sea necesario, demás equipo de protección adecuado como para la protección de la cabeza, protección auditiva, guantes, botas de goma, ropa de protección al operar el equipo y realizar el mantenimiento. Pueden ocasionarse lesiones graves o permanentes de ojos y oídos.

USO Y CUIDADO DE LA HERRAMIENTA

⚠ ADVERTENCIA

No ejerza presión que exceda la presión de funcionamiento de cualquiera de las piezas (mangueras, accesorios, etc.) en el sistema presurizado. Asegúrese de que todo el equipo y los accesorios estén clasificados para soportar la máxima presión de funcionamiento de la unidad.



⚠ ADVERTENCIA

Peligro de explosión.

- Cuide su herramienta. Una herramienta mantenida adecuadamente reduce el riesgo de problemas y es más fácil de controlar.
- Asegúrese de que los dispositivos de seguridad estén funcionando correctamente antes de cada uso. NO quite ni modifique ninguna pieza de la pistola o la unidad.
- NUNCA ponga la máquina en funcionamiento sin que los componentes estén debidamente conectados a la máquina (mango, pistola/ensamble de la varilla, boquilla, etc.).
- Aprenda cómo detener este producto y liberar la presión rápidamente. Familiarícese bien con los controles.

Importantes Instrucciones De Seguridad (Continuación)

- e. SIEMPRE enganche el pasador de seguridad del gatillo en la posición segura cuando detiene el rociado, aunque sea solamente por algunos minutos.
- f. NUNCA enganche el mecanismo del gatillo en forma permanente en la pistola.
- g. SIEMPRE siga las recomendaciones que se encuentran en la etiqueta del fabricante para el uso adecuado de detergentes. Siempre protéjase los ojos, la piel y las vías respiratorias del uso de detergentes.
- h. NUNCA desconecte la manguera de descarga de alta presión de la máquina mientras el sistema esté presurizado. Para despresurizar la máquina, apague la corriente eléctrica y el suministro de agua, luego presione el gatillo de la pistola 2 ó 3 veces.
- i. No quite la tapa del tanque de combustible mientras el motor esté caliente o funcionando (deje que el motor se enfríe un par de minutos antes de añadir combustible). Llene siempre lentamente el tanque de combustible.
- j. Siga las instrucciones de mantenimiento que se especifican en el manual.

AVISO

Daño al equipo:

- k. SIEMPRE encienda el suministro de agua antes de encender la lavadora a presión. El poner la bomba seca en funcionamiento provoca graves daños.
- l. No ponga en funcionamiento la lavadora a presión si se ha quitado la rejilla de la entrada de agua. Mantenga la rejilla libre de residuos y sedimentos.
- m. NUNCA opere la lavadora a presión si tiene piezas rotas o si le faltan piezas. Verifique el equipo periódicamente y repare o reemplace las piezas desgastadas o dañadas inmediatamente.
- n. Use sólo la boquilla que se proporciona con esta máquina.

- o. NUNCA deje la varilla de pulverización sin supervisión mientras la máquina está en funcionamiento.
- p. SIEMPRE sostenga la pistola y la varilla de pulverización con firmeza cuando encienda y opere la máquina.
- q. NUNCA permita que la unidad funcione durante más de un (1) minuto sin apretar el gatillo (desactivado). La acumulación de calor producida dañará la bomba.
- r. NUNCA guarde la lavadora a presión a la intemperie o donde pudiera congelarse. Las temperaturas de congelación pueden dañar seriamente la bomba.
- s. NUNCA deje la varilla de pulverización sin supervisión mientras la máquina está en funcionamiento.

SERVICIO

- a. **Al realizarle un servicio a la herramienta, utilice únicamente piezas de repuesto idénticas. Use sólo piezas autorizadas.**

Los símbolos de **PELIGRO, ADVERTENCIA, PRECAUCIÓN, y AVISO** y las instrucciones en este manual no pueden posiblemente cubrir todas las condiciones y situaciones posibles que puedan presentarse. El operador debe entender que la precaución es un factor que no puede ser incluido en el producto, sino que debe ser proporcionada por el operador.

GUARDE ESTAS INSTRUCCIONES – NO LAS DESECHE

NOTA: Los símbolos de PELIGRO, ADVERTENCIA, PRECAUCIÓN, y AVISO y las instrucciones en este manual no pueden posiblemente cubrir todas las condiciones y situaciones posibles que puedan presentarse. El usuario debe entender que las precauciones y el sentido común son factores que no pueden incorporarse en este producto: es el usuario mismo quien debe contribuirlos.

Conozca su Lavadora a Presión

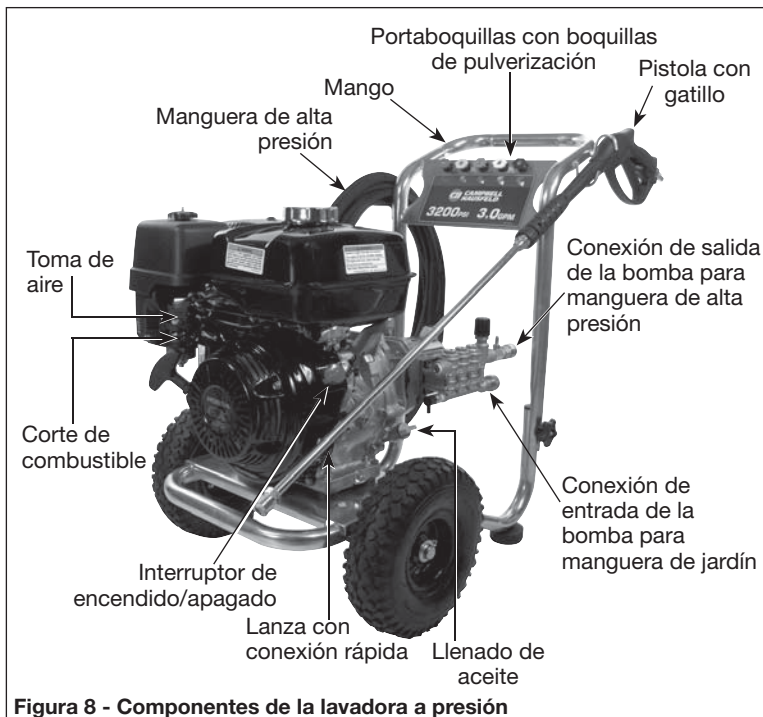
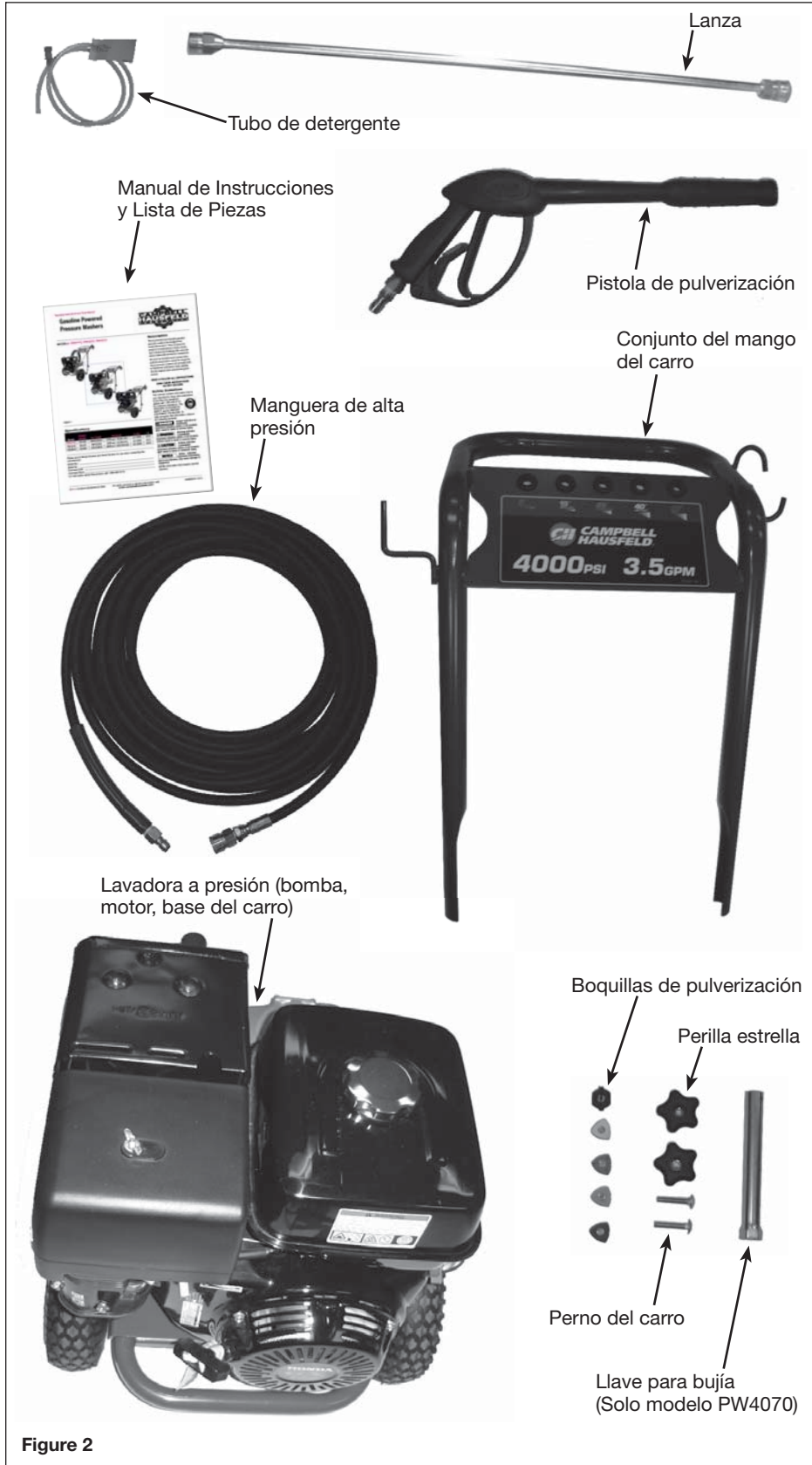


Figura 8 - Componentes de la lavadora a presión

USOS RECOMENDADOS PARA ESTA LAVADORA A PRESIÓN

- ◆ Patio
- ◆ Revestimientos exteriores
- ◆ Hormigón
- ◆ Metal
- ◆ Vehículos
- ◆ Exteriores de casas
- ◆ Exteriores de edificios
- ◆ Terraza
- ◆ Ladrillos
- ◆ Asfalto
- ◆ Madera
- ◆ Garajes/Talleres

Desempaque



Después de desempacar la unidad, inspecciónela detenidamente para detectar cualquier daño que pueda haber ocurrido durante su traslado. Verifique que no haya piezas sueltas, faltantes ni dañadas. Cerciórese de apretar todas las conexiones, pernos, etc. antes de usar la lavadora a presión. Asegúrese de que todos los accesorios proporcionados vengan con la unidad. Si falta alguna de las piezas, **NO DEVUELVA LA UNIDAD AL VENDEDOR**. Busque el número de modelo de la unidad (ubicado en la etiqueta del número de serie en la estructura de la lavadora a presión) y llame 1-800-330-0712 para obtener piezas de repuesto.

⚠ ADVERTENCIA No haga funcionar la unidad si se ha dañado durante el transporte, el manejo o el uso. Los daños podrían ocasionar una explosión y ocasionarle lesiones o daños a la propiedad.

CONTENIDO DE LA CAJA

- ◆ Una lavadora a presión (bomba, motor, base del carro)
- ◆ Un conjunto del mango del carro
- ◆ Una pistola de pulverización y una lanza de conexión rápida
- ◆ Cinco boquillas de pulverización
- ◆ Una manguera de alta presión
- ◆ Una manguera de detergentes
- ◆ Un paquete con tuercas, pernos y manuales

ARTÍCULOS ADICIONALES NO INCLUIDOS

- ◆ Protección para los ojos ANSI Z87
- ◆ Manguera de jardín

Figure 2

Ensamblaje y Antes del Funcionamiento

ENSAMBLAJE Y ANTES DEL FUNCIONAMIENTO

1. Deslice el ensamblaje del mango sobre las patas inferiores de la base del carro. Use la perilla estrella (que se proporciona) y los pernos para asegurar el mango a las patas (Ver Figura 4).
2. Presione la manguera plástica para detergente sobre el conector dentado (Ver Figura 5).
3. Introduzca las boquillas de conexión rápida en los soportes de goma en la parte frontal del letrero (Ver Figura 6).
4. Asegure la manguera de jardín (no se incluye) a la conexión de entrada de la bomba (Ver Figura 7).
5. Conecte la manguera de alta presión a la salida de la bomba (Ver Figura 8).
6. Conecte la lanza a la pistola (Ver Figura 9).
7. Instale la boquilla de conexión rápida (Ver Figura 10).

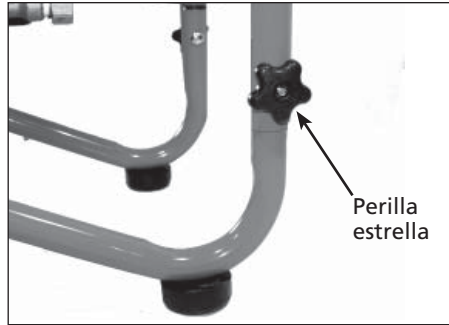


Figura 4 - Ensamblaje del mango



Figura 5 - Conecte el tubo de succión al conector dentado



Figura 6 - Inserte las boquillas de pulverización en el soporte

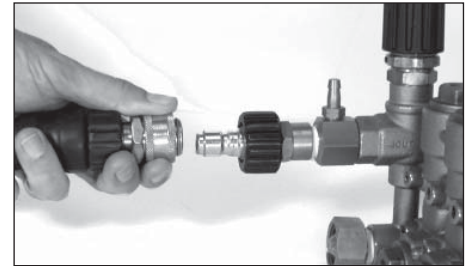


Figura 8 - Conecte la manguera de alta presión a la bomba



Figura 9 - Conecte la lanza a la pistola

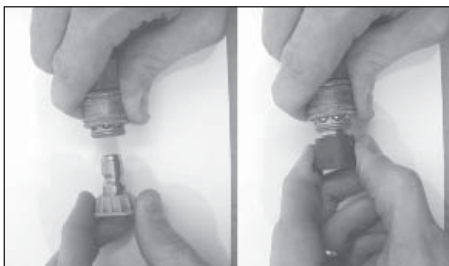


Figura 10 - Boquilla de conexión rápida

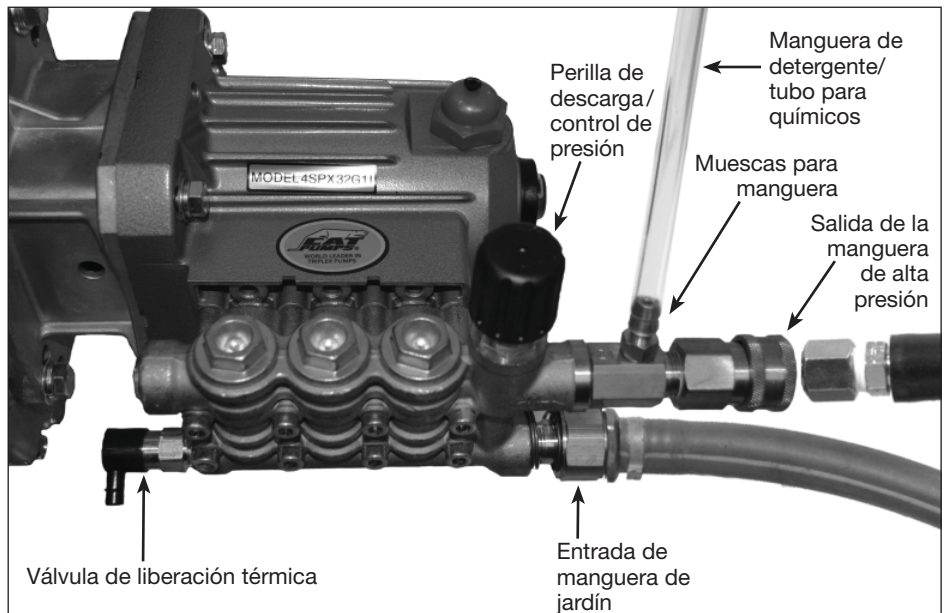


Figura 7 - Conexión de la bomba (Se muestra PW4070 – los demás modelos son similares)

SEGURO DEL GATILLO

En la posición de trabado, el seguro evita que la pistola se dispare accidentalmente. Presione el seguro totalmente hacia abajo para destrabarlo (Ver Figura 11 y 12).

Siempre trabe el seguro del gatillo cuando la unidad no se está usando.



Figure 11 - Gatillo bloqueado



Figure 12 - Gatillo sin trabar

FUNCIONAMIENTO

PREPARACIÓN DE SUPERFICIE

El siguiente procedimiento de limpieza le ayudará a organizar su tarea de limpieza y asegura que logrará el mejor resultado en la menor cantidad de tiempo. Galones por minuto (GPM) más agua por minuto puede significar una limpieza más rápida, especialmente al lavar para quitar materiales como barro y asfalto.

Recuerde usar las técnicas de rociado / limpieza que se mencionan en las secciones siguientes.

Antes de comenzar un trabajo de limpieza de lavado a presión, prepare la superficie que pretende limpiar. Despeje el mobiliario del área y asegúrese de que todas las ventanas y puertas estén bien cerradas. Además proteja todas las plantas y árboles próximos al área de limpieza cubriéndolos con una tela. Al cubrirlos se asegura que sus plantas no sean rociadas con los detergentes.

ENCENDIDO

SIEMPRE use este procedimiento de encendido para asegurar que la unidad arranque apropiadamente y sin peligros.

AVISO

Si el agua se ha congelado dentro de la presión, descongele la lavadora en una habitación tibia antes de arrancar. NO vierta agua caliente sobre o dentro de la bomba; eso daña las partes al interior.

1. Verifique los niveles de aceite del motor. Agregue aceite si es necesario.
2. Revise el nivel de combustible. Añada gasolina sin plomo (de 86 octanos o más) si necesario.

AVERTISSEMENT

NO llene el tanque de combustible con el caliente. Añadir combustible con el motor caliente puede causar un incendio. Use sólo gasolina regular o sin plomo, limpia y reciente. Mientras añade combustible, cierre la válvula de cierre del combustible.

3. Conecte una manguera de jardín a la entrada de la bomba, y conéctela al suministro de agua. Use una manguera con diámetro interno (I.D.) de 15,9 mm (5/8 inch) y 15 m (50 pies) o menos de largo.

AVISO

Algunos códigos de plomería locales exigen una prevención del retroceso del flujo cuando se haga una conexión al suministro de agua. Instale un dispositivo que impida el retroceso del flujo antes de la bomba si fuera necesario.

- a. Si la presión de agua en entrada supera las 100 psi, instale una válvula de regulación de agua en la conexión de la manguera de jardín.
- b. La temperatura del agua en entrada no debe exceder los 100°F (38°C).

NOTA: El suministro de agua de entrada debe tener una velocidad mínima de flujo de 19 lpm (5 gpm).

4. ABRA el suministro de agua.

AVISO

No haga funcionar nunca la unidad en seco. Asegúrese de que el suministro de agua esté completamente abierto antes de hacer funcionar la unidad.

5. **AHale el gatillo de la pistola hasta que pulverice el agua de la boquilla indicando que todo el aire ha sido purgado del sistema. Trabe el seguro del gatillo.**
6. **Abra la válvula de cierre de combustible moviendo la palanca a la derecha en la posición "ON". Cierre la toma de aire (si el motor está frío) moviendo la palanca de la toma de aire totalmente a la izquierda. Mueva el obturador totalmente a la izquierda a la posición de "Run"**

o "Rabbit". Gire el interruptor de encendido/apagado (ON/OFF) en la posición de encendido (ON) (vea Figura 18).

7. Arranque el motor: Destrahe el seguro del gatillo de la pistola. Agarre el cordón de arranque y coloque un pie en el marco. Mientras oprime el gatillo de la pistola, hale del cordón de arranque con rapidez y firmemente. Siga manteniendo el cordón mientras lo devuelve. Repita estos pasos hasta que el motor arranque.

⚠ PRECAUCIÓN *Cuando hale del cordón de arranque, asegúrese de que su mano y brazo no queden enredados con el motor o los componentes del carro.*

AVISO

No deje nunca que el cordón de arranque se devuelva solo. El hacerlo así puede trabar el sistema de retroceso.

8. Si el motor no arranca después de dos o tres jalones, o si el cordón es muy duro para halar, presione el gatillo de la pistola para aliviar la presión que se haya acumulado en la manguera de presión. Repita los pasos 7 y 8 hasta que el motor arranque.



Figura 18 - Interruptor de encendido/apagado

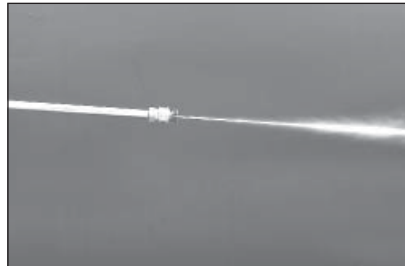


Figura 19 - Chorro angosto de alto impacto

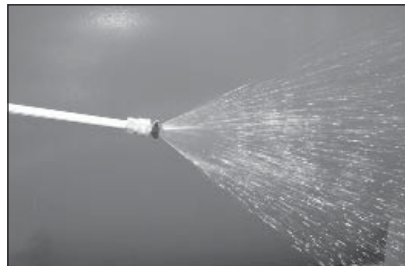


Figura 20 - Patrón de abanico amplio



Figura 21 - Angle optimum par rapport à la surface à nettoyer

ENJUAGUE INICIAL DE ALTA PRESIÓN

Rocíe la superficie a limpiar con agua para quitar la suciedad o las manchas que puedan haberse acumulado sobre la superficie. Hacer esto permite que el detergente ataque la suciedad profunda que se ha introducido dentro de la superficie a limpiar.

Apriete el gatillo de la pistola entre 3 y 5 veces para eliminar cualquier resto de aire que haya quedado en el sistema.

Ajuste de la Presión

Refiérase por favor al manual de su bomba CAT para los detalles específicos de ajuste de presión.

Ajuste del Ángulo del Abanico de Rociado

Esta lavadora a presión incluye cinco boquillas de conexión rápida. Las boquillas tienen un rango de ángulos del abanico de

Funcionamiento (Continuación)

rociado que va de 0°, angosto para gran impacto, a 40° para un abanico ancho.

La presión puede ajustarse también acercándose o alejándose de la superficie a limpiar y cambiando el ángulo del abanico de rociado como se muestra.

Ángulo con la Superficie a Limpieza

Cuando pulverice agua contra una superficie, puede generar el mayor impacto golpeando derecho sobre la superficie. Sin embargo, este tipo de impacto puede causar que las partículas de suciedad queden incrustadas en la superficie previniendo la acción limpiadora deseada.

El ángulo mejor para pulverizar agua contra una superficie de limpieza es de 45 grados.

Pulverice agua contra una superficie a 45 grados para lograr la fuerza de impacto más eficiente y quitar la suciedad eficazmente (vea Figura 21).

Distancia de la Superficie a Limpiar

La distancia entre la superficie y la boquilla de pulverización es otro factor que afecta la fuerza de impacto del agua. La fuerza de impacto del agua aumenta al acercarse la boquilla a la superficie.

Cómo Evitar el daño a las Superficies

El daño a las superficies de limpieza ocurre porque la fuerza de impacto del agua supera la durabilidad de la superficie. Puede variar la fuerza de impacto variando el ángulo de la boquilla de pulverización con la superficie de limpieza, la distancia de la superficie, y cambiando la boquilla. NUNCA utilice un chorro angosto de alto impacto sobre una superficie propensa a ser dañada. Evite rociar las ventanas con un chorro angosto de alto impacto. Hacer esto puede quebrar la ventana. La forma más segura de evitar dañar las superficies es seguir estos pasos:

1. Antes de halar el gatillo de la pistola, asegúrese de que la boquilla que está usando es apropiada para el uso.
2. Coloque la boquilla aproximadamente a 4-5 pies (1,22 – 1,52 m) de distancia de la superficie de limpieza. Luego sostenga la boquilla en un ángulo de 45 grados con respecto a la superficie de limpieza. Hale el gatillo.
3. Varíe el ángulo de rociado del patrón en abanico y la distancia a la superficie de limpieza hasta lograr una óptima eficiencia de limpieza sin dañar la superficie.

APLICACIÓN DE DETERGENTE

NOTA: Use sólo detergentes formulados para lavadora a presión. Pruebe el detergente en un área poco aparente antes de usarlo.

Detergentes

El uso de detergentes puede reducir en gran forma el tiempo de limpieza y puede ayudar a quitar las manchas difíciles. Muchos detergentes están diseñados para ser usados con lavadoras a presión en tareas de limpieza específicas. Los detergentes para lavadoras a presión son igual de espesos que el agua. Si se utilizan detergentes más espesos, como por ejemplo detergentes para lavar vajilla, obstruirán el sistema de inyección de productos químicos y evitarán la aplicación de detergentes.

Una vez aplicados a la superficie a limpiar, los detergentes toman un tiempo para ejercer una acción sobre la suciedad y las

manchas. Los detergentes funcionan mejor cuando se aplican a baja presión.

Usted puede limpiar superficies de un modo efectivo combinando la acción química de los detergentes junto con los enjuagues de alta presión. Sobre superficies verticales, aplique el detergente de abajo hacia arriba. Este método evita que el detergente se deslice y provoque marcas. Comience el enjuague con alta presión de abajo hacia arriba. En manchas particularmente difíciles, utilice un cepillo en combinación con los detergentes y el enjuague a alta presión.

1. Siga las indicaciones del fabricante que aparecen en la etiqueta para utilizar las proporciones de mezcla correctas de los jabones/detergentes. La proporción de jabón/detergente con respecto al agua para la bomba es de aproximadamente 10% (1 a 10).
2. Introduzca el extremo del filtro del tubo de detergente de plástico transparente dentro del recipiente de detergente.
3. Use la boquilla de conexión rápida negra de 65°.

Consejos generales de limpieza

1. Aplique el detergente para que cubra totalmente la superficie a limpiar. Aplique el detergente de abajo hacia arriba para evitar que éste se deslice hacia abajo y deje marcas. Espere un par de minutos para que el detergente actúe sobre la suciedad y las manchas. Utilice un cepillo para cepillar levemente las áreas más sucias. Nunca permita que el detergente se seque sobre la superficie a limpiar.
2. Para enjuagar: cambie la boquilla de pulverización negra de 65° por una boquilla de otro color.

⚠ ADVERTENCIA Nunca reemplace la boquilla de conexión rápida cuando el gatillo de la pistola esté presionado. Siempre coloque el pasador del gatillo en la pistola antes de quitar o instalar boquillas de conexión rápida.

3. Después de usar detergentes, enjuague el sistema de succión colocando el tubo de succión de detergente dentro de un cubo de agua limpia y pulverice con la boquilla pulverizadora negra.

⚠ ADVERTENCIA Nunca reemplace la boquilla de conexión rápida cuando el gatillo de la pistola esté presionado. Siempre coloque el pasador del gatillo en la pistola antes de quitar o instalar boquillas de conexión rápida.

3. Después de usar detergentes, enjuague el sistema de succión colocando el tubo de succión de detergente dentro de un cubo de agua limpia y pulverice con la boquilla pulverizadora negra.

PODER DE LIMPIEZA

La forma más fácil de regular el poder de limpieza de su lavadora a presión es cambiando la distancia a la superficie que está limpiando. Comience a rociar con un patrón de abanico amplio mientras se para a varios pies de la superficie. Acérquese lentamente al objeto que está limpiando, mientras ajusta el patrón de rociado según sea necesario, hasta que encuentre la técnica de limpieza más eficaz.

NOTA: la unidad también puede tener una perilla de ajuste de la presión en la bomba que puede ajustar la presión.

Funcionamiento (Continuación)

ENJUAGUE FINAL

El enjuague final debe comenzar de abajo hacia arriba. Asegúrese de enjuagar totalmente la superficie y de quitar todo el detergente.

PROCEDIMIENTO DE LIBERACIÓN DE PRESIÓN

Para reducir el riesgo de lesiones corporales o daño a la propiedad, siempre siga este procedimiento cuando detiene el rociado, cuando finaliza el trabajo y antes de revisar o reparar cualquier parte del sistema.

1. Coloque el seguro del gatillo.
2. Apague la unidad.
3. Cierre el suministro de agua.
4. Suelte el seguro del gatillo y apriete el gatillo de la pistola para liberar la presión.
5. Vuelva a colocar el seguro del gatillo.
6. Cuando verifique o repare la unidad, quite el cable de encendido de la bujía.
7. Antes de guardar la unidad de un día para el otro, durante un largo tiempo o para transportarla, desconecte el suministro de agua.

APAGADO

1. Asegúrese de enjuagar todo el detergente del sistema.
2. Apague el motor.
3. Cierre el suministro de agua.
4. Después de apagar el motor y cerrar el suministro de agua, apriete el gatillo para quitar la presión del sistema.

AVISO

NUNCA cierre el suministro de agua antes de apagar el motor. Pueden ocurrir daños graves a la bomba y/o al motor.

PRECAUCIÓN

Nunca desconecte la manguera de descarga de alta presión desde la máquina mientras el sistema está presurizado. Para despresurizar apague el motor, cierre el suministro de agua y presione el gatillo 2-3 veces.

5. Después de cada uso, limpie todas las superficies con un paño húmedo y limpio.

ALMACENAMIENTO

- Nunca vaya a guardar la lavadora a presión a la intemperie.
- No guarde la lavadora a presión en un lugar en el que pueda congelarse, a menos que haya sido preparada adecuadamente para el invierno.

Instrucciones para el Almacenamiento a Largo Plazo (Más de 30 Días)

1. Retire el detergente del tanque y haga funcionar la lavadora en modo normal hasta que el motor pare por falta de combustible. El modo de funcionamiento normal significa pulverizar agua de la pistola mientras el motor está funcionando.
Método alternativo – Añada un estabilizador de combustible a la gasolina en el tanque y haga funcionar el motor in modo normal por no menos de cinco minutos.
2. Apague el motor, cierre el suministro de agua y hale el gatillo para aliviar la presión en la manguera de alta presión.
3. Desconecte el suministro de agua y la manguera de alta presión de la bomba.
4. Deje que el motor se enfríe.

5. Desconecte el cable de la bujía y quite la bujía.
6. Vierta 1/2 oz. de aceite de motor en el orificio de la bujía.

ADVERTENCIA

Nunca hale del cordón de arranque después de haber quitado la bujía a menos de que haya cubierto el orificio de la bujía. La chispa puede encender el vapor del combustible.

7. Coloque un trapo sobre el orificio de la bujía y hale lentamente y varias veces del cordón de arranque para distribuir el aceite.

INSTRUCCIONES PARA LA PREPARACIÓN INVERNAL

1. Siga y complete las Instrucciones para el almacenamiento a largo plazo de arriba.
2. Desconecte el cable de la bujía.
3. Desconecte la manguera de alta presión de la bomba.
4. Inserte un tramo de manguera de alta presión de 30 a 35 cm (12 in. -14 in.) en el orificio de entrada de la bomba.
5. Coloque un embudo en el otro extremo de la manguera de jardín.

AVISO

Lea las instrucciones del fabricante para el manejo sin peligros del anticongelante RV.

6. Vierta aproximadamente 6 oz. de anticongelante RV en el embudo.
7. Hale del cordón de arranque varias veces hasta que el anticongelante RV salga del orificio de salida de la bomba.
8. Desconecte la manguera de alta presión de la pistola y drene la manguera. Sostenga la pistola y la lanza en posición vertical y hale el gatillo para drenar el agua.

SUGERENCIAS PARA EXTENDER LA VIDA ÚTIL DE SU LAVADORA A PRESIÓN

1. Nunca haga funcionar la unidad sin agua.
2. Su lavadora a presión no está diseñada para bombear agua caliente. Nunca la conecte a un suministro de agua caliente ya que reducirá en forma significativa la vida útil de la bomba.
3. Hacer funcionar la unidad por más de un minuto sin rociar el agua causa un recalentamiento de la bomba. Hacer funcionar la unidad sin rociar el agua puede dañar los componentes de la bomba.

Mantenimiento

Observe los intervalos regulares del mantenimiento para asegurar la máxima eficiencia y vida útil de la lavadora a presión. Refiérase al programa para el mantenimiento recomendado. Si hace funcionar la lavadora a presión en un ambiente muy polvoroso, haga los controles del mantenimiento con más frecuencia.

INSTRUCCIONES PARA EL CAMBIO DE ACEITE DEL MOTOR

⚠ PRECAUCIÓN Antes de inclinar el motor o el aparato para drenar el aceite, drene el combustible del tanque de combustible.

NOTA: Cambie el aceite con el motor frío.

1. Desconecte de la bujía el cable de la bujía.
2. Localice y retire el tapón de drenaje de aceite del motor (vea la figura 15).
3. Drene el aceite viejo.
4. Vuelva a colocar el tapón de drenaje del aceite y ponga la unidad en posición derecha.
5. Vuelva a llenar la unidad con aceite nuevo del tipo y cantidad recomendados. Llene la unidad hasta el borde inferior del cuello de llenado del aceite.

INSTRUCCIONES PARA VERIFICAR/CAMBIAR EL ACEITE DE LA BOMBA

Por más detalles, refiérase por favor a la página de las Especificaciones de la bomba AR proporcionadas con su Lavadora de Presión.

PLANIFICACIÓN DEL MANTENIMIENTO

PLANIFICACIÓN DEL MANTENIMIENTO	ACCIÓN NECESARIA
A diario	<ul style="list-style-type: none"> • Verificar la rejilla y el filtro de la entrada de agua. • Verificar los niveles de aceite del motor. Llenar según sea necesario. • Verificar el nivel de gasolina. Llenar según sea necesario.
Después de las primeras 5 horas de funcionamiento	<ul style="list-style-type: none"> • Cambiar el aceite de ablande del motor. Use aceite detergente 10W-30. Vea su manual de usuario Honda para la información específica
Cada 25 horas de funcionamiento	<ul style="list-style-type: none"> • Cambiar el aceite si está funcionando con una carga pesada o a una temperatura ambiente elevada. • Limpiar o reemplazar el cartucho de papel del filtro de aire. Golpear suavemente para quitar la suciedad.
Cada 50 horas de funcionamiento	<ul style="list-style-type: none"> • Cambiar el aceite • Reemplazar la bujía.
Cada 100 horas de funcionamiento o cada 3 meses	<ul style="list-style-type: none"> • Reemplazar el cartucho de papel del filtro de aire. • Cambiar el aceite del motor.

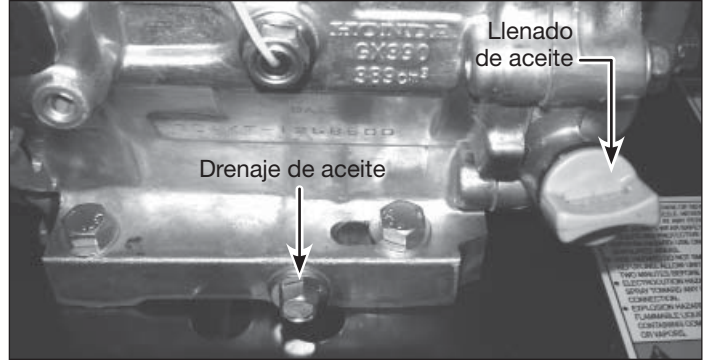


Figure 22 - Puntos de drenaje y llenado

INFORMACIÓN TÉCNICA Y PARA EL CONSUMIDOR

LAVADORAS A PRESIÓN DE ORIENTACIÓN HORIZONTAL	
Tipo de aceite para el motor	SAE 10W-30
Capacidad del aceite para el motor	
Honda GX160	0,59 L (20 fl. oz.)
Honda GX270	1,00 L (37 fl. oz.)
Honda GX390	1,00 L (37 fl. oz.)
Engine Fuel Capacity	
Honda GX160	3,1 L (0,82 gal)
Honda GX270	5,3 L (1,4 gal)
Honda GX390	6,1 L (1,61 gal)*
Tipo de aceite para la bomba	Aceite para bomba CAT
Succión de detergente de la bomba	
Bombas CAT	
3DNX25	251 ml (8.5 fl. oz.)
3SPX30	300 ml (10.15 fl. oz.)
66DX35	532 ml (18 fl. oz.)
Succión de detergente de la bomba	
Relación agua/detergente	10 a 1 (10% de detergente)
Requisitos del suministro de agua	
Presión mínima en entrada	1,38 bar
Presión máxima en entrada	6,90 bar
Temperatura máxima en entrada	37°C (100°F)
Caudal mínimo en entrada	19 L/min (5 gpm)
Tamaño de la manguera de jardín en entrada	D.I. 16 mm - 5/8 in.
Largo máximo de la manguera de jardín en entrada	15 m (50 pies)

Tabla de Identificación de Problemas

PROBLEMA	CAUSA	SOLUCIÓN
La presión baja y/o la bomba funciona toscamente	<ol style="list-style-type: none"> 1. Boquilla desgastada o del tamaño equivocado 2. Filtro de entrada o bomba obstruida 3. Sellos de agua desgastados, abrasivos en el agua, o desgaste natural 4. Válvulas de descarga o de entrada sucias 5. Entrada restringida 6. Válvulas de descarga o de entrada desgastadas 7. Manguera de alta presión con pérdidas 8. Bomba aspira aire 9. Asiento de la válvula de descarga fallado o desgastado 	<ol style="list-style-type: none"> 1. Reemplácela con una boquilla del tamaño adecuado 2. Límpiela. Verifique con más frecuencia 3. Revise el filtro. Cambie los sellos de agua. Consulte el centro de servicio 4. Limpie los ensamblajes de las válvulas de entrada y descarga. Revise el filtro 5. Revise la manguera de jardín, puede estar colapsada o plegada. Revise el flujo de entrada de agua 6. Reemplace las válvulas desgastadas 7. Reemplace la manguera de alta presión 8. Asegúrese de que las mangueras y los accesorios estén ajustados 9. Revíselo y reemplácelo
Pérdida de agua debajo del distribuidor	Sellos de agua desgastados	Instale nuevos sellos de agua. Consulte al centro de servicio CAT
Agua en el cárter de la bomba (aceite lechoso)	<ol style="list-style-type: none"> 1. Aire húmedo se condensa dentro del cárter 2. Sellos de aceite con pérdidas 	<ol style="list-style-type: none"> 1. Cambie el aceite como se especifica en el plan de mantenimiento 2. Instale nuevos sellos de aceite. Consulte al centro de servicio CAT
Fallas frecuentes o prematuras de los sellos de agua de la bomba	<ol style="list-style-type: none"> 1. Émbolos rayados, dañados o desgastados 2. Material abrasivo en el fluido 3. Temperatura del agua de entrada demasiado alta 4. La bomba presuriza demasiado 5. Presión excesiva debido a una boquilla dañada o parcialmente obstruida 6. La bomba funciona demasiado sin rociar 7. La bomba funciona sin agua 	<ol style="list-style-type: none"> 1. Instale émbolos nuevos. Consulte al centro de servicio CAT 2. Instale un filtrado adecuado en la tubería de entrada de la bomba 3. Verifique la temperatura del agua; no puede exceder los 38° C. 4. No modifique ningún valor de fábrica. 5. Limpie o reemplace la boquilla. 6. Nunca haga funcionar la bomba durante más de 1 minuto sin rociar 7. No haga funcionar la bomba sin agua
Fuertes pulsaciones en la entrada y baja presión	Partículas extrañas en la válvula de entrada o de descarga o válvulas de entrada y/o de descarga desgastadas	Limpie o reemplace las válvulas. Consulte al centro de servicio CAT
Pérdidas de aceite entre el motor y la bomba	Anillo O y/o sellos de aceite desgastados	Reemplace el anillo O y/o los sellos de aceite. Consulte el centro de servicio
Presión fluctuante	<ol style="list-style-type: none"> 1. Válvula desgastada, sucia o trabada 2. La bomba aspira aire 3. Boquilla obstruida 	<ol style="list-style-type: none"> 1. Salida, revise y reemplace 2. Asegúrese de que las mangueras y los accesorios están ajustados. Purgue el aire de la manguera de jardín 3. Revise o reemplace

Continúa en la página siguiente

Tabla de Identificación de Problemas (Continuación)

PROBLEMA	CAUSA	SOLUCIÓN
Disminuye la presión luego de un período de uso normal	1. Sellos de agua de la bomba desgastados	1. Revise y reemplace
	2. Boquilla desgastada	1. Revise y reemplace
	3. Válvula desgastada, sucia o atorada	3. Salida, revise, limpie o reemplace
	4. Asiento de la válvula de descarga desgastado o sucio	3. Revise, limpie o reemplace
	5. Boquilla en la posición de presión baja	5. Tire la boquilla hacia atrás a la posición de alta presión
El motor no arranca o arranca con dificultad	1. No hay gasolina en el tanque de combustible o en el carburador	1. Llene el tanque de gasolina, abra la válvula de cierre del combustible. Revise la tubería del combustible y el carburador
	2. Bajo nivel de aceite	2. Verifique el nivel de aceite. Llene si fuese necesario
	3. Interruptor de arranque/apagado (Start/Stop) en posición de apagado	3. Mueva el interruptor a la posición de arranque (start)
	4. Agua en la gasolina o combustible viejo	4. Drene el tanque de combustible y el carburador. Use combustible nuevo y una bujía seca
	5. Filtro de aire sucio	5. Quite y limpie o reemplace
	6. Bujía sucia, luz de electrodos equivocada, o tipo equivocado	6. Limpie, ajuste la luz, o reemplace
	7. Pistola de pulverización cerrada	7. Hale el gatillo de la pistola
	8. Otras causas	8. Consulte el manual del propietario del motor.
El motor pierde o no tiene fuerza	1. Filtro de aire parcialmente atorado	1. Quite y limpie o reemplace
	2. Bujía sucia, luz de electrodos equivocada o tipo equivocado	2. Limpie, ajuste la luz o reemplace
Bomba ruidosa / la bomba funciona toscamente	1. Bomba aspira aire/bajo suministro de agua	1. Asegúrese de que las juntas están ajustadas. Aumente la presión de agua
	2. Válvulas sucias o desgastadas	2. Salida, revise, limpie o reemplace
	3. Juntas desgastadas	3. Revise y reemplace
	4. Agua demasiado caliente	4. Reduzca la temperatura por debajo de 38° C
No succiona detergente	1. La boquilla no se empujó hacia arriba lo suficiente	1. Empuje la boquilla hasta el tope.
	2. Hay una obstrucción, pliegue o perforación en la manguera de succión de detergente	2. Si está limpia, elimine los pliegues o cambie la manguera.
	3. La manguera es demasiado larga	3. Utilice únicamente el largo de manguera que se proporcionó con la compra inicial de la lavadora a presión. La succión del detergente no funciona si se conecta más de una sección de manguera a la unidad.
	4. La lanza no está funcionando adecuadamente	4. Quite la lanza de la pistola. Si se pasa detergente a través de la pistola, la lanza se debe reemplazar. Si no pasa detergente a través de la pistola, quite 1 pulg. del conector de detergente ahusado de la bomba. Limpie el conector, y asegúrese de que la bola y el resorte estén alineados adecuadamente con la porción ahusada del resorte que está frente a la bola. La bola debe estar encima del resorte.

Para Ordenar Repuestos o Asistencia Técnica, Sírvase Llamar al Distribuidor Más Cercano a Su Domicilio

Sírvase proporcionar la siguiente información:

- Número de modelo
- Número de serie (si tiene)
- Descripción y número de la pieza como se muestra en la lista de repuestos

Dirija toda la correspondencia a:

Campbell Hausfeld
Attn: Customer Service
100 Production Drive
Harrison, OH 45030 U.S.A.

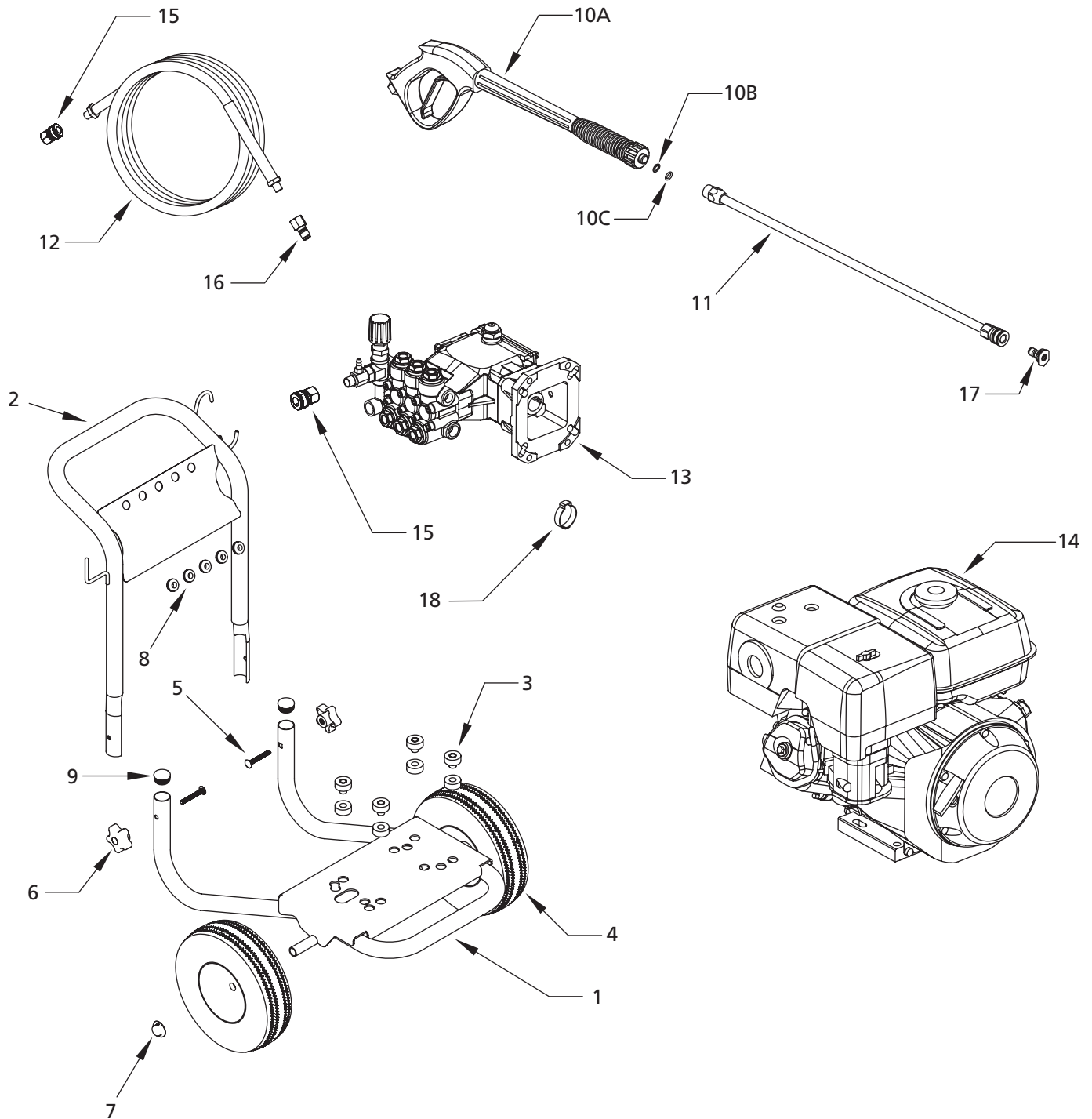


Figura 24 – Ilustración de las piezas de repuesto

Lista de Repuestos

No. de Ref.	Descripción	PW2770	PW3270	PW4070	Ctd.
1	Ensamble del marco	PM350249SJ	PM350249SJ	PM350249SJ	1
2	Ensamble del mango	PM350250SJ	PM350250SJ	PM350250SJ	1
3	Ensamble del montaje ISO	PM344772SJ	PM344772SJ	PM344772SJ	4 por juego
4	Rueda neumática	WA005621AV	WA005621AV	WA005621AV	2
5	Perno del carro	PM344774SJ	PM344774SJ	PM344774SJ	2 por juego
6	Perilla estrella	PM344773SJ	PM344773SJ	PM344773SJ	2 por juego
7	Contratuerca	PM344775SJ	PM344775SJ	PM344775SJ	2 por juego
8	Ojal de goma	MJ110200AV	MJ110200AV	MJ110200AV	5
9	Tapón	MJ106802AV	MJ106802AV	MJ106802AV	2
10A	Pistola	PM005138AV	PM005138AV	PM005138AV	1
10B	Anillo-O de pistola	PM345403SJ	PM345403SJ	PM345403SJ	2
10C	Anillo-O de respaldo para pistola	PM232211SV	PM232211SV	PM232211SV	1
11	Lanza	PM351378AV	PM351378AV	PM351378AV	1
12	Manguera de alta presión	PM005010AV	PM005012AV	PM005012AV	1
13	Ensamble de la bomba	PM347000SJ	PM347100SJ	PM350251SJ	1
14	Motor	★	★	★	1
15	Casquillo - Conexión rápida	PM068070AV	PM068070AV	PM068070AV	2
16	Tapón - Conexión rápida	PM068066AV	PM068066AV	PM068066AV	1
17	Boquillas de conexión rápida - <i>Tamaño del orificio</i>	#3.00	#3.50	#3.50	
	0 (rojo)	PM039870AV	PM039700AV	PM039700AV	1
	15 (amarillo)	PM039880AV	PM039710AV	PM039710AV	1
	25 (verde)	PM039890AV	PM039720AV	PM039720AV	1
	40 (blanco)	PM039900AV	PM039730AV	PM039730AV	1
	Detergente (negro)	PM039820AV	PM039820AV	PM039820AV	1
18	Abrazadera de manguera de 2,54 cm (1 inch)	*	*	*	1
*	Artículo estándar de ferretería - disponible en su ferretería local				
★	Para mantenimiento del motor o repuestos, llame a Honda al 1-800-426-7701				

Para Ordenar Repuestos o Asistencia Técnica, Sírvase Llamar al Distribuidor Más Cercano a Su Domicilio

Sírvase proporcionar la siguiente información:

- Número de modelo
- Número de serie (si tiene)
- Descripción y número de la pieza como se muestra en la lista de repuestos

Dirija toda la correspondencia a:

Campbell Hausfeld
 Attn: Customer Service
 100 Production Drive
 Harrison, OH 45030 U.S.A.

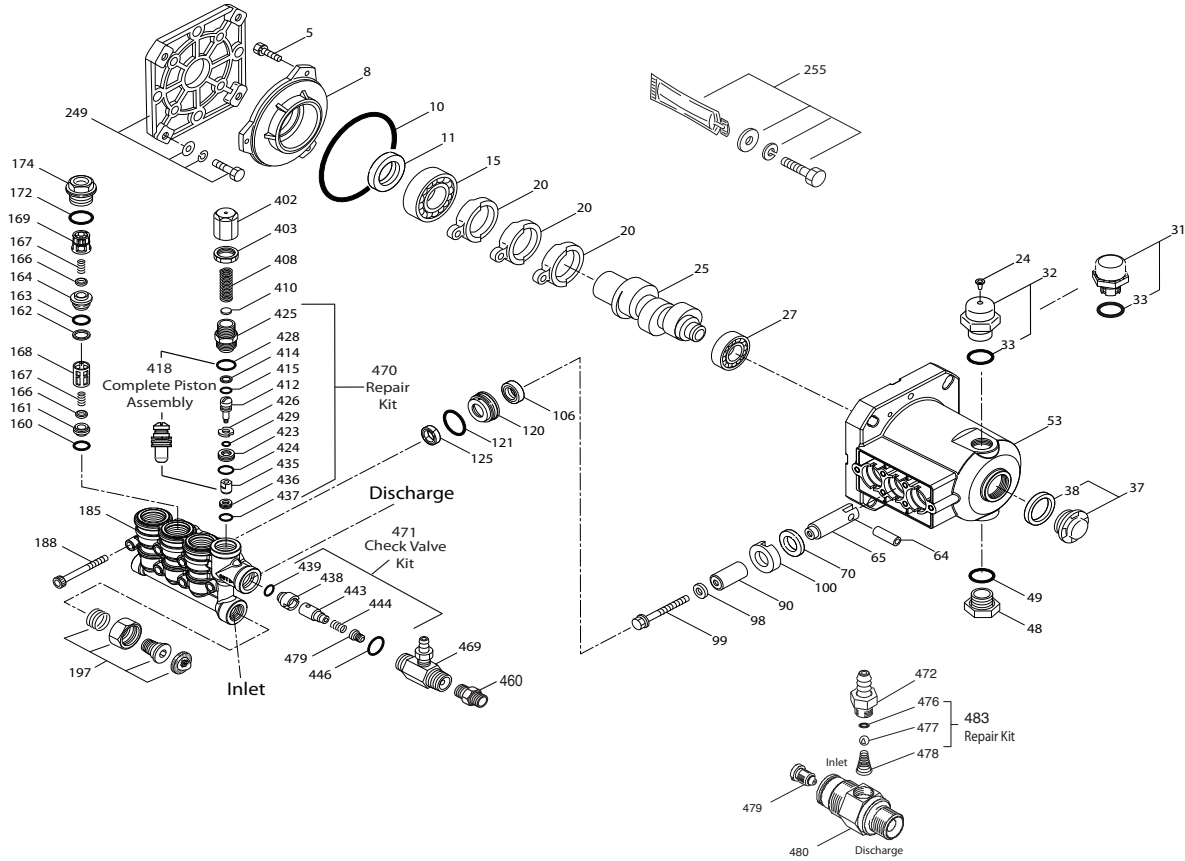


Figure 23 – Ilustración de las piezas de repuesto PM347000SJ model PW2770

Lista de Repuestos para PM347000SJ

No. de Ref.	Descripción	No. de parte	Ctd.	No. de Ref.	Descripción	No. de parte	Ctd.
5	Tornillo HH (M6-14)	--	--	37	Visor de aceite	PM900200AV	1
8	Cubierta del cojinete	--	--	38	Junta de la mirilla (80D)	--	--
10	Junta tórica de la cubierta del cojinete (70D)	--	--	48	Tapón del orificio de drenaje	PM900300AV	1
11	Sellos del orificio de lubricación (70D)	--	--	49	Junta tórica del tapón de vaciado (70D)	PM900400AV	1
15	Cojinete interior de bolas	--	--	53	Manualidades	--	--
20	Barra conectora	--	--	64	Pasador de la cruceta	--	--
24	Tapón del aceite	PM900000AV	1	65	Vástago impulsor	--	--
25	Cigüeñal	--	--	69	Arandela del sello de aceite	--	--
27	Cojinete de bolas	--	--	70	Sello de aceite	--	--
32	Tapón del llenado de aceite	PM345078SV	1	75	Anillo deflector de barrera	--	--
33	Junta tórica del tapón de llenado del aceite (70D)	PM345079SV	1	90	Émbolo (M14-25.5)	--	--
				98 ▲	Arandela de sello (90D)	--	--

Lista de Repuestos

No. de Ref.	Descripción	No. de parte	Ctd.	No. de Ref.	Descripción	No. de parte	Ctd.
99	Perno sujetador del émbolo (M6-35)	--	--	418	Ensamble completo del pistón	--	--
100	Retenedor de sello	--	--	423 ◆	Retenedor de válvula	--	--
106 ▲	LPS Sello	--	--	424 ● ◆	Junta tórica del retenedor de válvula (exterior)	--	--
120	Caja de sello (80D)	--	--	425 ◆	Attache de piston	--	--
121 ▲	Junta tórica de la caja de sello	--	--	426 ◆	Arandela	--	--
122	Anillo de soporte	--	--	428 ● ◆	Junta tórica del retenedor del pistón	--	--
125 ▲	HPS Sello	--	--	429 ● ◆	Junta tórica del retenedor de válvula (Interior)	--	--
127	V-Embalaje	--	--	430	Anillo de respaldo del retenedor de válvula	--	--
128	Adaptador macho	--	--	435 ◆	Ensamble de la válvula de bola	--	--
160 ■	Junta tórica del asiento de entrada	--	--	436 ◆	Asiento	--	--
161 ■	Asiento de entrada	--	--	437 ● ◆	Junta tórica del asiento	--	--
162 ■	Anillo de respaldo del asiento de descarge	--	--	438 ▼	Asiento de la válvula de retención	--	--
163 ■	Junta tórica del asiento de descarga	--	--	439 ● ▼	Junta tórica del asiento de la válvula de retención	--	--
164 ■	Asiento de descarga	--	--	443 ▼	Válvula de retención con junta tórica	--	--
166 ■	Válvula	--	--	444 ▼	Resorte de la válvula de retención	--	--
167 ■	Resorte	--	--	446 ● ▼	Junta tórica del cuerpo	--	--
168 ■	Retendor del resorte de entrada	--	--	460	Acoplamiento de descarga (3/8 po NPTF-18)	--	--
169 ■	Retenedor del resorte de descarga	--	--	469	Inyector químico fijo	--	--
172 ■	Junta tórica del tapón de válvula	--	--	483	Kit de reparación del inyector	PM901500AV	1
174	Tapón de la válvula	--	--				
185	Cabeza del múltiple	--	--				
188	HSH Tornillo (M6-60)	--	--				
197	Juego de manguera de jardín	PM900500AV	1				
249	Adaptador de montaje assy	--	--				
255	Mounting Bolt Assy	--	--				
401	Manija del ajustador	--	--				
402	Tapón del ajustador	--	--				
403	Tuerca de seguridad (M18-1)	--	--				
404	Tornillo fijador (M4-1)	--	--				
408	Resorte de presión	--	--				
410	Retén de resorte	--	--				
412 ◆	Vastago del pistón (M5)	--	--				
414 ● ◆	Anillo de respaldo del vastago del pistón	--	--				
415 ● ◆	Junta tórica del vastago del pistón	--	--				

ACCESORIOS ADICIONALES NO INCLUIDOS			
JUEGOS DE REPUESTOS			
▲	Juego de sello	PM900700AV	1
■	Juego de válvulas	PM900900AV	1
●	Juego de anillos en o	PM901300AV	1
◆	Juego de pistón repuesto	PM901100AV	1
▼	Juego de válvula de chequeo	PM901600AV	1
--	No disponible		
★	Pieza de ferretería estándar, disponible en sus ferreterías locales		
†	Permita 6 u 8 semanas para ordenar		
*	Se consideran artículos con desgaste normal		

Para Ordenar Repuestos o Asistencia Técnica, Sírvase Llamar al Distribuidor Más Cercano a Su Domicilio

Sírvase proporcionar la siguiente información:

- Número de modelo
- Número de serie (si tiene)
- Descripción y número de la pieza como se muestra en la lista de repuestos

Dirija toda la correspondencia a:

Campbell Hausfeld
 Attn: Customer Service
 100 Production Drive
 Harrison, OH 45030 U.S.A.

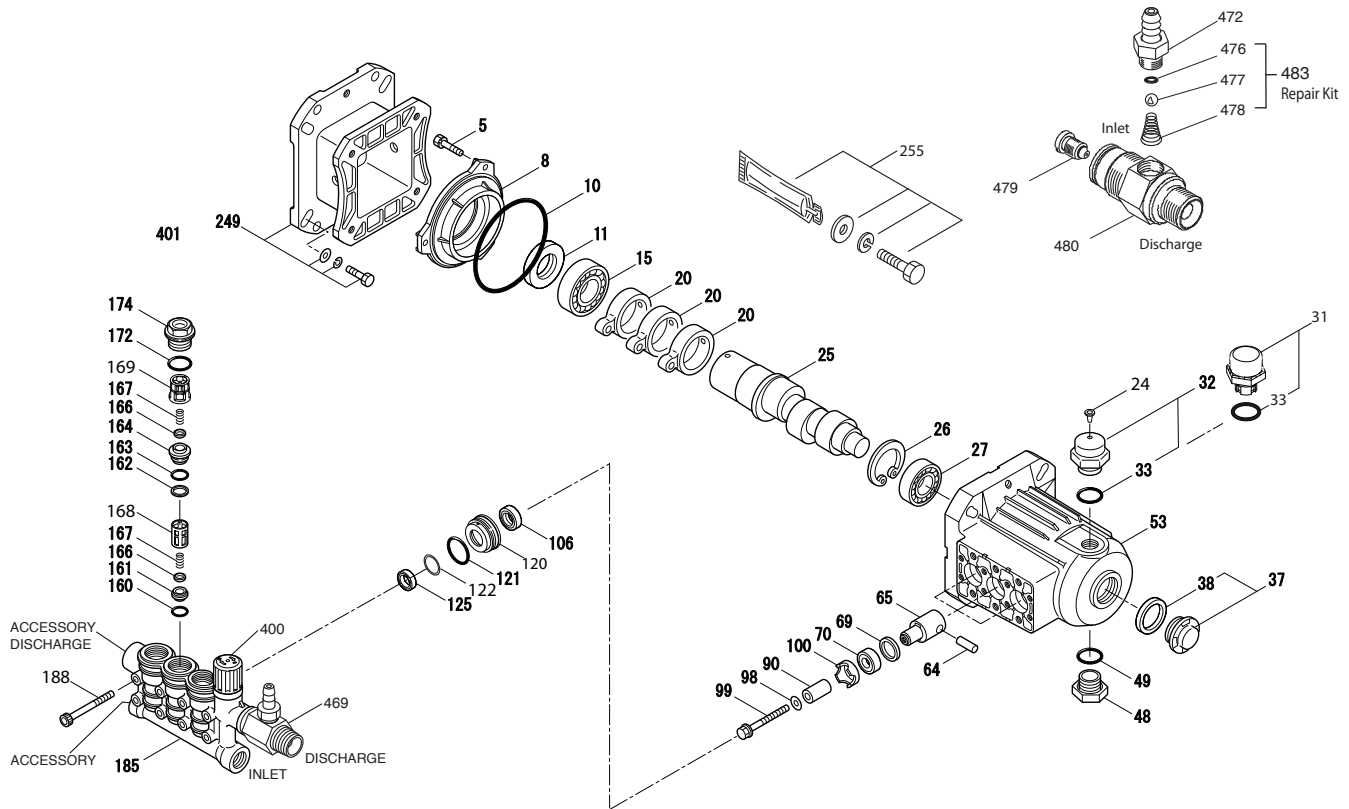


Figure 24 – Ilustración de las piezas de repuesto PM347100SJ model PW3270

Lista de Repuestos para PM347100SJ

No. de Ref.	Descripción	No. de parte	Ctd.	No. de Ref.	Descripción	No. de parte	Ctd.
5	Tornillo HH (M6-14)	--	--	37	Visor de aceite	PM900200AV	1
8	Cubierta del cojinete	--	--	38	Junta de la mirilla (80D)	--	--
10	Junta tórica de la cubierta del cojinete (70D)	--	--	48	Tapón del orificio de drenaje	PM900300AV	1
11	Sellos del orificio de lubricación (70D)	--	--	49	Junta tórica del tapón de vaciado (70D)	PM900400AV	1
15	Cojinete interior de bolas	--	--	53	Manualidades	--	--
20	Barra conectora	--	--	64	Pasador de la cruceta	--	--
24	Tapón del aceite	PM900000AV	1	65	Vástago impulsor	--	--
25	Cigüeñal	--	--	69	Arandela del sello de aceite	--	--
27	Cojinete de bolas	--	--	70	Sello de aceite	--	--
32	Tapón del llenado de aceite	PM345078SV	1	75	Anillo deflector de barrera	--	--
33	Junta tórica del tapón de llenado del aceite (70D)	PM345079SV	1	90	Émbolo (M14-25.5)	--	--
				98 ▲	Arandela de sello (90D)	--	--

Lista de Repuestos

No. de Ref.	Descripción	No. de parte	Ctd.	No. de Ref.	Descripción	No. de parte	Ctd.
99	Perno sujetador del émbolo (M6-35)	--	--	418	Ensamble completo del pistón	--	--
100	Retenedor de sello	--	--	423 ◆	Retenedor de válvula	--	--
106 ▲	LPS Sello	--	--	424 ● ◆	Junta tórica del retenedor de válvula (exterior)	--	--
120	Caja de sello (80D)	--	--	425 ◆	Attache de piston	--	--
121 ▲	Junta tórica de la caja de sello	--	--	426 ◆	Arandela	--	--
122	Anillo de soporte	--	--	428 ● ◆	Junta tórica del retenedor del pistón	--	--
125 ▲	HPS Sello	--	--	429 ● ◆	Junta tórica del retenedor de válvula (Interior)	--	--
127	V-Embalaje	--	--	430	Anillo de respaldo del retenedor de válvula	--	--
128	Adaptador macho	--	--	435 ◆	Ensamble de la válvula de bola	--	--
160 ■	Junta tórica del asiento de entrada	--	--	436 ◆	Asiento	--	--
161 ■	Asiento de entrada	--	--	437 ● ◆	Junta tórica del asiento	--	--
162 ■	Anillo de respaldo del asiento de descarge	--	--	438 ▼	Asiento de la válvula de retención	--	--
163 ■	Junta tórica del asiento de descarga	--	--	439 ● ▼	Junta tórica del asiento de la válvula de retención	--	--
164 ■	Asiento de descarga	--	--	443 ▼	Válvula de retención con junta tórica	--	--
166 ■	Válvula	--	--	444 ▼	Resorte de la válvula de retención	--	--
167 ■	Resorte	--	--	446 ● ▼	Junta tórica del cuerpo	--	--
168 ■	Retendor del resorte de entrada	--	--	460	Acoplamiento de descarga (3/8 po NPTF-18)	--	--
169 ■	Retenedor del resorte de descarga	--	--	469	Inyector químico fijo	--	--
172 ■	Junta tórica del tapón de válvula	--	--	483	Kit de reparación del inyector	PM901500AV	1
174	Tapón de la válvula	--	--	ACCESORIOS ADICIONALES NO INCLUIDOS			
185	Cabeza del múltiple	--	--	JUEGOS DE REPUESTOS			
188	HSH Tornillo (M6-60)	--	--	▲	Juego de sello	PM900700AV	1
197	Juego de manguera de jardín	--	--	■	Juego de válvulas	PM900900AV	1
249	Adaptador de montaje assy	--	--	●	Juego de anillos en o	PM901300AV	1
255	Mounting Bolt Assy	--	--	◆	Juego de pistón repuesto	PM901100AV	1
401	Manija del ajustador	--	--	▼	Juego de válvula de chequeo	PM901600AV	1
402	Tapón del ajustador	--	--	--	No disponible		
403	Tuerca de seguridad (M18-1)	--	--	★	Pieza de ferretería estándar, disponible en sus ferreterías locales		
404	Tornillo fijador (M4-1)	--	--	†	Permita 6 u 8 semanas para ordenar		
408	Resorte de presión	--	--	*	Se consideran artículos con desgaste normal		
410	Retén de resorte	--	--				
412 ◆	Vastago del pistón (M5)	--	--				
414 ● ◆	Anillo de respaldo del vastago del pistón	--	--				
415 ● ◆	Junta tórica del vastago del pistón	--	--				

Para Ordenar Repuestos o Asistencia Técnica, Sírvase Llamar al Distribuidor Más Cercano a Su Domicilio

Sírvase proporcionar la siguiente información:

- Número de modelo
- Número de serie (si tiene)
- Descripción y número de la pieza como se muestra en la lista de repuestos

Dirija toda la correspondencia a:

Campbell Hausfeld
 Attn: Customer Service
 100 Production Drive
 Harrison, OH 45030 U.S.A.

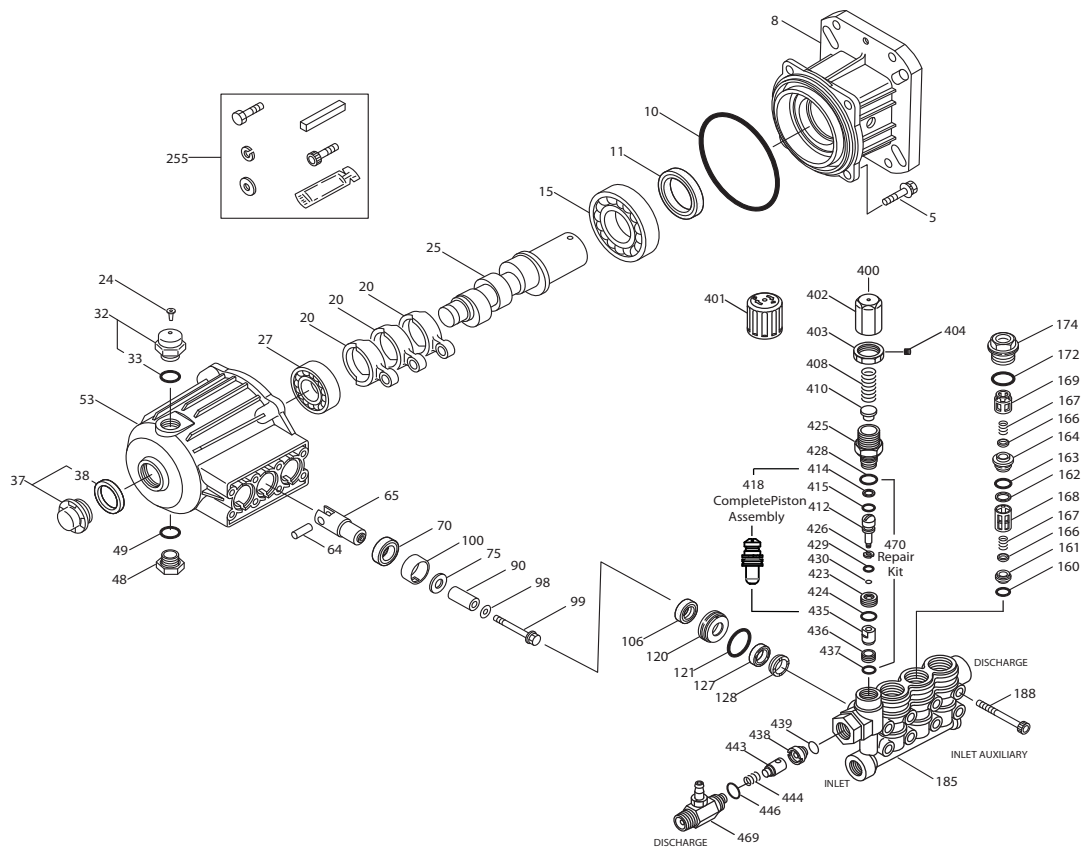


Figure 25 – Ilustración de las piezas de repuesto PW350251SJ model PW4070

Lista de Repuestos para PM350251SJ

No. de Ref.	Descripción	No. de parte	Ctd.	No. de Ref.	Descripción	No. de parte	Ctd.
5	Tornillo HH (M6-14)	--	--	37	Visor de aceite	PM900200AV	1
8	Cubierta del cojinete	--	--	38	Junta de la mirilla (80D)	--	--
10	Junta tórica de la cubierta del cojinete (70D)	--	--	48	Tapón del orificio de drenaje	PM900300AV	1
11	Sellos del orificio de lubricación (70D)	--	--	49	Junta tórica del tapón de vaciado (70D)	PM900400AV	1
15	Cojinete interior de bolas	--	--	53	Manualidades	--	--
20	Barra conectora	--	--	64	Pasador de la cruceta	--	--
24	Tapón del aceite	PM900000AV	1	65	Vástago impulsor	--	--
25	Cigüeñal	--	--	69	Arandela del sello de aceite	--	--
27	Cojinete de bolas	--	--	70	Sello de aceite	--	--
32	Tapón del llenado de aceite	PM900100AV	1	75	Anillo deflector de barrera	--	--
33	Junta tórica del tapón de llenado del aceite (70D)	--	--	90	Émbolo (M14-25.5)	--	--
				98 ▲	Arandela de sello (90D)	--	--

Lista de Repuestos

No. de Ref.	Descripción	No. de parte	Ctd.	No. de Ref.	Descripción	No. de parte	Ctd.
99	Perno sujetador del émbolo (M6-35)	--	--	418	Ensamble completo del pistón	--	--
100	Retenedor de sello	--	--	423 ◆	Retenedor de válvula	--	--
106 ▲	LPS Sello	--	--	424 ●◆	Junta tórica del retenedor de válvula (exterior)	--	--
120	Caja de sello (80D)	--	--	425 ◆	Attache de piston	--	--
121 ▲	Junta tórica de la caja de sello	--	--	426 ◆	Arandela	--	--
122	Anillo de soporte	--	--	428 ●◆	Junta tórica del retenedor del pistón	--	--
125	HPS Sello	--	--	429 ●◆	Junta tórica del retenedor de válvula (Interior)	--	--
127 ▲	V-Embalaje	--	--	430 ●◆	Anillo de respaldo del retenedor de válvula	--	--
128 ▲	Adaptador macho	--	--	435 ◆	Ensamble de la válvula de bola	--	--
160 ■	Junta tórica del asiento de entrada	--	--	436 ◆	Asiento	--	--
161 ■	Asiento de entrada	--	--	437 ●◆	Junta tórica del asiento	PM901700AV	--
162 ■	Anillo de respaldo del asiento de descarge	--	--	438	Asiento de la válvula de retención	PM901800AV	--
163 ■	Junta tórica del asiento de descarga	--	--	439 ●	Junta tórica del asiento de la válvula de retención	--	--
164 ■	Asiento de descarga	--	--	443	Válvula de retención con junta tórica	PM901900AV	--
166 ■	Válvula	--	--	444	Resorte de la válvula de retención	PM902000AV	--
167 ■	Resorte	--	--	446 ●	Junta tórica del cuerpo	PM902100AV	--
168 ■	Retendor del resorte de entrada	--	--	460	Acoplamiento de descarga (3/8 po NPTF-18)	--	--
169 ■	Retenedor del resorte de descarga	--	--	469	Inyector químico fijo	--	--
172 ■	Junta tórica del tapón de válvula	--	--	ACCESORIOS ADICIONALES NO INCLUIDOS			
174	Tapón de la válvula	--	--	JUEGOS DE REPUESTOS			
185	Cabeza del múltiple	--	--	▲	Juego de sello	PM900800AV	1
188	HSH Tornillo (M6-60)	--	--	■	Juego de válvulas	PM901000AV	1
197	Juego de manguera de jardín	--	--	●	Juego de anillos en o	PM901400AV	1
249	Adaptador de montaje assy	--	--	◆	Juego de pistón repuesto	PM901200AV	1
255	Mounting Bolt Assy	--	--	▼	Juego de válvula de chequeo	PM901600AV	1
401	Manija del ajustador	--	--	--	No disponible		
402	Tapón del ajustador	--	--	★	Pieza de ferretería estándar, disponible en sus ferreterías locales		
403	Tuerca de seguridad (M18-1)	--	--	†	Permita 6 u 8 semanas para ordenar		
404	Tornillo fijador (M4-1)	--	--	*	Se consideran artículos con desgaste normal		
408	Resorte de presión	--	--				
410	Retén de resorte	--	--				
412 ◆	Vastago del pistón (M5)	--	--				
414 ●◆	Anillo de respaldo del vastago del pistón	--	--				
415 ●◆	Junta tórica del vastago del pistón	--	--				

¡REGISTRE SU PRODUCTO EN LÍNEA AHORA MISMO!
<http://reg.ch-commercial.com>

Garantía Limitada

1. Duracion: De la fecha de compra por el comprador original y de acuerdo a las siguientes clasificaciones: Tres (3) años la unidad lavadora a presión, 2 (dos) años la bomba y el motor, y 90 días para los artículos con desgaste normal.
2. QUIEN otorga DA ÉSTA GARANTÍA (EL GARANTE): Campbell Hausfeld / Scott Fetzer Company, 100 Production Drive, Harrison, OH 45030, Teléfono: (800) 330-0712.
3. QUIEN RECIBE ÉSTA GARANTÍA (EL COMPRADOR): El comprador original (que no sea revendedor) de la Lavadora de Presión Campbell Hausfeld.
4. PRODUCTOS CUBIERTOS POR ESTA GARANTÍA: Esta lavadora de presión Campbell Hausfeld.
5. LO QUÉ ÉSTA CUBIERTO POR ESTA GARANTÍA: Los defectos de material y/o de manufactura que ocurran dentro del periodo de garantía con las excepciones anotadas abajo.
6. LO QUÉ NO ÉSTA CUBIERTO POR ESTA GARANTÍA:
 - A. Las garantías implícitas, incluyendo las garantías de comercialización y adecuación para un fin particular, son limitadas a partir de la fecha de compra como se indica en el parrafo DURACIÓN. Si ésta lavadora de presión es usada para trabajos comerciales, industriales o para renta, la garantía aplicada es de (90) días a partir de la fecha de compra. En algunos estados no se permiten limitaciones a la duración de las garantías, en tal caso esta limitacion no es aplicable.
 - B. CUALQUIER PERDIDA, DANO INCIDENTAL INDIRECTO O CONSECUENTE QUE PUEDE RESULTAR DE UN DEFECTO, FALLA, O MALFUNCIONAMIENTO DE LA LAVADORA DE PRESIÓN CAMPBELL HAUSFELD. En algunos estados no se permiten la exclusión o limitación de daños incidentales o consecuentes y en tal caso esta limitacion o exclusión no es aplicable.
 - C. Cualquier falla que resulte por daños en la transportación, accidente, abuso, negligencia o incumplimiento de las instrucciones de funcionamiento e instalacion indicadas en el manual suministrado con el producto.
 - D. El servicio al producto antes de la venta. Ejemplo ensamblaje, aceites o lubricantes, ajustes, etc.
 - E. Partes o ajustes requeridos normalmente en el mantenimiento de la lavadora de presión.
 - F. Partes adicionales no cubiertos en ésta garantía:
 1. Desgaste normal en partes tales como mangueras de alta presión, sellos de agua o aceite, anillos, válvulas y boquillas de spray.
 2. Defectos externos que no interfieren con su funcionamiento.
 3. Componentes oxidados.
 4. Desgaste de la bomba o daño de la válvula causado por uso de aceite inapropiado, contaminación del aceite o por no seguir adecuadamente las recomendaciones de mantenimiento.
 - G. El motor de gasolina y sus componentes están expresamente excluidos de ésta garantía limitada. Estos componentes deben de ser devueltos por el comprador al fabricante original o a su taller de reparación autorizado.
7. RESPONSABILIDADES DEL GARANTE BAJO ÉSTA GARANTÍA: Repare o reemplazar, como lo decida el garante, ya sea la lavadora de presión o alguna de sus partes que se encuentre defectuoso, no funcione adecuadamente y/o no cumpla de conformidad dentro del periodo de duración de la garantía.
8. RESPONSABILIDADES DEL COMPRADOR BAJO ESTA GARANTÍA:
 - A. Proporcionar prueba de la fecha de compra y registros de mantenimiento.
 - B. Entregar o enviar la lavadora de presión o su componente al centro de servicio autorizado Campbell Hausfeld más cercano. Los costos de embarque, si son aplicables, serán pagados por el comprador.
 - C. Ser cuidadoso con el funcionamiento y mantenimiento de la lavadora de presión de acuerdo al manual(s) del propietario.
9. CUANDO EFECTUARA EL GARANTE LA REPARACION O REEMPLAZO CUBIERTO POR ESTA GARANTÍA: La reparación o reemplazo del equipo tomara el tiempo normal y de acuerdo a la carga de trabajo en ese momento el el centro de servicio y de acuerdo a la disponibilidad de refacciones.

Esta garantía limitada es válida sólo en los EE.UU., Canadá y México y otorga derechos legales específicos. También usted podría tener otros derechos los cuales varían de estado a estado o de país a país.

RECORDATORIO: ¡Guarde su comprobante de compra con fecha para fines de la garantía!
Adjúntela a este manual o archívela en lugar seguro.
