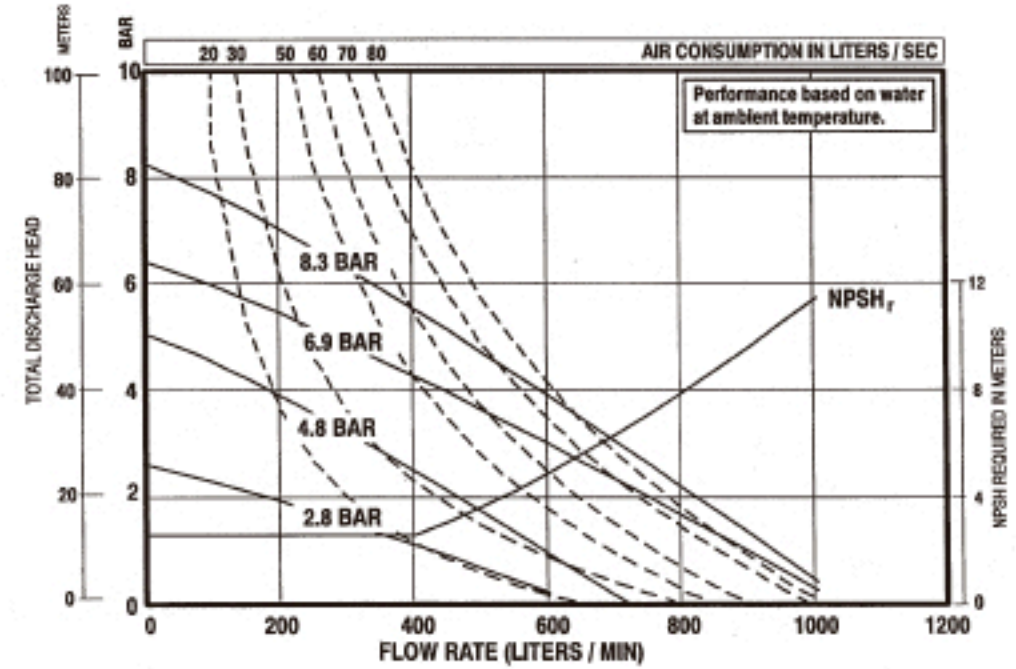
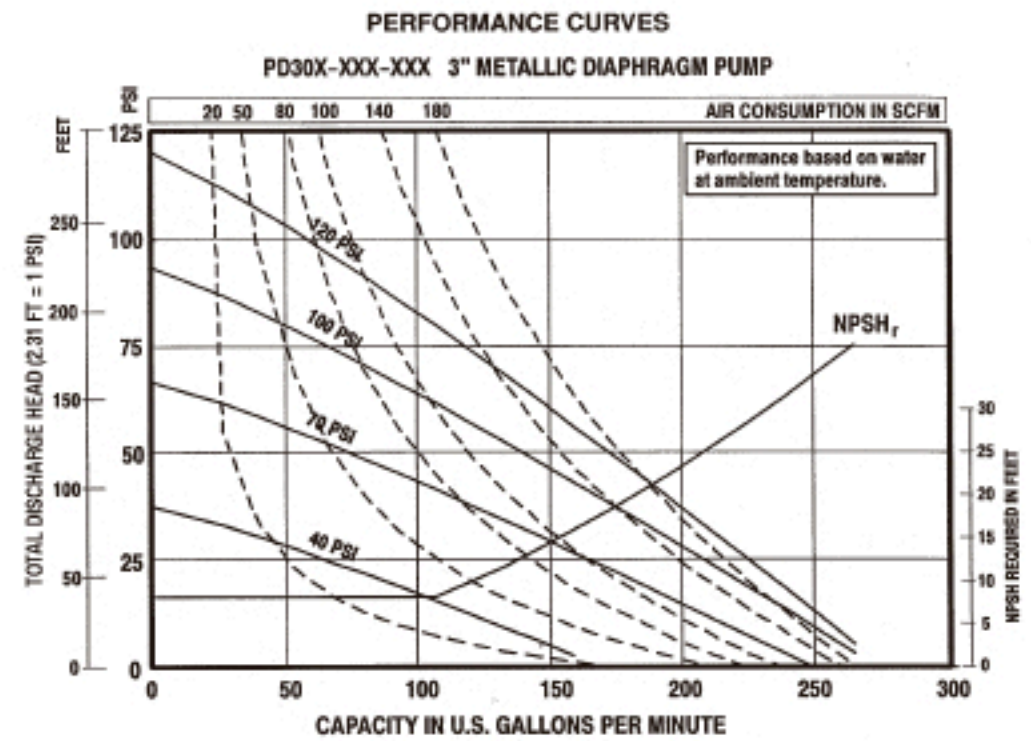
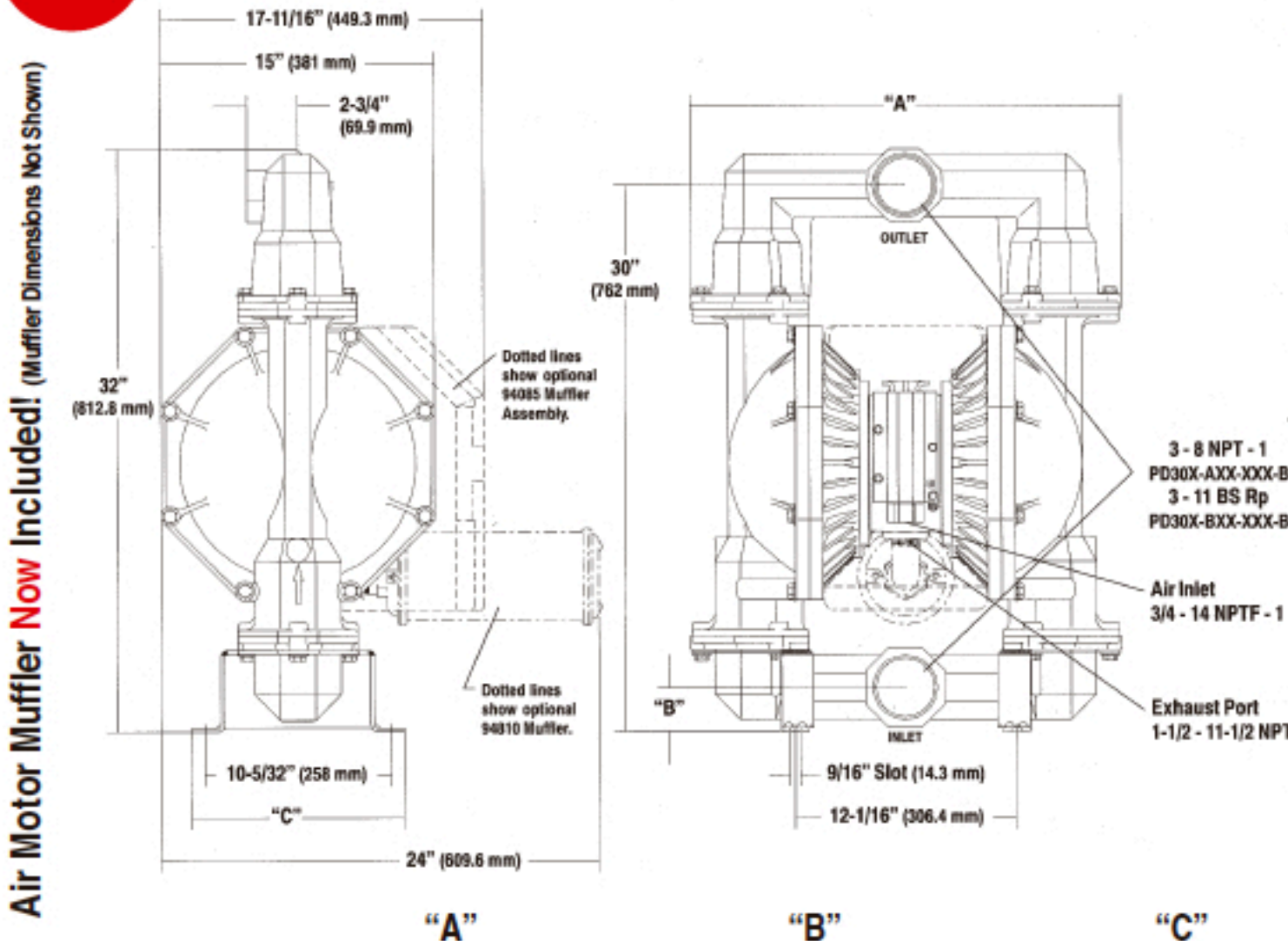


Performance Specifications

RATIO:	1:1
MAX. G.P.M. (Liters):	275 (1,041)
DISPLACEMENT GALLONS (Liters) PER CYCLE:	2.8 (10.6)
AIR INLET:	3/4-in. NPT (F)
AIR EXHAUST:	1-1/2" NPT (F)
FLUID INLET:	3" NPT (F), BSP (F)
FLUID OUTLET:	3" NPT (F), BSP (F)
MAX. OP. PRESSURE PSI (bar):	120 (8.3)
PASS SOLIDS MAX. DIA. IN. (mm):	3/8 (9.5)
WEIGHT LBS. (Kgs.):	113 (51.3) Aluminum, 197 (89.4) Cast Iron 203 (92.1) Hastelloy, 203 (92.1) Stainless Steel (Note: add 40 lbs. (18 kg) for Stainless Air Motor)
MAX. DRY SUCTION LIFT:	19 ft. (Rubber fitted)



Dimensional Data

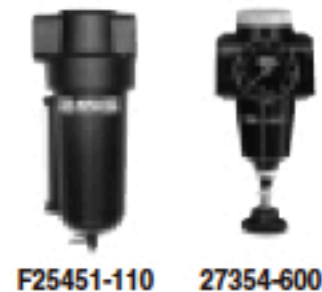


	"A"	"B"	"C"
PD30X-XAX	23-5/8" (600.1mm)	2-3/8" (60.3mm)	11" (279.4mm)
PD30X-XCX	23-5/8" (600.1mm)	2-7/16" (61.9mm)	11-11/16" (296.9mm)
PD30X-XHX	23-1/8" (587.4mm)	2-3/4" (69.9mm)	11-11/16" (296.9mm)
PD30X-XSX	23-1/8" (587.4mm)	2-3/4" (69.9mm)	11-11/16" (296.9mm)

Accessories

Recommended Filter-Regulator (See Page 36)

Filter: F25451-110
Regulator: 27354-600



For complete airline connection kit, see page 32, item "B".
Pulsation Dampener, see page 26.

For Diaphragm Pump Accessories see pages 32-34.

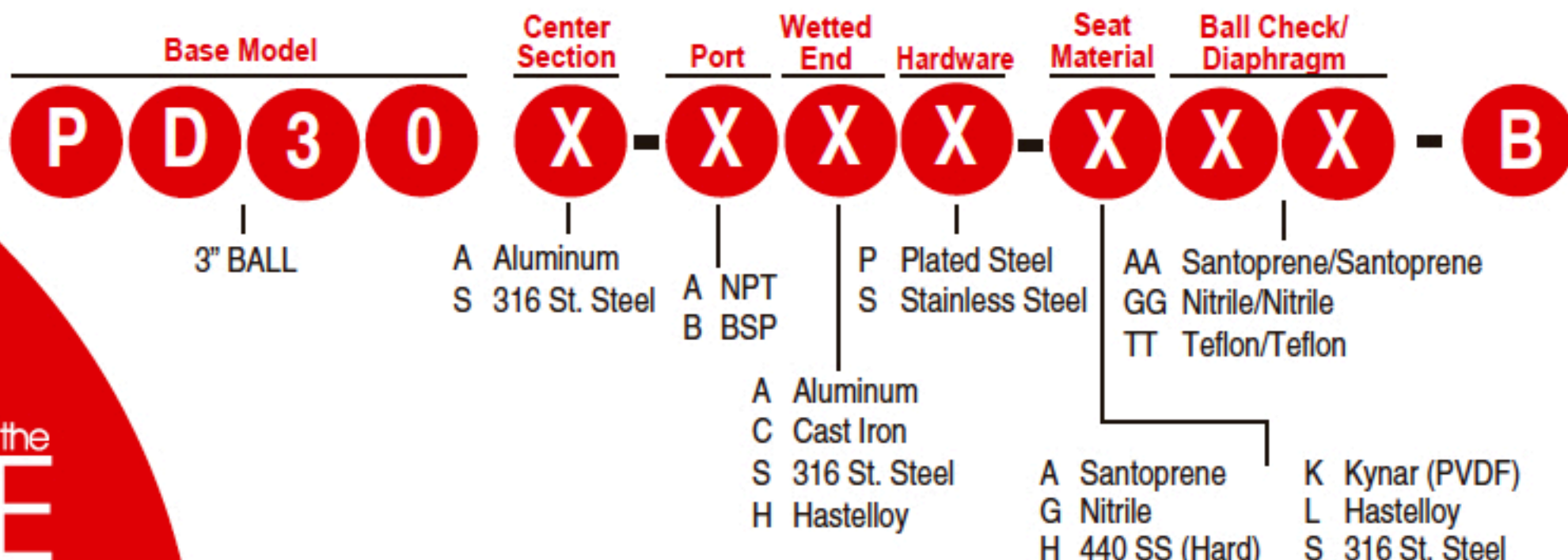
For recommended key models, refer to the ARO diaphragm pump price book (Form 2240-2). If the specific model you seek is not in the price book, consult the factory for further selection assistance.



Screened Inlet Kits Available. See Page 31.

Ordering

Best Selling Models | PD30A-AAP-GGG-B, PD30A-ASS-AAA-B, PD30A-AAP-KTT-B, PD30A-ASP-KTT-B, PD30A-ACS-AAA-B, PD30S-ASS-STT-B



Uninstallable, ice-free, high-flow delivery

