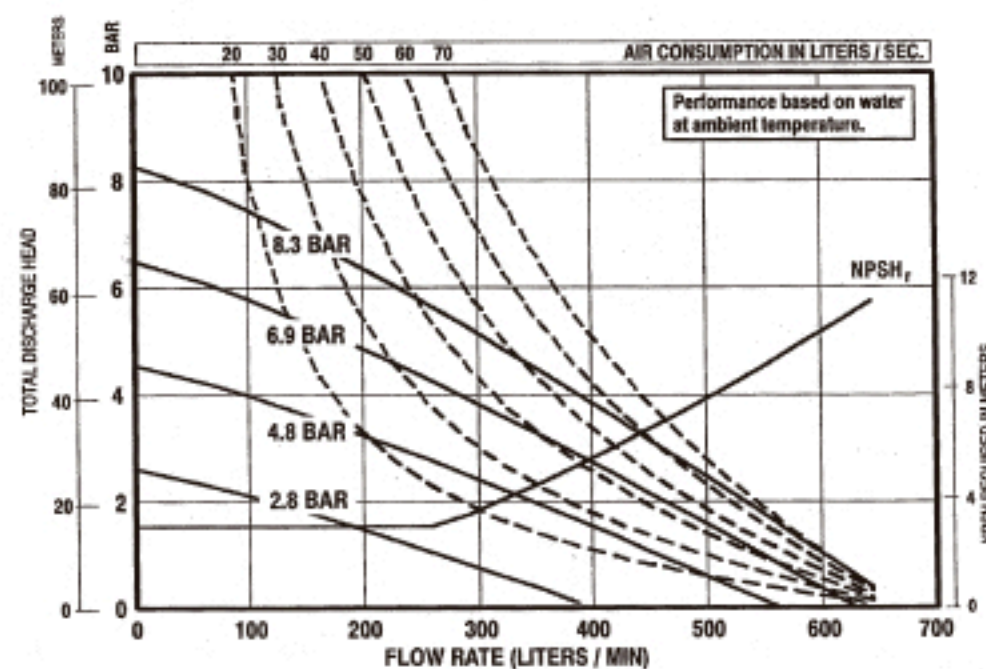
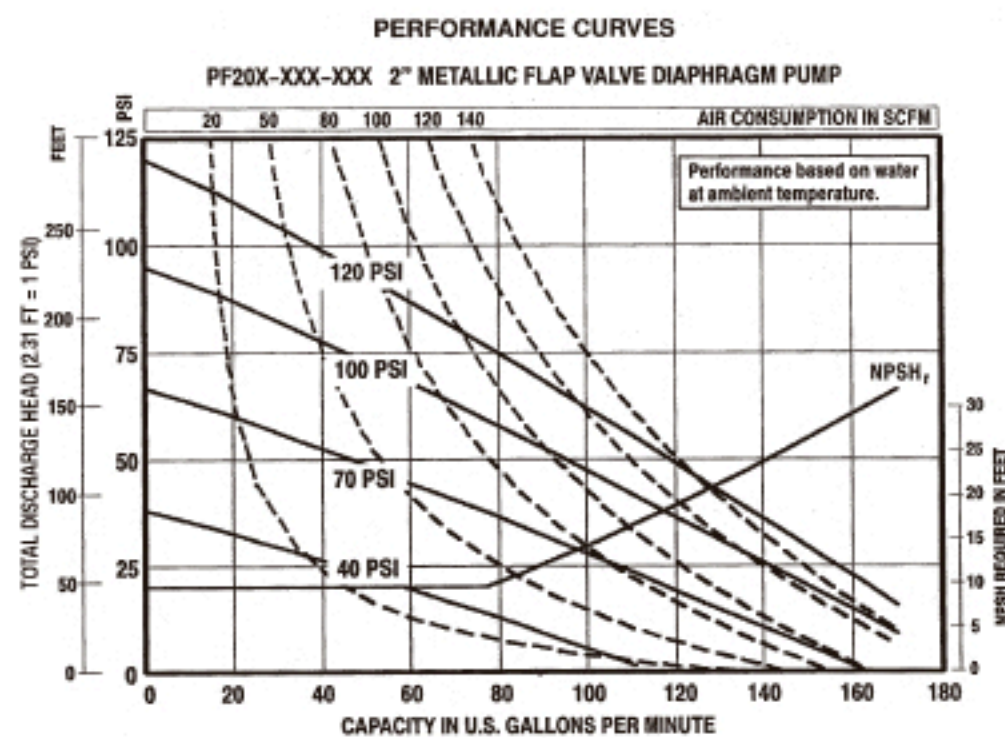


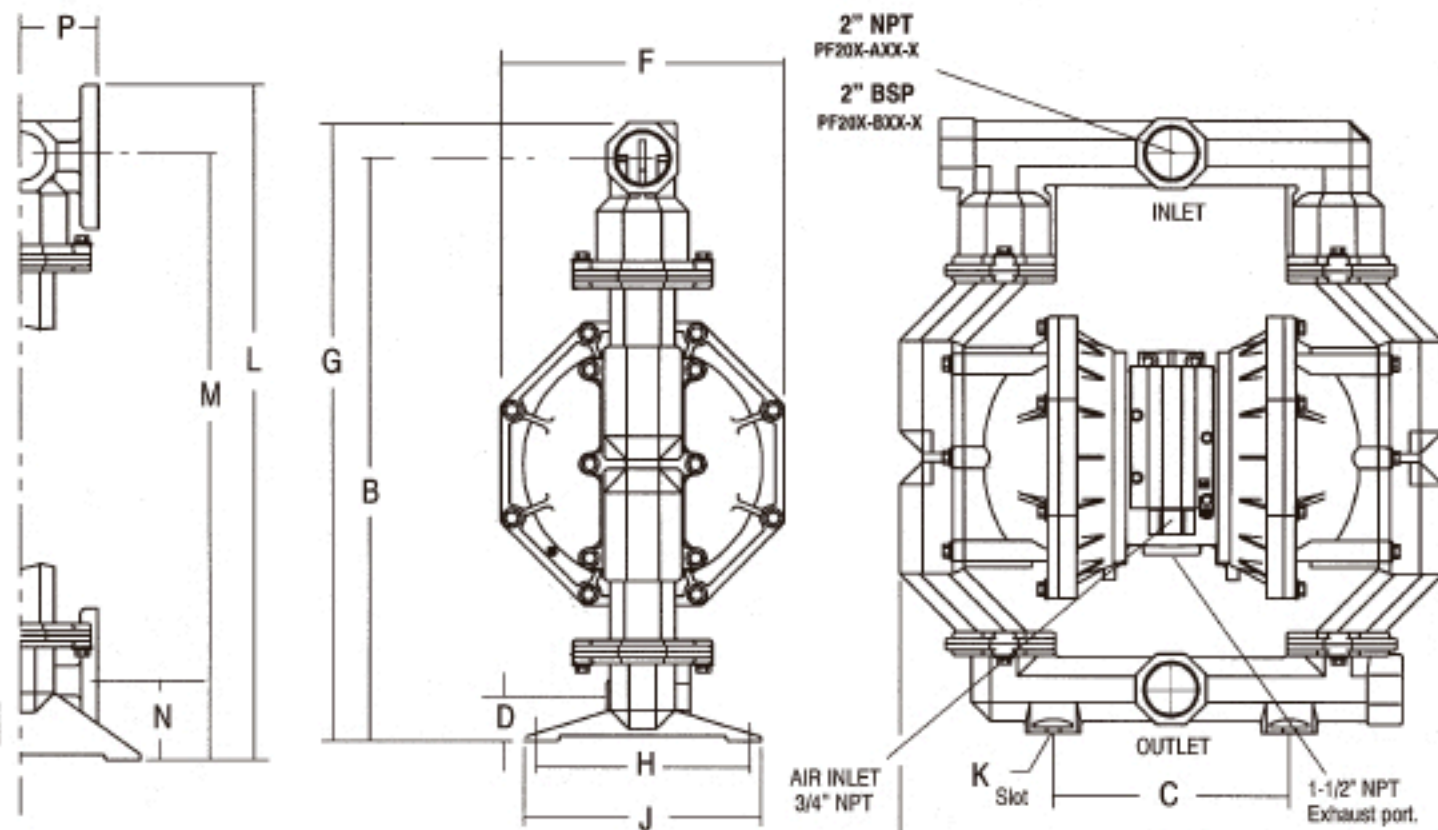
# Performance Specifications

<b>RATIO:</b>	1:1
<b>MAX. G.P.M. (Liters):</b>	170 (644)
<b>DISPLACEMENT GALLONS (Liters) PER CYCLE:</b>	1.4 (5.3)
<b>AIR INLET:</b>	3/4-in. NPT (F)
<b>AIR EXHAUST:</b>	1-1/2" NPT (F)
<b>FLUID INLET:</b>	2" Ports (See table)
<b>FLUID OUTLET:</b>	2" Ports (See table)
<b>MAX. OP. PRESSURE PSI (bar):</b>	120 (8.3)
<b>PASS SOLIDS MAX. DIA. IN. (mm):</b>	2" (50mm) Semi Solids
<b>WEIGHT LBS. (Kgs.):</b>	74 (34) Aluminum, 161 (73) Cast Iron 188 (85) Stainless Steel (Note: add 34 lbs.(15 kg) for Stainless or Cast Iron Air Motor)
<b>MAX. DRY SUCTION LIFT:</b>	19 ft. (Rubber fitted)



# Dimensional Data

Air Motor Muffler Now Included! (Muffler Dimensions Not Shown)



DIMENSIONS			
A	23-1/4" (591 mm)	F	12" (305 mm)
B	24-3/4" (629 mm)	G	26-1/4" (667 mm)
C	10-1/16" (256 mm)	H	9-1/16" (230 mm)
D	1-7/8" (48 mm)	J	10-1/16" (256 mm)
		K	9/16" (14 mm)
		L	28-5/8" (727 mm)
		M	25-5/8" (651 mm)
		N	3-3/8" (86 mm)
		P	2-1/4" (82.5 mm)

# Accessories

**Recommended Filter-Regulator**  
(See Page 36)

Filter / Regulator: P29241-610

For complete airline connection kit, see page 32, item "B".  
Pulsation Dampener, see page 25.



P29241-610

For Diaphragm Pump  
Accessories see pages 32-34.

For recommended key models, refer to the ARO diaphragm pump price book (Form 2240-2). If the specific model you seek is not in the price book, consult the factory for further selection assistance.

# Ordering

Best Selling Models | PF20A-AAP-SAA, PF20A-ASS-SAA, PF20A-AAP-SUA, PF20C-ASS-SAA, PF20A-ACP-SAA, PF20C-ASS-SVT

Base Model	Center Section	Port	Wetted End	Hardware	Seat Material	Flap/Diaphragm
<b>P F 2 0</b>	<b>X</b>	<b>X</b>	<b>X</b>	<b>X</b>	<b>X</b>	<b>X</b>
2" Pump	A Aluminum C Cast Iron S 316 St. Steel	A NPT B BSP	P Plated Steel S Stainless Steel	A Aluminum C Cast Iron S 316 St. Steel	S 316 St. Steel	AA Santoprene/Santoprene GG Nitrile/Nitrile UA Polyurethane/Santoprene VT Viton/Teflon

NOTE: Side Port option not available on Stainless Steel Models.

The ideal  
sludge  
pump!

