



## Laden Container Handler Gantry Truck Capacity 36000 – 40000 kg C 360 – C 400

SERIES 356

### Safety

Interlocks in the spreader twistlocks prevent un-intentioned container release; sensors in the lift system prevent damage to containers and spreader by cutting-out lowering functions when the toplift is seated. Drive system inhibitors prevent incorrect downshift and reverse direction operation.

### Performance

The combination of a high power, low speed – high torque engine, matched with an electrically controlled 4-speed transmission, together with a multi-pump hydraulic system, manage the efficient use of energy, with maximised speed of operation while reducing the wear on hydraulic components.

### Comfort

The cabin, equipped to provide the operator with a low stress and spacious working environment, is provided with comfortable and intuitive ergonomics which are vital in creating the optimised working conditions necessary for sustained high performance operation.

### Reliability

The high performance of the Linde Laden Container Handler is matched by the robustness of its construction. The high quality, heavy duty drive line components are designed to ensure maximum performance and durability. Heavy-duty main structural elements provide stress relief over the load bearing areas, thus ensuring lifelong product integrity.

### Productivity

The elevated central positioning of the operators cabin optimises the visibility to the load handler for loading and unloading operations, through the mast when travelling, and also around the machine when working in confined operating areas; Combining the operator comfort and component performance with intuitive ergonomics further enhances the ease of operation.

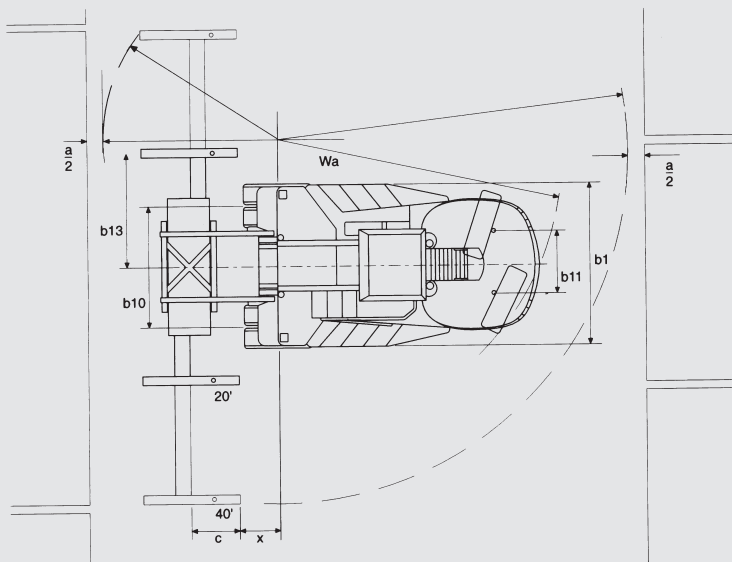
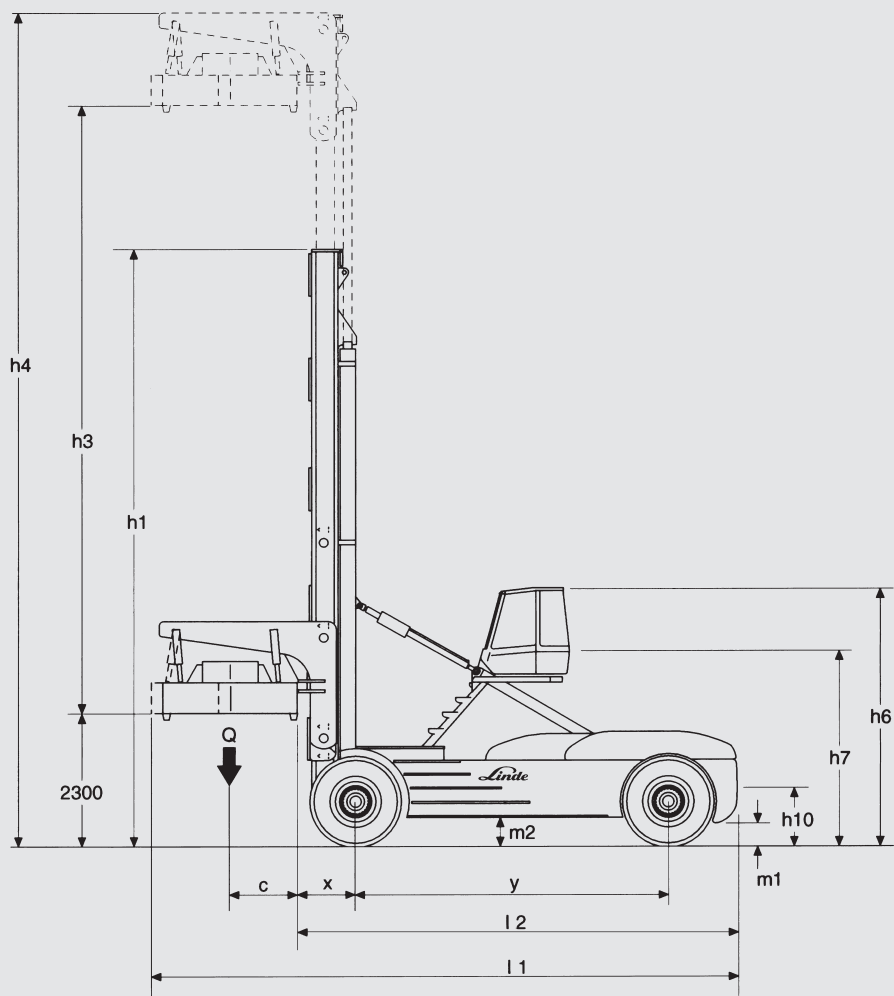
Linde Material Handling

*Linde*

# Technical data

Characteristics	1.1	Manufacturer		LINDE	LINDE	LINDE
	1.2	Model designation		<b>C360/3</b>	<b>C360/4</b>	<b>C360/5</b>
	1.3	Power unit: battery, diesel, LP gas, mains power		Diesel	Diesel	Diesel
	1.4	Operation: manual, pedestrian, stand-on, seated, order picker		Rider seated	Rider seated	Rider seated
	1.5	Load capacity	Q (kg)	36000	36000	36000
	1.6	Load centre	C (mm)	1220/1460	1220/1460	1220/1460
	1.8	Axle centre to fork face	x (mm)	1030	1030	1030
	1.9	Wheelbase	y (mm)	5500	5500	5500
Weight	2.1	Service weight	kg	65660	67970	70280
	2.2	Axle load with load, front/rear	kg	90240/11420	92750/11220	95350/11030
	2.3	Axle load without load, front/rear	kg	39420/26240	41920/26050	44420/25860
Wheels and tyres	3.1	Tyres, front/rear (SE = superelastic, P = pneumatic)		P/P	P/P	P/P
	3.2	Tyre size, front		18,00 x 25/40 pr	18,00 x 25/40 pr	18,00 x 25/40 pr
	3.3	Tyre size, rear		18,00 x 25/40 pr	18,00 x 25/40 pr	18,00 x 25/40 pr
	3.5	Wheels, number, front/rear (x=driven)		4x/2	4x/2	4x/2
	3.6	Track width, front	b10 (mm)	3030	3030	3030
	3.7	Track width, rear	b11 (mm)	2786	2786	2786
	Dimensions	4.1	Mast/fork carriage/truck tilt, forward/backward	$\alpha/\beta$ (°)	2/5	2/5
4.2		Height of mast, lowered	h1 (mm)	7665	9165	10665
4.4		Lift	h3 (mm)	7000	10000	13000
4.5		Height of mast, extended	h4 (mm)	11000	14000	17000
4.7		Height of overhead guard (cabin)	h6 (mm)	4690	4690	4690
4.8		Height, operator's seat/stand-on platform	h7 (mm)	3500	3500	3500
4.12		Towing coupling height	h10 (mm)	600	600	600
4.15		Twistlock height lowered	h13 (mm)	2300	2300	2300
4.19		Overall length	l1 (mm)	10168	10168	10168
4.20		Length to fork face	l2 (mm)	7730	7730	7730
4.21		Overall width	b1/b2 (mm)	4180/3400	4180/3400	4180/3400
4.24		Width of attachment 20' / 40'	b3 (mm)	6050/12150	6050/12150	6050/12150
4.28		Reach travel	l4 (mm)	240	240	240
4.31		Ground clearance, mast	m1 (mm)	445	445	445
4.32		Ground clearance, centre of wheelbase	m2 (mm)	500	500	500
4.33		Aisle width with 20' container	Ast (mm)	11500	11500	11500
4.34		Aisle width with 40' container	Ast (mm)	14500	14500	14500
4.35		Turning radius	Wa (mm)	7600	7600	7600
4.36		Minimum pivoting point distance	b13 (mm)	2925	2925	2925
Performance		5.1	Travel speed, with/without load	km/h	23.3/24.9	23.3/24.9
	5.2	Lift speed, with/without load	m/s	0.30/0.40	0.30/0.40	0.30/0.40
	5.3	Lowering speed, with/without load	m/s	0.50/0.50	0.50/0.50	0.50/0.50
	5.5	Tractive force, with/without load	kN	234/-	234/-	234/-
	5.6	Maximum tractive force, with/without load	kN	290/-	290/-	290/-
	5.7	Climbing ability, with/without load	1 kph	%	30.9	30.9
	5.9	Acceleration time, with/without load		s	-	-
	5.10	Service brake			Wet disc	Wet disc
	6.4	Battery voltage, rated capacity	V/Ah	2x 12/128	2x 12/128	2x 12/128
	Drive	7.1	Engine manufacturer/type		Cummins QSM 11	Cummins QSM 11
7.2		Engine performance according to ISO 1585	kW	246	246	246
7.3		Rated speed	1/min	2100	2100	2100
		Maximum engine torque/speed	Nm/rpm	1674/1100	1674/1100	1674/1100
7.4		Number of cylinders/displacement	/cm	6/10820	6/10820	6/10820
7.5		Fuel consumption according to VDI cycle	l/h	-	-	-
Others	8.1	Type of drive control		Torque converter 4/4	Torque converter 4/4	Torque converter 4/4
	8.2	Working pressure for attachments	bar	240	240	240
	8.3	Oil flow for attachments	l/min	-	-	-
	8.4	Noise level, at operator's ear, overhead guard/cab	dB (A)	74	74	74
	8.5	Trailer coupling, design/type DIN	l (mm)	50	50	50

LINDE	LINDE
<b>C 400 / 3</b>	<b>C 400 / 4</b>
Diesel	Diesel
Rider seated	Rider seated
40000	40000
1220/1460	1220/1460
1030	1030
5500	5500
67660	69970
95835/11825	98385/11585
39410/28250	41920/28050
P/P	P/P
18,00 x 25/40 pr	18,00 x 25/40 pr
18,00 x 25/40 pr	18,00 x 25/40 pr
4x/2	4x/2
3030	3030
2786	2786
2/5	2/5
7665	9165
7000	10000
11000	14000
4690	4690
3500	3500
600	600
2300	2300
10168	10168
7730	7730
4180/3400	4180/3400
6050/12150	6050/12150
240	240
445	445
500	500
11500	11500
14500	14500
7600	7600
2925	2925
23.3/24.9	23.3/24.9
0.30/0.40	0.30/0.40
0.50/0.50	0.50/0.50
234/-	234/-
290/-	290/-
30.9	30.9
-	-
Wet disc	Wet disc
2x 12/128	2x 12/128
Cummins QSM 11	Cummins QSM 11
246	246
2100	2100
1674/1100	1674/1100
6/10820	6/10820
-	-
Torque converter 4/4	Torque converter 4/4
240	240
-	-
74	74
50	50





C360 / 3					
8' Container		8'6" Container		9'6" Container	
Q	Height (mm)	Q	Height (mm)	Q	Height (mm)
36 t	7314	36 t	7773	36 t	8688
36 t	4876	36 t	5182	36 t	5792
36 t	2438	36 t	2591	36 t	2896
to c = 1220 / 1460 mm					

C360 / 4					
8' Container		8'6" Container		9'6" Container	
Q	Height (mm)	Q	Height (mm)	Q	Height (mm)
36 t	9752	36 t	10364	36 t	11584
36 t	7314	36 t	7773	36 t	8688
36 t	4876	36 t	5182	36 t	5792
36 t	2438	36 t	2591	36 t	2896
to c = 1220 / 1460 mm					

C360 / 5					
8' Container		8'6" Container		9'6" Container	
Q	Height (mm)	Q	Height (mm)	Q	Height (mm)
36 t	14628				
36 t	12190	36 t	12955	36 t	14480
36 t	9752	36 t	10364	36 t	11584
36 t	7314	36 t	7773	36 t	8688
36 t	4876	36 t	5182	36 t	5792
36 t	2438	36 t	2591	36 t	2896
to c = 1220 / 1460 mm					

C400 / 3					
8' Container		8'6" Container		9'6" Container	
Q	Height (mm)	Q	Height (mm)	Q	Height (mm)
40 t	7314	40 t	7773	40 t	8688
40 t	4876	40 t	5182	40 t	5792
40 t	2438	40 t	2591	40 t	2896
to c = 1220 / 1460 mm					

C400 / 4					
8' Container		8'6" Container		9'6" Container	
Q	Height (mm)	Q	Height (mm)	Q	Height (mm)
40 t	9752	40 t	10364	40 t	11584
40 t	7314	40 t	7773	40 t	8688
40 t	4876	40 t	5182	40 t	5792
40 t	2438	40 t	2591	40 t	2896
to c = 1220 / 1460 mm					

# Standard and optional equipment

## Standard equipment

High mounted, centrally positioned cabin with access staircase on left side

Fully equipped driver's cabin with hinged doors; wipers and washers for windscreen, rear screen and overhead screen, heater and demister

Abundant storage space for writing materials, beverage cans, etc.

Hydraulic-suspension comfort-class seat with wide range of adjustment

Hydraulic pilot line multi-function lever enabling precise load positioning with automatic anti-stall function

Adjustable-angle steering wheel

Effortless hydrostatic power steering; lock-to-lock at standstill

Engine intake air cleaner with integrated safety element

High performance hydraulic filters preserving maximum purity of oil for long life of all hydraulic components

On-demand working hydraulics, oil supply by multi-pump installation

Comprehensive display units; monitor all key components

Central master warning light

Modern diesel engine with electronically controlled single-rail fuel injection system meeting European and international emission regulations

Heavy-duty automatic 4-speed electric powershift transmission with integrated safety protection; downshift, forward/reverse interlock

Robust double hub reduction drive axle, incorporating oil bath type multi-disk brakes with zero maintenance requirements

Tilt system anti-sway hydraulic lock valve - preventing unintentioned load tilt

Reverse section, container handling mast

Pneumatic tyres

Telescopic toplift spreader 20'–40' extension

Outreach 240 mm

Sideshift 200 mm +/-

Road lighting with reverse lights and audible warning

Cab mounted working lights 2 pairs

Reverse driving mirrors - chassis mounted

Interior rearview mirror

Battery isolator connectors

## Options

3, 4 or 5 high container stacking mast 36000 kg

3 or 4 high container stacking mast 40000 kg

Climate control

Cabin pre-heat system – fuel burning or electrical

Central greasing system – chassis, chassis & gantry, chassis gantry & spreader

High level air intake – cabin (heater system only)

Heated operators seat

Additional seat

Tinted glass

Sliding window – right side

Air suspension seat with compressor

Joystick steering or mini-wheel steering systems

Electrical socket in cab – 12volt

Hydraulic accumulator

Load weight device

Heated reverse driving mirrors

Panoramic interior mirror

Radio with compact disc unit and speakers

Spreader mounted working lights 2 or 4

Mast mounted lights 2 or 4

Cab mounted mirror – right side; standard or heated

Rotating beacon or flashing beacon

Manual extension stops 20/24/40 or 20/24/30/40 or 20/30/40

Sun blind – front and top

Fire extinguisher (2kg)

Engine coolant heater

Hydraulic tank heater

Brake tank heater

Counterweight mounted camera with monitor

Handrails – on steps left & right

Low step left & right

Custom paintwork

# Features

## Power and drive system

- Powerful engine - high torque at low speed
- 4 speed electrically controlled transmission
- Wide-track drive axle with wet disk brake system
- Drive line protection with built-in operational inhibitors, downshifting, reverse direction change and gear change ratio



## Stable, robust chassis

- Heavy duty main chassis for optimised stress handling
- Unique mast construction for container load handling
- Heavy gauge side panels providing impact protection

## Load sensing hydraulics

- Highly efficient spur gear multi-pump installation
- Switch-phased pumps supply metered oil for function selected
- Extended oil change frequency by reducing operational wear

## Linde load management

- Head-up twistlock condition display
- duplicated twistlock display on rear of mast channel
- toplift mounted 'flags' for visible recognition of twistlock position

## Modern powerfull engine

- Diesel motor Stage II emissions
- Turbocharger and Intercooler
- 6 cylinder - 11 litre
- 246 kW (330 bhp) @ 2100 rpm
- Maximum torque 1674 @ 1100 rpm



## Operators compartment

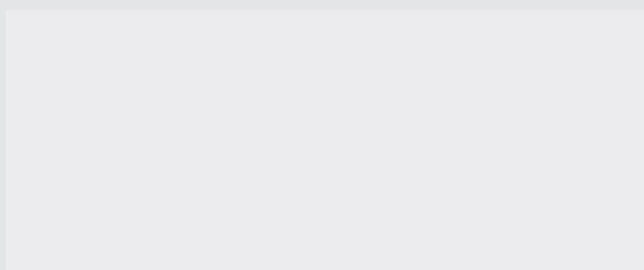
- Fully adjustable high quality seat
- Forced air heating and ventilation system
- Adjustable steering column
- Adjustable armrest and hydraulic control console
- Optimised position of operator control instrumentation

## Comprehensive display

- Engine - water temperature, oil pressure
- Transmission - oil pressure and temperature
- Hydraulic & Brake - oil temperature
- Fuel - level
- Electrical - battery state
- Air - cleaner restriction warning

## Telescopic spreader

- 20' - 40' extension
- Outreach 240 mm
- sideshift 200 mm +/-
- internal extension cylinders
- slope pile +/- 3 degrees
- twistlock safety interlock
- non-hydraulic cylinder suspended toplift



Linde AG

Linde Material Handling Division, Postfach 10 01 36, 63701 Aschaffenburg, Germany  
Phone +49.60 21.99-0, Fax +49.60 21.99-15 70, www.linde-forklifts.com, info@linde-forklifts.com



Linde Material Handling

Subject to modification in the interests of engineering progress. Illustrations and technical details non-binding for actual construction. All measurements subject to customary tolerances.

Printed in Germany - 114 - e - 3 - 1205 - ind. B - Co