



**Stand-on Stacker &  
Double Stacker Range**  
Capacity 1200 – 1400 kg  
L12, L14 – AP/SP  
L12L, L14L – AP/SP  
L12L HP – AP/SP

SERIES 133

### Safety

Both the AP and SP platform versions are perfectly designed to protect the operator during the working shift. Automatic speed reduction when cornering, automatic braking on releasing the traction control and excellent visibility through the wide mast, all provide assured safety. Electro-hydraulic braking is actuated by the dead man platform or by the emergency stop button and is proportional to the load carried.

### Performance

A key strength of the range is productivity. Linde OptiLift® control for a genuine proportional lifting/lowering, load capacities up to 1,400 kg and a powerful 3 kW AC motor with a top speed of 10 km/h laden or unladen, all add up to high performance for a wide range of customer applications.

### Comfort

Electric power steering with adjustable steering torque provides effortless manoeuvrability and efficiency. Positive steering feedback results in safe, assured control. Travel speed and steering effort are automatically and progressively adjusted according to the steering angle. Tasks are made easier thanks to generous storage compartments for working tools. The comfortable driving posture of the SP platform ensures a pleasurable working environment.

### Reliability

In order to meet the needs of its customers, Linde has developed three different stacker versions, which are designed to provide the optimum solution for individual applications. These ruggedly constructed trucks incorporating tried and tested technology (lifting function etc.) and components, deliver consistent reliability in a unique combination that has already proven its worth with faster, safer load handling, as well as an extended working life in the toughest industrial environments.

### Service

The digital multifunction instrument display ensures the operator is always well informed. CAN bus connectivity enables all truck data to be transmitted to a laptop by the service technician. Easy accessibility of all components and maintenance-free AC technology also play an important role in maximising truck uptime.

Linde Material Handling

*Linde*

# Equipment

## Standard equipment

AP & SP platform

Linde OptiLift®: proportional control on the tiller

Power assisted steering with variable steering resistance

Positive steering (drive wheel) feedback

Automatic speed reduction when cornering

3 kW AC motor (maintenance free)

Electrohydraulic emergency brake acting proportionally to the load weight

Key switch or Log in PIN code (no extra)

Dedicated work station (with storage compartments)

CAN bus technology

Multifunction backlit instrument display: Safety alarm, maintenance check indicator, battery charge level, hour meter

Cushion drive wheel

Polyurethane single load wheels

Mast protection: polycarbonate or mesh wired (no extra)

Safe operator compartment with padded rests and cushioned full-suspension platform (SP)

Single handed Linde e-Driver® control (SP)

Self-centring steering (e-Driver®) (SP)

Folding stand-on platform with side guards (AP)

Protection -10°C

## Optional equipment

Overhead guard ((mandatory if lift height > 1,800 mm)

Load backrest (h = 1,000 mm)

Low speed option when initial lift lowered (Double stacker)

Soft landing of forks

Support for data terminal or barcode reader (Pack n°2)

Drive wheels: polyurethane, cushion non-marking or wet grip

Load wheels: tandem polyurethane, tandem polyurethane greasable

Cold store protection -35°C

Mobile and fixed battery stands (for side battery change)

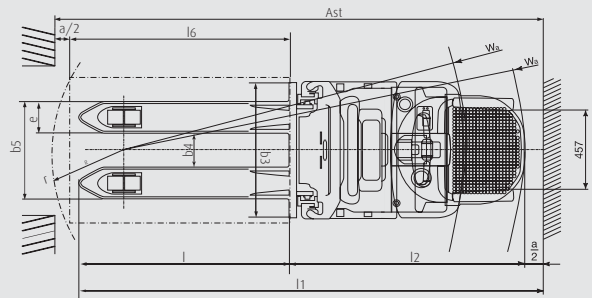
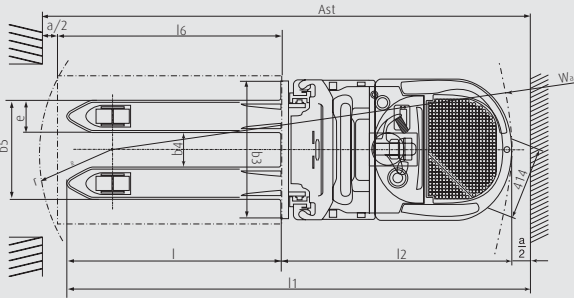
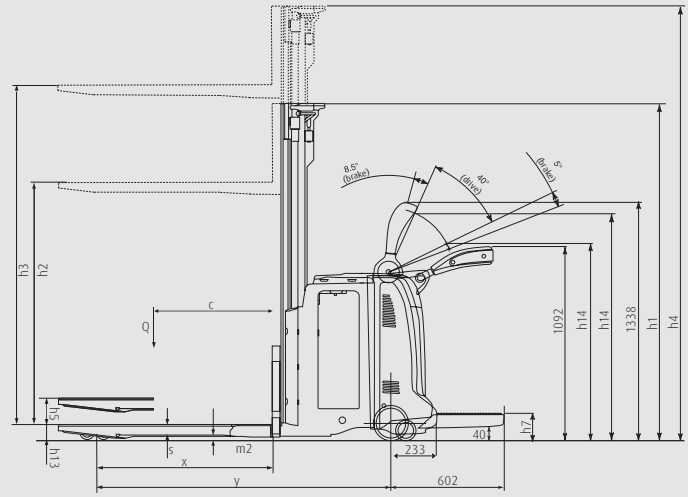
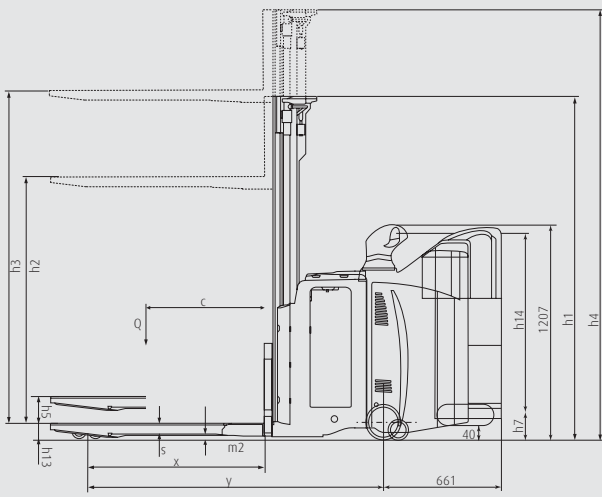
Other options available on request

# Technical data

	Model group	Stacker				
		L12	AP	L14		
Distinguishing mark	1.1	Manufacturer	LINDE			
	1.2	Manufacturer's type designation	SP	AP		
	1.3	Drive: electric (battery or mains), diesel, petrol, fuel gas	Battery	Battery	Battery	
	1.4	Operator type: hand, pedestrian, stand-on, seat-on, order-picker	Stand-on	Pedestrian/stand-on	Stand-on	
	1.5	Load capacity (on load arms)	Q (kg)	1200	1200	
	1.6	Load centre distance	c (mm)	600	600	
	1.8	Load distance, centre of drive axle to fork	x (mm)	760	760	
	1.9	Wheelbase, with initial lift lowered/lifted	y (mm)	1401 <sup>2)</sup>	1401 <sup>2)</sup>	
	Weight	2.1	Service weight (with battery item 6.5)	kg	1480	1360
2.2		Axle loading, laden front/rear	kg	1185 / 1485	1065 / 1485	
2.3		Axle loading, unladen front/rear	kg	1090 / 390	970 / 390	
Tyres, chassis	3.1	Tyres: solid rubber, superelastic, pneumatic, polyurethane	Cushion/Polyureth.	Cushion/Polyureth.	Cushion/Polyureth.	
	3.2	Tyre size, drive side (drive wheel)	Ø x l (mm)	Ø 254 x 102	Ø 254 x 102	
	3.3	Tyre size, load side	Ø x l (mm)	2x Ø 85 x 60	2x Ø 85 x 60	
	3.4	Auxiliary wheels (dimensions)	Ø x l (mm)	2x Ø 140 x 50	2x Ø 140 x 50	
	3.5	Wheels, number drive side/load side (x = driven wheels)		1x + 1/2	1x + 1/2	
	3.6	Tread, drive side	mm	470	470	
	3.7	Tread, load side	mm	380	380	
Dimensions	4.2	Height, mast lowered	h1 (mm)	1490	1490	
	4.3	Free lift	h2 (mm)	150	150	
	4.4	Lift	h3 (mm)	1924	1924	
	4.5	Height, mast extended	h4 (mm)	2460	2460	
	4.6	Initial lift	h5 (mm)	-	-	
	4.8	Seat height/stand height min./max.	h7 (mm)	160	160	
	4.9	Height of tiller in drive position min./max.	h14 (mm)	1160	1103 / 1287	
	4.15	Height, lowered	h13 (mm)	90	90	
	4.19	Overall length (± 5 mm)	l1 (mm)	2489 <sup>2)</sup>	2430 / 2061 <sup>1)2)</sup>	
	4.20	Length to face to forks (± 5 mm)	l2 (mm)	1339 <sup>2)</sup>	1280 / 911 <sup>1)2)</sup>	
	4.21	Overall width (± 5 mm)	b1 (mm)	790	790	
	4.22	Fork dimensions	s/e/l (mm)	55x180x1150	55x180x1150	
	4.23	Load arm dimensions	s/e/l (mm)	60x125x1119	60x125x1119	
	4.24	Fork-carrage width (± 5 mm)	b3 (mm)	780	780	
	Performance data	5.1	Travel speed, laden/unladen (±5%)	Km/h	10 / 10	10 / 10 (6/6) <sup>1)</sup>
5.2		Lift speed, laden/unladen (±10 mm)	m/s	0.11 / 0.22	0.11 / 0.22	
5.3		Lift speed (initial lift), laden/unladen (±10 mm)	m/s	-	-	
		Lowering speed, laden/unladen (±10 mm)	m/s	0.3 / 0.3	0.3 / 0.3	
5.8		Lowering speed (initial lift), laden/unladen (±10 mm)	m/s	-	-	
		Max. gradeability, laden/unladen	%	15 / 18	15 / 18	
5.9		Acceleration time, laden/unladen	s	1.53 / 1.40	1.53 / 1.40	
5.10		Service brake		Electrohydraulic	Electrohydraulic	
Electric-engine		6.1	Drive motor rating S2 60 min	kW	3	3
		6.2	Lift motor rating at S3 15%	kW	1.7	1.7
	6.3	Battery acc. To DIN 43531/35/36 A,B,C, no		DIN 43535 B	DIN 43535 B	
	6.4	Battery voltage, nominal capacity K <sub>5</sub>	V/Ah	24 / 240	24 / 240	
	6.5	Battery weight (±10%)	kg	295	295	
	6.6	Energy consumption acc. To VDI cycle	Ah	68	68	
Add. data	8.1	Type of drive control		LAC	LAC	
	8.4	Sound level at the driver's ear according to DIN 12053	dB(A)	<70	<70	
	Level of vibrations transmitted to driver (EN 13059)	m/s <sup>2</sup>	0.8	0.8		

Standard truck figures varying according to equipments  
<sup>1)</sup> Platform folded down  
<sup>2)</sup> Chassis with a 3PzS side battery change (+100 mm for a 3PzS vertical or 4PzS lateral; +150 mm for a 4PzS vertical battery change)





Pallet 800 x 1200 (along forks)

r (L) = 473

r = 595

Pallet 1000 x 1200 (across forks)

r (L) = 545

r = 666

$$Ast = Wa + \sqrt{(l6 - x)^2 + \left(\frac{b_{12}}{2}\right)^2} + a$$

$$AST = Wa + r + a$$

Safety clearance a = 200 mm

Mast type L12 / L14 (in mm)	1462 E	1612 E	1924 S	2424 S	2924 S	3324 S	3824 S	1924 D	2424 D	2924 D	3324 D	3824 D	3516 T	
Lift	<b>h3</b>	1462	1612	1924	2424	2924	3324	3824	1924	2424	2924	3324	3824	3516
Lift height at forks (lift + fork)	<b>h3+h13</b>	1548	1698	2010	2510	3010	3410	3910	2010	2510	3010	3410	3910	3602
Height mast, lowered	<b>h1</b>	1915	2065	1490	1740	1990	2190	2440	1415	1665	1915	2115	2365	1665
Height mast, extended	<b>h4</b>	1998	2148	2460	2960	3460	3860	4360	2460	2960	3460	3860	4360	4052
Free lift	<b>h2</b>	1379	1529	150	150	150	150	150	879	1129	1379	1579	1829	1129

Mast type L12L / L14L (in mm)	1462 E	1612 E	1924 S	2424 S	2924 S	3324 S	3824 S	1924 D	2424 D	2924 D	3324 D	3824 D	3516 T	
Lift	<b>h3</b>	1462	1612	1924	2424	2924	3324	3824	1924	2424	2924	3324	3824	3516
Lift height at forks (lift + fork)	<b>h3+h13</b>	1548	1698	2010	2510	3010	3410	3910	2010	2510	3010	3410	3910	3602
Height mast, lowered	<b>h1</b>	1915	2065	1490	1740	1990	2190	2440	1415	1665	1915	2115	2365	1665
Height mast, extended	<b>h4</b>	1998	2148	2460	2960	3460	3860	4360	2460	2960	3460	3860	4360	4052
Free lift	<b>h2</b>	1379	1529	150	150	150	150	150	879	1129	1379	1579	1829	1129

Mast type L12L HP (in mm)	1574 S	1574 D	1574 T	
Lift	<b>h3</b>	1574	1574	1574
Lift height at forks (lift + fork)	<b>h3+h13</b>	1660	1660	1660
Height mast, lowered	<b>h1</b>	1315	1240	1165
Height mast, extended	<b>h4</b>	2110	2110	2067
Free lift	<b>h2</b>	150	704	629

Mast type (in kg)	1462 E	1612 E	1924 S/D	2424 S/D	2924 S/D	h3+h13=3150mm	3324 S/D	3516 T	h3+h13=3700mm	3824 S/D
Residual capacity L12 (CdG 600)	1200	1200	1200	1200	1200		1200	<1200	1150	1035
Residual capacity L14 (CdG 600)	1400	1400	1400	1400	<1400	1300	1200	1150		1035

Mast type (in kg)	1462 E	1612 E	1924 S/D	2424 S/D	2924 S/D	h3+h13=3150mm	3324 S/D	3516 T	h3+h13=3700mm	3824 S/D
Residual capacity L12L (CdG 600)	1200	1200	1200	1200	1200		1200	1200	<1200	1150
Residual capacity L14L (CdG 600)	1400	1400	1400	1400	1400	<1400	1300		1250	1150

# Features

## Platform versions

### SP concept

- Operator is protected by wraparound steel profiles
- Perfect driving position at 45° angle with panoramic visibility, a secure and stable position
- Linde e-Driver®: Self-centring steering, ergonomic design matched to the 45° operator stance
- Optimum protection for both hands

### AP versions

- Foldable cushioned rider platform
- Integral side guards, platform folds up and down effortlessly

## Workstation

- Digital, multifunction, backlit instrument display informs the operator of key truck information
- Truck access by key switch or by PIN code (no-cost option)
- Generous storage compartments are conveniently located for shrink-wrap, work gloves, writing utensils, etc.



## Different drive systems

### L 12 LHP:

- Five wheel configuration
- High performance (HP) version
- Superb traction and stability
- Electronically controlled hydraulic-suspension active castor wheels
- Side battery change
- Mast height range up to 1,574 mm lift (S/D/T)

### L 12L, L 14L, L 12, L 14:

#### Four wheel configuration

- Excellent stability
- Vertical battery change as standard, optional side battery change
- Mast height range up to 3,824 mm lift (E/S/D/T)

## CAN bus connectivity

- Intelligent electronic management of all components for rapid and easy diagnosis
- All truck parameters can be configured by the service technician to match performance to individual applications

## OptiLift® control

- Intuitive controllability of the tiller (e-Driver®), as well as all lifting functions
- The proportional OptiLift® control brings quiet smoothness and precision
- Compact, energy efficient, high performance lift unit with no waste of energy



## AC motor & Energy

- Powerful, high torque drive motor, 3kW at 100% performance
- Moisture and dust-proof, maintenance-free motor
- No rollback on gradient starts
- Top speed of 10 km/h with or without a load; 6 km/h in pedestrian operation (AP)
- Wide range of batteries from 375 Ah (3 PzS) to 500 Ah (4 PzS)
- Battery locking system for side change option secures battery in compartment and simplifies battery changing

## Power steering

- Effortless, electric power steering
- Positive steering feedback for assured manoeuvring.
- Automatic speed reduction when cornering
- Steering effort varies according to the turning angle

## Brakes

### Automatic braking

- On releasing the traction butterfly, with no energy consumption
- By selecting opposite direction of travel

### Emergency brake

- Electro-hydraulic
- On pressing the emergency button or by stepping off the dead-man platform
- Hydraulic-assisted system, proportional to the load carried

Subject to change in the interests of progress. Illustrations and technical details non-binding. All dimensions subject to customary tolerance.

